

## Line laser, red, 650 nm, 90 °, 5 mW

LH650-5-3(15x68)90  
Order Number: 70124859

Main Parameters (*)	min	typ	max	Unit
Wavelength		650		nm
Optical Diode Power		5		mW
Operating Voltage	2.8	3	3.3	V DC
Operating Current		20		mA
Operating Temperature	-20		50	°C
Storage Temperature	-40		80	°C

### Main Data

Warranty	1 years
----------	---------

### Technical Parameters

Lifetime	> 3,000 h
RoHS	yes

### Optical Parameters

Beam Shape	Line
Laser Class	1
Divergence	H - 1.0 mrad
Fan Angle	90 °
Line Thickness	<2mm@2m
Operating Distance	2 m
Optics	acryl lense
Laser technology	Single Mode Diode
Protection Lens	yes
Focus	fixed (2000mm)

### Electrical Parameters

Potential of Housing	VDD(+)
----------------------	--------

### Mechanical Parameters

Size	Ø15x68 mm
Material	aluminium
Output Aperture	6 mm
Weight	25 g

(\*) Over the complete operating temperature range

## Features

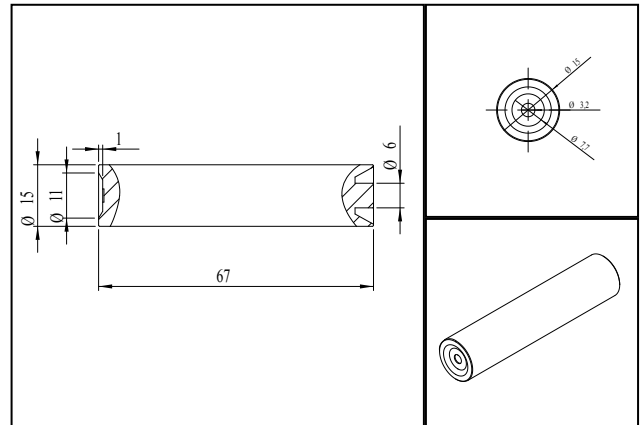


- Laser Class 1
- With battery
- With Pushbutton (no restfunction)

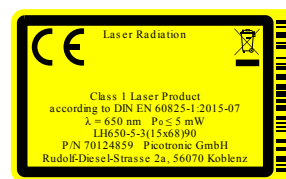
## Picture



## Drawing



## Safety Label



## Valid Revision

| 23-FEB-2021