

Single-Strand Roller Chains DIN ISO 606 (formerly DIN 8187)

Material: Special chain steels.

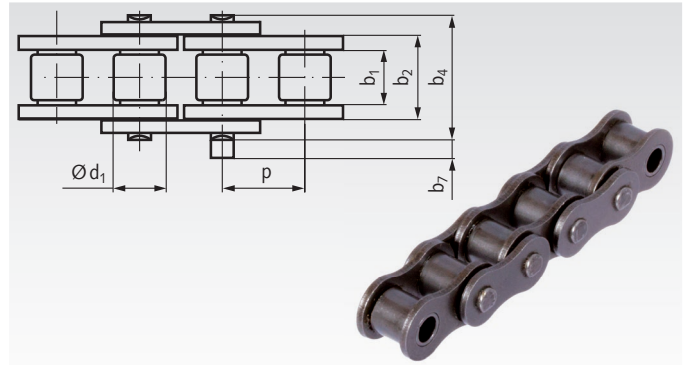
High-quality simplex roller chains, pre-stretched according to DIN.
Notes regarding the performance calculation on page 41.

Waisted link plates (size 06 with straight link plates).

Chains are supplied with an uneven number of links, with inner links at both ends. Connecting links must be ordered separately.

Temperature range: -20°C to +120°C.

Other temperatures are possible if special grease is used.



Ordering Details: e.g.: Product No. 100 000 00, Bush Chain, Single Strand, Pitch 4mm

DIN ISO-No.	Product No.	Pitch x Inner Width p x b _{1min}		Inner Width b ₂ mm	Roller- Ø d ₁ mm	Pin Ø mm	Width over Pin b ₄ mm	Projection over Link b ₇ ⁴⁾ mm	Breaking Load min. kN	Weight kg/m	
		mm	inch								
comp. Stand. ¹⁾	100 000 00 ¹⁾	4,0	x 2,7	-	4,10	2,50	1,65	7,0	0,9	1,8	0,08
03 ²⁾	100 300 00 ²⁾	5,0	x 2,5	-	4,15	3,20	1,49	7,4	2,5	2,2	0,10
04 ²⁾	100 600 00 ²⁾	6,0	x 2,8	-	4,10	4,00	1,85	7,4	2,9	3,0	0,12
05 B-1	100 800 00	8,0	x 3,0	-	4,77	5,00	2,31	8,6	3,1	4,4	0,18
06 B-1 ³⁾	101 000 00 ³⁾	9,525	x 5,72	3/8 x 7/32	8,53	6,35	3,28	13,5	3,3	8,9	0,41
081	102 000 00	12,7	x 3,3	1/2 x 1/8	5,80	7,75	3,66	10,2	1,5	8,0	0,28
083	103 000 00	12,7	x 4,88	1/2 x 3/16	7,90	7,75	4,09	12,9	1,5	11,6	0,42
comp. Stand.	103 400 00	12,7	x 4,88	1/2 x 3/16V	9,30	7,75	4,18	14,4	1,5	17,5	0,59
08 B-1	105 000 00	12,7	x 7,75	1/2 x 5/16	11,30	8,51	4,45	17,0	3,9	17,8	0,70
10 B-1	106 000 00	15,875	x 9,65	5/8 x 3/8	13,28	10,16	5,08	19,6	4,1	22,2	0,95
12 B-1	107 000 00	19,05	x 11,68	3/4 x 7/16	15,62	12,07	5,72	22,7	4,6	28,9	1,25
16 B-1	108 000 00	25,4	x 17,02	1" x 17,02mm	25,45	15,88	8,28	36,1	5,4	60,0	2,60
20 B-1	109 000 00	31,75	x 19,56	1 1/4 x 3/4	29,01	19,05	10,19	43,2	6,1	95,0	3,70
24 B-1	110 000 00	38,1	x 25,4	1 1/2 x 1	37,92	25,40	14,63	53,4	6,6	160,0	6,90

¹⁾ Bush Chain (without rollers).

²⁾ This size is not part of the DIN.

³⁾ With straight links plates.

⁴⁾ Maximum values at the connecting link.

Attention please: Packing Unit 5m

If special lengths are needed, please tell us the length and the number of links (uneven number!).
Connecting links have to be ordered separately.

Connecting Links for Single-Strand Roller Chains DIN ISO 606 (formerly DIN 8187)

Material: Special chain steels. **Attention please:** Product numbers marked with * are in packing units of 5 pieces.

Ordering Details: e.g.: Product No. 100 303 00, Connecting Link No. 11/E, 03



DIN ISO No.	Product No. Connecting Link No. 11/E	Weight g	Product No. Connecting Link No. 10/S	Weight g	Product No. Cranked Link No. 12/L ³⁾	Weight g	Product No. Cranked Double No. 15/C ³⁾	Weight g	Product No. Inner Link No. 4/B	Weight g
Company Std. ¹⁾	-	-	100 002 00	0,4	-	-	-	-	-	-
03	100 303 00	0,4	-	-	-	-	-	0,8	100 301 00	0,5
04	100 603 00*	0,6	-	-	-	-	100 605 00	1,4	100 601 00	0,8
05 B-1	100 803 00*	2	-	-	-	-	100 805 00	2	100 801 00	1,4
06 B-1	101 003 00*	4	-	-	101 004 00	4	101 005 00	9	101 001 00	4
081	102 003 00*	4	-	-	102 004 00	4	102 005 00	8	102 001 00	4
083	103 003 00*	5	-	-	103 004 00	6	103 005 00	11	103 001 00	5
Company Std. ²⁾	103 403 00	6	-	-	103 404 00	8	103 405 00	14	103 401 00	6
08 B-1	105 003 00*	9	-	-	105 004 00	9	105 005 00	18	105 001 00	9
10 B-1	106 003 00*	13	106 002 00	12	106 004 00	15	106 005 00	31	106 001 00	16
12 B-1	107 003 00*	21	-	-	107 004 00	24	107 005 00	48	107 001 00	25
16 B-1	108 003 00	66	108 002 00	64	108 004 00	80	108 005 00	140	108 001 00	79
20 B-1	109 003 00	115	109 002 00	108	109 004 00	145	109 005 00	279	109 001 00	129
24 B-1	-	-	110 002 00	286	110 004 00	293	-	-	110 001 00	268

* Delivery in packing units of 5 pieces.

¹⁾ Pitch 4 mm for chain 100 000 00.

²⁾ Pitch 12.7 mm for chain 103 400 00.

³⁾ With cranked links power and breaking load are reduced by 20%.