

Description

The Arduino GIGA R1 WiFi brings the power of the STM32H7 to the Mega form factor, being the first Mega board to include onboard Wi-Fi® and Bluetooth® connectivity. The board provides 76 digital inputs/outputs (12 with PWM capability), 14 analog inputs and 2 analog outputs (DAC) all easily accessible via pin headers. The STM32 microprocessor with dual-core Cortex® M7 and Cortex® M4, together with onboard memory and audio jack enables you to perform machine learning and signal processing on the edge.

Target Areas

3D printing, Signal Processing, Maker, Robotics



Features

- **STM32H747XIH6** Microcontroller
 - Dual-core
 - 32-bit Arm® Cortex®-M7 core with double-precision FPU and L1 cache up to 480 MHz
 - 32-bit Arm® 32-bit Cortex®-M4 core with FPU up to 240 MHz
 - Full set of DSP instructions
 - Memory Protection Unit (MPU)
- **Murata® 1DX** Wi-Fi®/Bluetooth® Module
 - Wi-Fi® 802.11b/g/n 65 Mbps
 - Bluetooth® Low Energy (version 5.X via Cordio stack, version 4.2 via Arduino Stack)
 - Micro UFL connector for external antenna
- **Memory**
 - **STM32H747XI**
 - 2 MB Flash
 - 1 MB RAM
 - **AT25SF128A-MHB-T**
 - 16 MB NOR Flash
 - QSPI Interface
 - **AS4C4M16SA**
 - 8 MB SDRAM
- **I/O**
 - Digital I/O Pins: 76
 - Analog input pins: 12
 - PWM pins: 12
 - Analog output pins (DAC0/DAC1): 2
 - USB Host: USB 2.0 A
 - USB Peripheral: USB-C®
 - Logic level: 3.3V
 - VRTC: To power the RTC while the board is off
 - OFF pin: To turn off the board
- **Communication**
 - 4x UART
 - 3x I2C
 - 2x SPI
 - 1x CAN (an external transceiver is required)
- **Secure Element** ATECC608A-MAHDA-T Module



- **USB**
 - **USB Host** USB 2.0 Type A
 - Host
 - **USB Peripheral** USB-C®
 - Programming Port
 - HID
- **Connectors**
 - Camera: 20 pin Arducam camera connector
 - Display: D1N, D0N, D1P, D0P, CKN, CKP, D68-D75
 - Audio jack: DAC0, DAC1, A7
 - JTAG connector
- **Power**
 - Circuit operating voltage: 3.3V
 - Input voltage (VIN): 6-24V
 - DC Current per I/O Pin: 8 mA



Contents

1 Application Examples	6
2 Accessories	6
3 Related Products	7
4 Recommended Operating Conditions	7
5 Block Diagram	8
6 Board Topology	9
6.1 Front View	9
6.2 Back View	10
7 Processor	10
8 Wi-Fi®/Bluetooth® Connectivity	10
9 Onboard Memories	11
10 USB Connector	11
11 Audio	11
12 Power Tree	12
13 Board Operation	13
13.1 Getting Started - IDE	13
13.2 Getting Started - Arduino Web Editor	13
13.3 Getting Started - Arduino IoT Cloud	13
13.4 Online Resources	13
13.5 Board Recovery	13
14 Pinout	14
14.1 Three-Pins Header - J1	14
14.2 Analog	14
14.3 Digital	15
14.4 STM32 ICSP	16
14.5 Digital Pins D22 - D53 LHS	16
14.6 Digital Pins D22 - D53 RHS	17
15 Mounting Holes And Board Outline	17
16 Declaration of Conformity CE DoC (EU)	19
17 Declaration of Conformity to EU RoHS & REACH 211 01/19/2021	4
18 Conflict Minerals Declaration	20
19 FCC Caution	20
20 Company Information	21
21 Reference Documentation	21





The Board

1 Application Examples

The GIGA R1 WiFi combines the best of the Portenta H7 and the Mega 2560. A generous amount of I/O easily accessible via pins allows for easy and fast testing of new ideas and solutions. The STM32H7 has ample power to handle machine-learning tasks. Your IoT projects can even benefit from the Arduino IoT Cloud with the help of the onboard secure element and its wireless connectivity.

- **3D Printing:** The Mega form factor has been very popular for creating 3D printers. Connect sensors to the high-resolution ADC interfaces for high-performance sensing of the 3D printing process. Together with the dual-core computing power, control the printing process like never before. Monitor filament usage and print status locally over Bluetooth® or from anywhere in the world with the Arduino IoT Cloud, or any other third-party service, and its Wi-Fi® features.
- **Audio Processing:** The GIGA R1 WiFi provides a 3.5 mm audio input/output to easily interact with audio signals in the environment. Analyse and create audio signals directly on the board. Connect a microphone and control a wide range of digital and analog devices. Create your own musical instrument and change the note through the various inputs. Create an online concert with the Arduino IoT Cloud or any other third-party service and connect with people all over the world.
- **Data acquisition device:** Thanks to the numerous analog inputs, including the jack connector (J15) and the two DAC outputs with a resolution up to 12 bits, you can create your own data acquisition device. Make your own multimeter or even an oscilloscope and create an online dashboard with the Arduino IoT Cloud or any other third-party service. Design your own electrochemical experiments, apply custom current/voltage waveforms and check the status of your experiment from the comfort of your home.

2 Accessories

- Micro UFL antenna (Included)
- USB-C® cable (Not included)
- USB 2.0 Type-A cable (Not included)



3 Related Products

- Arduino Mega Proto Shield Rev3 (A000080)
- Arduino 4 Relays Shield (A000110)
- Arduino Motor Shield Rev3 (A000079)

Rating

4 Recommended Operating Conditions

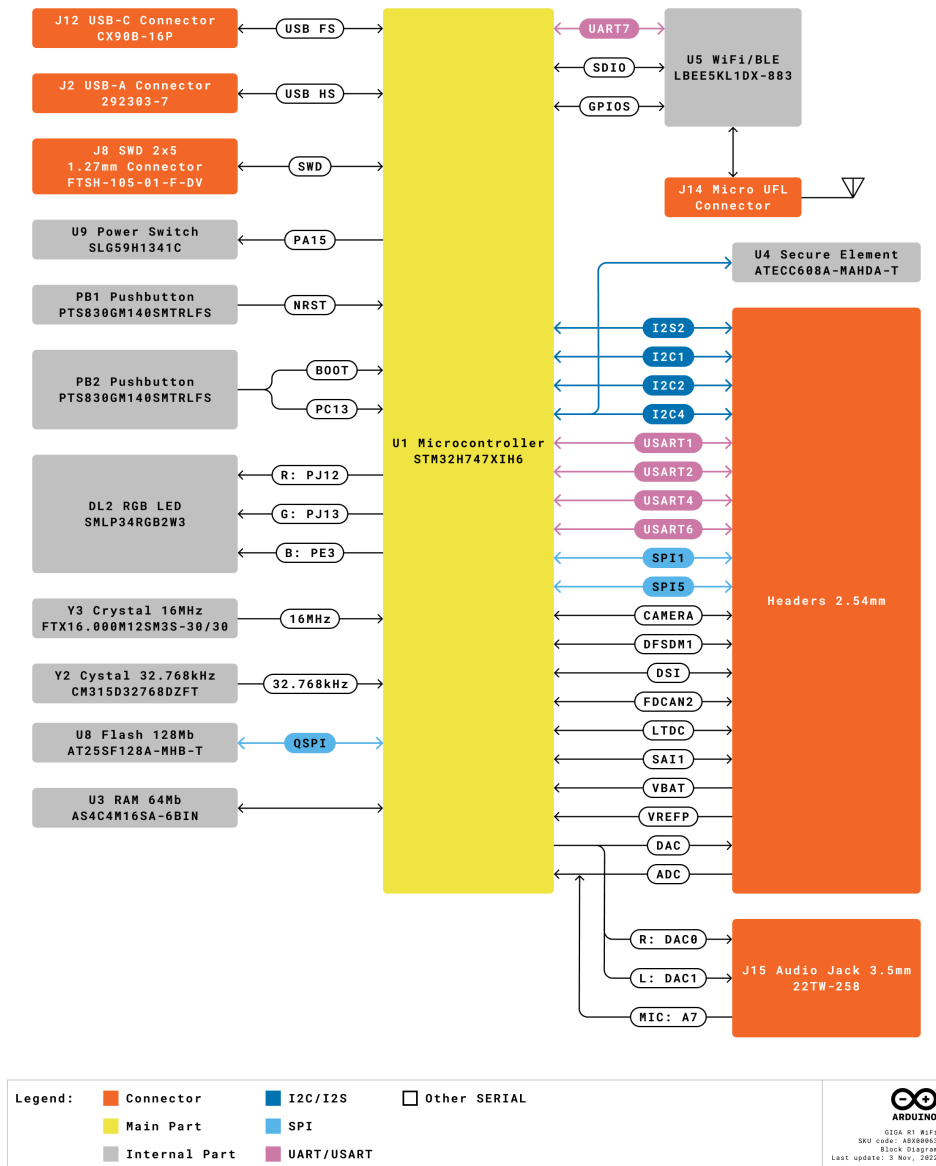
Symbol	Description	Min	Typ	Max	Unit
V_{IN}	Input voltage from VIN pad	6	7.0	32	V
V_{USB}	Input voltage from USB connector	4.8	5.0	5.5	V
V_{DD}	Input high-level voltage	$0.7 \cdot V_{DD}$		V_{DD}	V
V_{IL}	Input low-level voltage	0		$0.3 \cdot V_{DD}$	V
T_{OP}	Operating Temperature	-40	25	85	°C

Note: V_{DD} controls the logic level and is connected to the 3.3V power rail. V_{AREF} is for the analog logic.



Functional Overview

5 Block Diagram

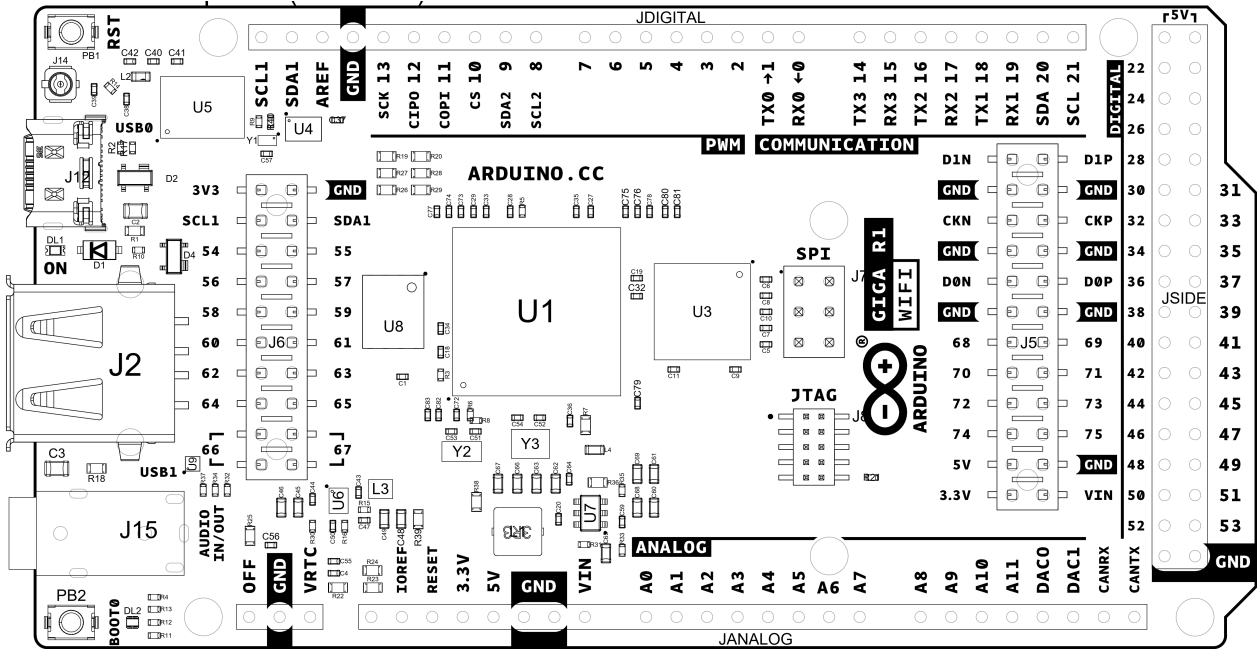


Arduino GIGA R1 WiFi Block Diagram



6 Board Topology

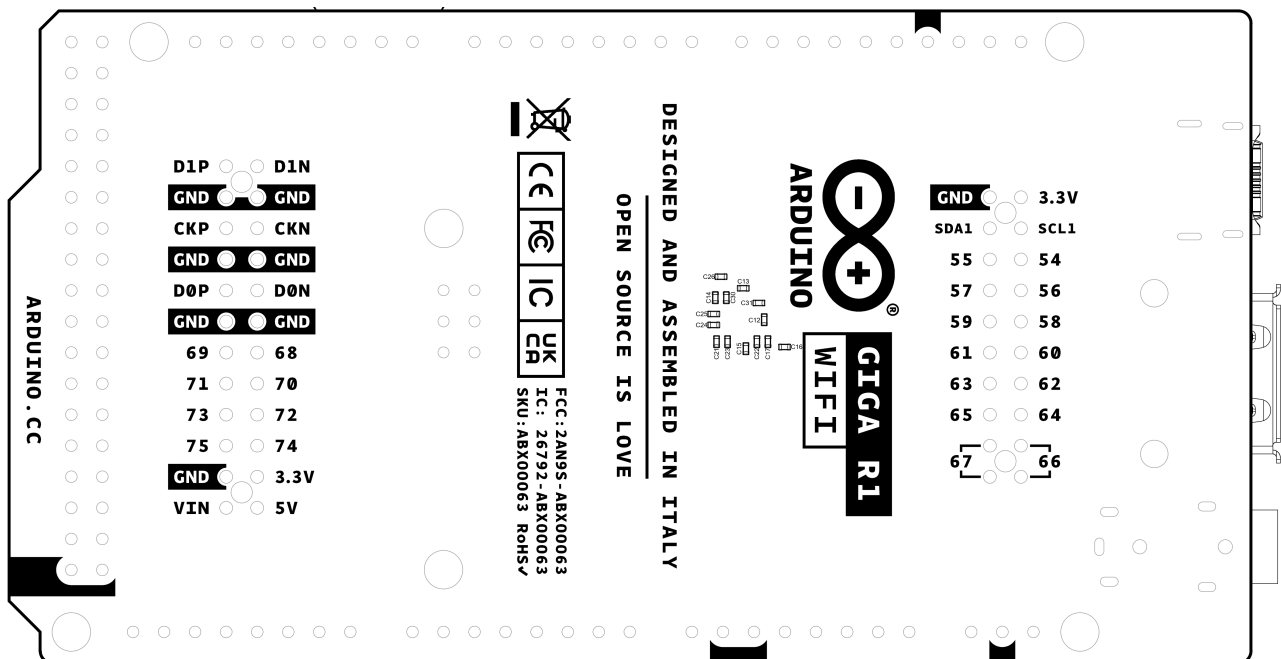
6.1 Front View



Top View of Arduino GIGA R1 WiFi

Ref.	Description	Ref.	Description
U1	STM32H7 Dual Core Microcontroller IC	U8	AT25SF128A-MHB-T 16 MB Flash IC
U3	AS4C4M16SA 8MB SDRAM IC	U4	ATECC608A-MAHDA-T Secure Element IC
U5	LBE5KL1DX-883 Wi-Fi/Bluetooth® Module	U6	MP2322GQH Buck Converter 3.3V IC
U7	MP2269GD-Z Buck Converter 5V IC	JANALOG	Analog input/output headers
JDIGITAL	Digital input/output headers	JSIDE	Digital input/output headers
SPI	SPI headers	JTAG	JTAG Headers
J2	USB 2.0 A Host	J15	3.5 mm audio in/out
PB1	RESET Button	PB2	BOOT0 button
J14	Micro UFL connector	J5	Camera
J6	Camera	DL1	Power LED
DL2	RGB SMLP34RGB2W3 Common anode LED	J12	CX90B-16P USB-C® connector

6.2 Back View



Back View of Arduino GIGA R1 WiFi

7 Processor

The GIGA R1 WiFi's main processor is the dual-core STM32H747 (U1) including a Cortex® M7 running at 480 MHz and a Cortex® M4 running at 240 MHz. The two cores communicate via a *Remote Procedure Call* mechanism that allows calling functions between each processor seamlessly.

8 Wi-Fi®/Bluetooth® Connectivity

The Murata® LBEE5KL1DX-883 wireless module (U5) simultaneously provides Wi-Fi® and Bluetooth® connectivity in an ultra-small package based on the Cypress CYW4343W. The IEEE802.11 b/g/n Wi-Fi® interface can be operated as an access point (AP), station (STA) or as a dual mode simultaneous AP/STA and supports a maximum transfer rate of 65 Mbps. Bluetooth® interface supports Bluetooth® Classic and Bluetooth® Low Energy. An integrated antenna circuitry switch allows a single external antenna (J14) to be shared between Wi-Fi® and Bluetooth®.



9 Onboard Memories

The GIGA R1 WiFi supplements the 2 MB Flash and 1 MB SRAM on the STM32H747 (U1) with 16 MB of NOR Flash with the AT25SF128A-MHB-T (U8) as well as 8 MB of SDRAM with the AS4C4M16SA (U3). U8 connects over a Quad-SPI interface to the main processor (U1). U3 operates at a frequency of 166 MHz.

10 USB Connector

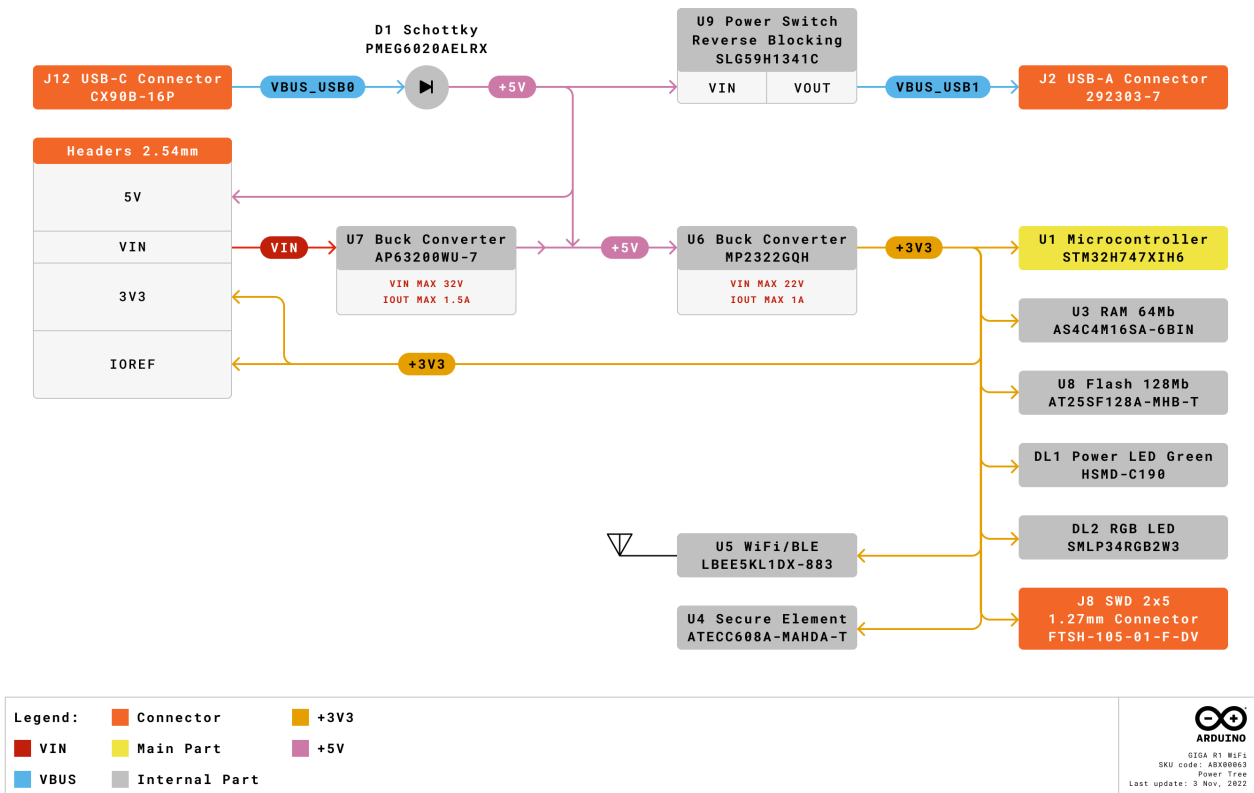
Two USB ports are provided on the Arduino GIGA R1 WiFi. One USB 2.0 type A (J2) and a USB-C® (J12). The USB 2.0 connector allows external devices to be connected as peripherals, while the USB-C® connector allows the GIGA board to be connected as a peripheral for other devices. Note that super speed pins on the USB-C® connector (J12) are unpopulated. A TVS diode array is placed on the VBUS of each connector (D4, D2) for ESD protection purposes.

11 Audio

The STM32H7 (U1) has two digital-to-analog converters (DAC) which drive the stereo audio output on the 3.5 mm jack connector (J15). Each DAC has a resolution of up to 12 bits. The right and left channels are also accessible via pins DAC0 and DAC1 respectively. A microphone input is also present on the jack connector (J15), which is shared with analog pin A7. The *Buffered mode* in the STM32H7 can allow for low-impedance output while *Sample and hold* functionality can help to reduce power consumption. Up to 10 mega samples per second are supported.



12 Power Tree



Arduino GIGA R1 WiFi Power Tree

Power can either be supplied via the VIN pins, or the 5V of the USB connectors (J2, J12). If power is supplied via VIN, the MP2269GD-Z (U7) buck converter steps the voltage down to 5V. The 5V power rail is then stepped down to 3.3V by the MP2322GQH (U6) buck converter. The logic level of components on the Arduino GIGA R1 WiFi is 3.3V.



13 Board Operation

13.1 Getting Started - IDE

If you want to program your GIGA R1 WiFi while offline you need to install the Arduino® Desktop IDE **[1]**. To connect the GIGA R1 WiFi to your computer, you will need a Type-C® USB cable, which can also provide power to the board, as indicated by the LED (DL1).

13.2 Getting Started - Arduino Web Editor

All Arduino boards, including this one, work out-of-the-box on the Arduino® Web Editor **[2]**, by just installing a simple plugin.

The Arduino Web Editor is hosted online, therefore it will always be up-to-date with the latest features and support for all boards. Follow **[3]** to start coding on the browser and upload your sketches onto your board.

13.3 Getting Started - Arduino IoT Cloud

All Arduino IoT enabled products are supported on Arduino IoT Cloud which allows you to log, graph and analyze sensor data, trigger events, and automate your home or business.

13.4 Online Resources

Now that you have gone through the basics of what you can do with the board you can explore the endless possibilities it provides by checking exciting projects on ProjectHub **[4]**, the Arduino Library Reference **[5]**, and the online store **[6]**; where you will be able to complement your board with sensors, actuators and more.

13.5 Board Recovery

All Arduino boards have a built-in bootloader which allows flashing the board via USB. In case a sketch locks up the processor and the board is not reachable anymore via USB, it is possible to enter bootloader mode by double-tapping the reset button right after the power-up.



Mechanical Information

14 Pinout

14.1 Three-Pins Header - J1

Pin	Function	Type	Description
1	OFF	Digital	3V3 Enable Pin (U6)
2	GND	Power	Ground
3	VRTC	Reset	Real Time Clock Battery

14.2 Analog

Pin	Function	Type	Description
1	NC	NC	Not Connected
2	IOREF	IOREF	Reference for digital logic V - connected to 3.3V
3	Reset	Reset	Reset
4	+3V3	Power	+3V3 Power Rail
5	+5V	Power	+5V Power Rail
6	GND	Power	Ground
7	GND	Power	Ground
8	VIN	Power	Voltage Input
9	A0	Analog	Analog input 0 /GPIO
10	A1	Analog	Analog input 1 /GPIO
11	A2	Analog	Analog input 2 /GPIO
12	A3	Analog	Analog input 3 /GPIO
13	A4	Analog	Analog input 4 /GPIO
14	A5	Analog	Analog input 5 /GPIO
15	A6	Analog	Analog input 6 /GPIO
16	A7	Analog	Analog input 7 /GPIO
17	A8	Analog	Analog input 8 /GPIO
18	A9	Analog	Analog input 9 /GPIO
19	A10	Analog	Analog input 10 /GPIO
20	A11	Analog	Analog input 11 /GPIO
21	DAC0	Analog	Digital to Analog Converter 0
22	DAC1	Analog	Digital to Analog Converter 1
23	CANRX	Digital	CAN Bus Receive
24	CANTX	Digital	CAN Bus Transfer



14.3 Digital

Pin	Function	Type	Description
1	D21/SCL1	Digital	GPIO 21/I2C 1 Clock
2	D20/SDA1	Digital	GPIO 20/I2C 1 Dataline
3	AREF	Digital	Analog Reference Voltage
4	GND	Power	Ground
5	D13/SCK	Digital	GPIO 13/SPI Clock
6	D12/CIPO	Digital	GPIO 12/SPI Controller In Peripheral Out
7	D11/COPI	Digital	GPIO 11/SPI Controller Out Peripheral In
8	D10/CS	Digital	GPIO 10/SPI Chip Select
9	D9/SDA2	Digital	GPIO 9/I2C 2 Dataline
10	D8/SCL2	Digital	GPIO 8/I2C 2 Clockline
11	D7	Digital	GPIO 7
12	D6	Digital	GPIO 6
13	D5	Digital	GPIO 5
14	D4	Digital	GPIO 4
15	D3	Digital	GPIO 3
16	D2	Digital	GPIO 2
17	D1/TX0	Digital	GPIO 1 / Serial 0 Transmitter
18	D0/TX0	Digital	GPIO 0 / Serial 0 Receiver
19	D14/TX3	Digital	GPIO 14 / Serial 3 Transmitter
20	D15/RX3	Digital	GPIO 15 / Serial 3 Receiver
21	D16/TX2	Digital	GPIO 16 / Serial 2 Transmitter
22	D17/RX2	Digital	GPIO 17 / Serial 2 Receiver
23	D18/TX1	Digital	GPIO 18 / Serial 1 Transmitter
24	D19/RX1	Digital	GPIO 19 / Serial 1 Receiver
25	D20/SDA	Digital	GPIO 20 / I2C 0 Dataline
26	D21/SCL	Digital	GPIO 21 / I2C 0 Clock



14.4 STM32 ICSP

Pin	Function	Type	Description
1	CIPO	Internal	Controller In Peripheral Out
2	+5V	Internal	Power Supply of 5V
3	SCK	Internal	Serial Clock
4	COPI	Internal	Controller Out Peripheral In
5	RESET	Internal	Reset
6	GND	Internal	Ground

14.5 Digital Pins D22 - D53 LHS

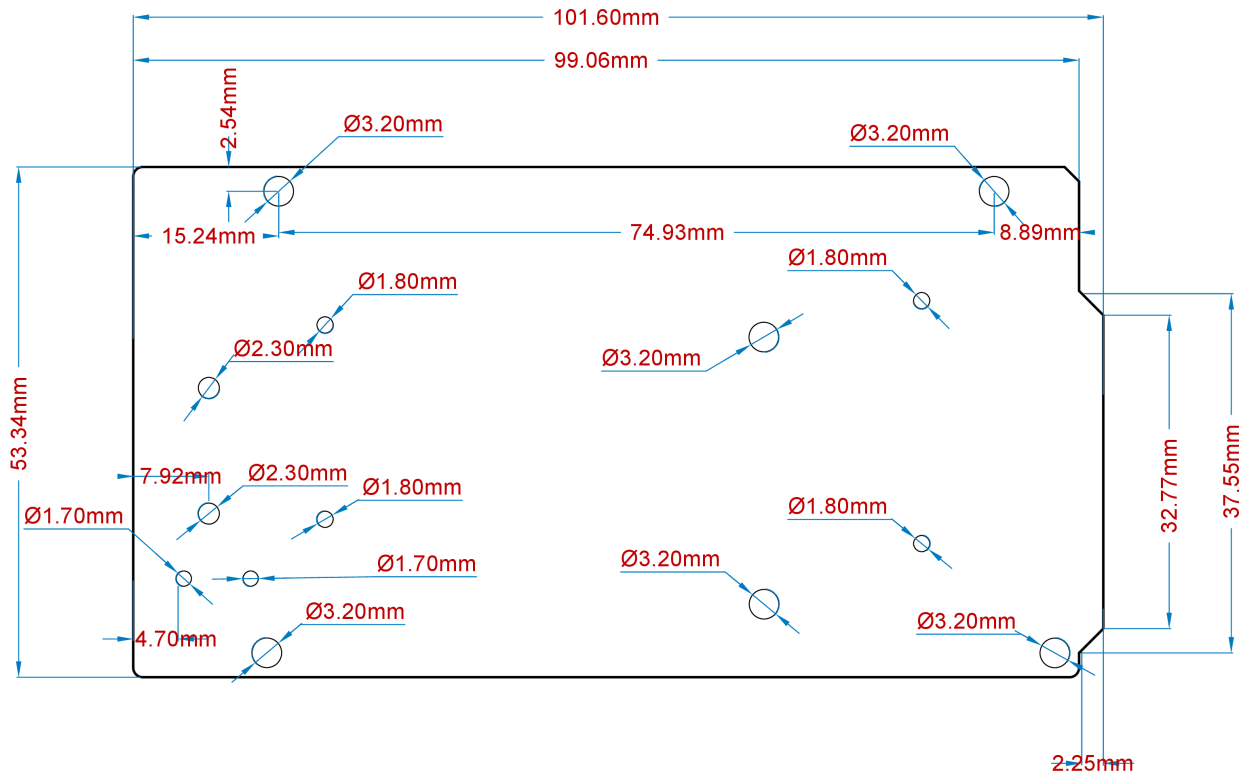
Pin	Function	Type	Description
1	+5V	Power	+5V Power Rail
2	D22	Digital	GPIO 22
3	D24	Digital	GPIO 24
4	D26	Digital	GPIO 26
5	D28	Digital	GPIO 28
6	D30	Digital	GPIO 30
7	D32	Digital	GPIO 32
8	D34	Digital	GPIO 34
9	D36	Digital	GPIO 36
10	D38	Digital	GPIO 38
11	D40	Digital	GPIO 40
12	D42	Digital	GPIO 42
13	D44	Digital	GPIO 44
14	D46	Digital	GPIO 46
15	D48	Digital	GPIO 48
16	D50	Digital	GPIO 50
17	D52	Digital	GPIO 52
18	GND	Power	Ground



14.6 Digital Pins D22 - D53 RHS

Pin	Function	Type	Description
1	+5V	Power	+5V Power Rail
2	D23	Digital	GPIO 23
3	D25	Digital	GPIO 25
4	D27	Digital	GPIO 27
5	D29	Digital	GPIO 29
6	D31	Digital	GPIO 31
7	D33	Digital	GPIO 33
8	D35	Digital	GPIO 35
9	D37	Digital	GPIO 37
10	D39	Digital	GPIO 39
11	D41	Digital	GPIO 41
12	D43	Digital	GPIO 43
13	D45	Digital	GPIO 45
14	D47	Digital	GPIO 47
15	D49	Digital	GPIO 49
16	D51	Digital	GPIO 51
17	D53	Digital	GPIO 53
18	GND	Power	Ground

15 Mounting Holes And Board Outline





Mechanical View of Arduino GIGA R1 WiFi



Certifications

16 Declaration of Conformity CE DoC (EU)

We declare under our sole responsibility that the products above are in conformity with the essential requirements of the following EU Directives and therefore qualify for free movement within markets comprising the European Union (EU) and European Economic Area (EEA).

17 Declaration of Conformity to EU RoHS & REACH 211 01/19/2021

Arduino boards are in compliance with RoHS 2 Directive 2011/65/EU of the European Parliament and RoHS 3 Directive 2015/863/EU of the Council of 4 June 2015 on the restriction of the use of certain hazardous substances in electrical and electronic equipment.

Substance	Maximum Limit (ppm)
Lead (Pb)	1000
Cadmium (Cd)	100
Mercury (Hg)	1000
Hexavalent Chromium (Cr6+)	1000
Poly Brominated Biphenyls (PBB)	1000
Poly Brominated Diphenyl ethers (PBDE)	1000
Bis(2-Ethylhexyl} phthalate (DEHP)	1000
Benzyl butyl phthalate (BBP)	1000
Dibutyl phthalate (DBP)	1000
Diisobutyl phthalate (DIBP)	1000

Exemptions : No exemptions are claimed.

Arduino Boards are fully compliant with the related requirements of European Union Regulation (EC) 1907 /2006 concerning the Registration, Evaluation, Authorization and Restriction of Chemicals (REACH). We declare none of the SVHCs (<https://echa.europa.eu/web/guest/candidate-list-table>), the Candidate List of Substances of Very High Concern for authorization currently released by ECHA, is present in all products (and also package) in quantities totaling in a concentration equal or above 0.1%. To the best of our knowledge, we also declare that our products do not contain any of the substances listed on the "Authorization List" (Annex XIV of the REACH regulations) and Substances of Very High Concern (SVHC) in any significant amounts as specified by the Annex XVII of Candidate list published by ECHA (European Chemical Agency) 1907 /2006/EC.



18 Conflict Minerals Declaration

As a global supplier of electronic and electrical components, Arduino is aware of our obligations with regards to laws and regulations regarding Conflict Minerals, specifically the Dodd-Frank Wall Street Reform and Consumer Protection Act, Section 1502. Arduino does not directly source or process conflict minerals such as Tin, Tantalum, Tungsten, or Gold. Conflict minerals are contained in our products in the form of solder, or as a component in metal alloys. As part of our reasonable due diligence Arduino has contacted component suppliers within our supply chain to verify their continued compliance with the regulations. Based on the information received thus far we declare that our products contain Conflict Minerals sourced from conflict-free areas.

19 FCC Caution

Any Changes or modifications not expressly approved by the party responsible for compliance could void the user's authority to operate the equipment.

This device complies with part 15 of the FCC Rules. Operation is subject to the following two conditions:

- (1) This device may not cause harmful interference
- (2) this device must accept any interference received, including interference that may cause undesired operation.

FCC RF Radiation Exposure Statement:

1. This Transmitter must not be co-located or operating in conjunction with any other antenna or transmitter.
2. This equipment complies with RF radiation exposure limits set forth for an uncontrolled environment.
3. This equipment should be installed and operated with a minimum distance of 20 cm between the radiator & your body.

English: User manuals for licence-exempt radio apparatus shall contain the following or equivalent notice in a conspicuous location in the user manual or alternatively on the device or both. This device complies with Industry Canada licence-exempt RSS standard(s). Operation is subject to the following two conditions:

- (1) this device may not cause interference
- (2) this device must accept any interference, including interference that may cause undesired operation of the device.

French: Le présent appareil est conforme aux CNR d'Industrie Canada applicables aux appareils radio exempts de licence. L'exploitation est autorisée aux deux conditions suivantes :

- (1) l'appareil n' doit pas produire de brouillage
- (2) l'utilisateur de l'appareil doit accepter tout brouillage radioélectrique subi, même si le brouillage est susceptible d'en compromettre le fonctionnement.

IC SAR Warning:

English This equipment should be installed and operated with a minimum distance of 20 cm between the radiator and your body.



French: Lors de l'installation et de l'exploitation de ce dispositif, la distance entre le radiateur et le corps est d'au moins 20 cm.

Important: The operating temperature of the EUT can't exceed 85°C and shouldn't be lower than -40°C.

Hereby, Arduino S.r.l. declares that this product is in compliance with essential requirements and other relevant provisions of Directive 201453/EU. This product is allowed to be used in all EU member states.

Frequency bands	Maximum output power (ERP)
2.4 GHz, 40 channels	TBD

20 Company Information

Company name	Arduino SRL
Company Address	Via Andrea Appiani, 25 - 20900 MONZA Italy)

21 Reference Documentation

Ref	Link
Arduino IDE (Desktop)	https://www.arduino.cc/en/Main/Software
Arduino IDE (Cloud)	https://create.arduino.cc/editor
Cloud IDE Getting Started	https://docs.arduino.cc/cloud/web-editor/tutorials/getting-started/getting-started-web-editor
Project Hub	https://create.arduino.cc/projecthub?by=part&part_id=11332&sort=trending
Library Reference	https://github.com/arduino-libraries/
Online Store	https://store.arduino.cc/

22 Change Log

Date	Changes
03/02/2023	Release