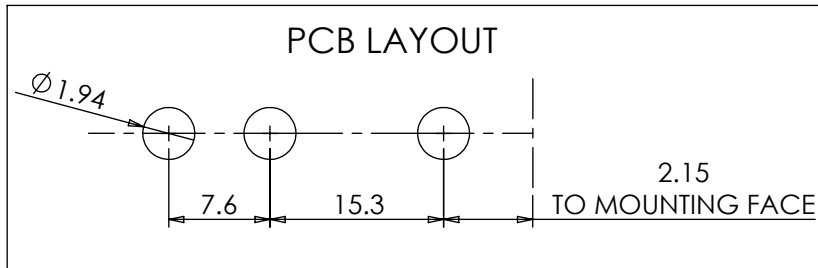
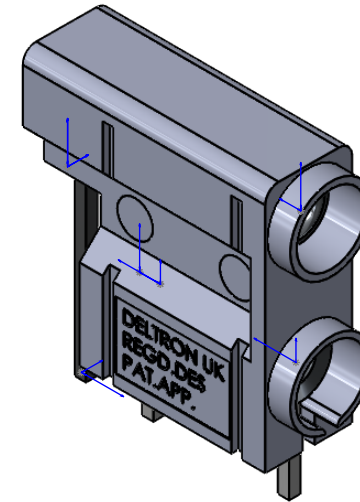


90° PCB MOUNTED INSULATED SOCKET - DOUBLE

A DOUBLE INSULATED 4mm SOCKET, FOR DIRECT MOUNTING ONTO PRINTED CIRCUIT BOARDS. HAS GROOVES ON THE OUTER HOUSING WHICH PROVIDE SIDE STACKING ALIGNMENT

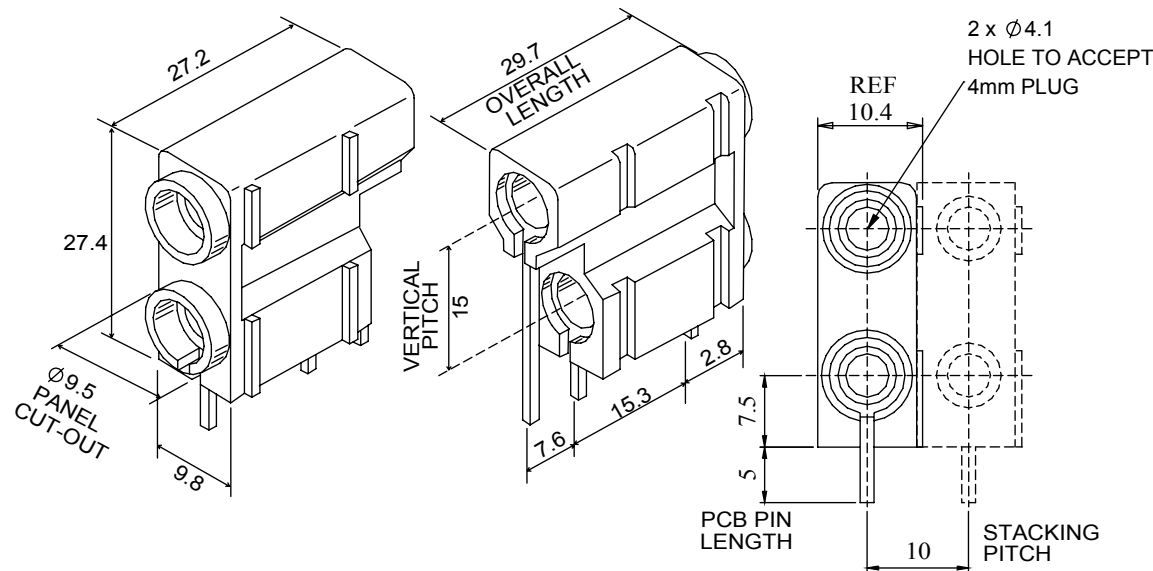
COMPONENT COMPLIES WITH 260° J-STD-075
NON-IC ELECTRONIC COMPONENTS STANDARD MET PSL W4



PRODUCT INFORMATION AND RATINGS 572 RANGE, 4mm PCB DOUBLE SOCKET

INSULANT	ACETAL
PIN	BRASS, SILVER PLATE
BUSH	BRASS, SILVER PLATE
AMPS	10A
WORKING VOLTAGE	50V
CONTACT RESISTANCE	10mΩ
MAXIMUM TEMPERATURE RTI	+110°C
MINIMUM TEMPERATURE	-25°C
RECOMMENDED TEMPERATURE	10A @ 55°C
VOLTAGE BREAKDOWN	5000V
RECOMMENDED CONDUCTOR SIZE	1.5mm²
COLOURS	ORDER CODE
BLACK	572-0100
BLUE	572-0200
BROWN	572-0300
GREEN	572-0400
RED	572-0500
WHITE	572-0600
YELLOW	572-0700

DIMENSIONS



PROPRIETARY AND CONFIDENTIAL:
THE INFORMATION CONTAINED IN THIS DRAWING IS THE SOLE PROPERTY OF ALPHA 3 MANUFACTURING. ANY REPRODUCTION IN PART OR AS A WHOLE WITHOUT THE WRITTEN PERMISSION OF ALPHA 3 MANUFACTURING IS PROHIBITED.
DEM Manufacturing is a division of Alpha 3 Manufacturing LTD
DEM Manufacturing, Deltron Emcon House, Hargreaves Way, Sawcliffe Ind. Park, Scunthorpe, North Lincolnshire, DN15 8RF, UK

UNLESS OTHERWISE SPECIFIED DIMENSIONS ARE IN MILLIMETRES
LINEAR & RADIAL TOLERANCE:
NO DECIMAL PLACES ±0.2mm
1 DECIMAL PLACE ±0.1mm
2 DECIMAL PLACES ±0.05mm
ANGULAR TOLERANCE: ±1°

IF IN DOUBT ASK! DO NOT SCALE DRAWING!
FINISH REFER TO TABLE
MATERIAL REFER TO TABLE
THE FINISHED PRODUCT SHOULD BE CLEAN AND FREE FROM ALL LIQUIDS AND DEBRIS. SURFACES SHOULD BE OF UNIFORM APPEARANCE FREE FROM SHARP EDGES, BURRS AND CORROSION

AUTHOR SB
EDITOR DT
APPROVER WC
THIRD ANGLE PROJECTION
SHEET 1 OF 1
SCALE 1:1 A4

TITLE GENERAL SPECIFICATION
FILE 572 SERIES
PART 572 DOUBLE PCB SOCKET
ISSUE/REV. 012
VERSION 17
RELEASED
EDIT DATE 27 Jun 2018