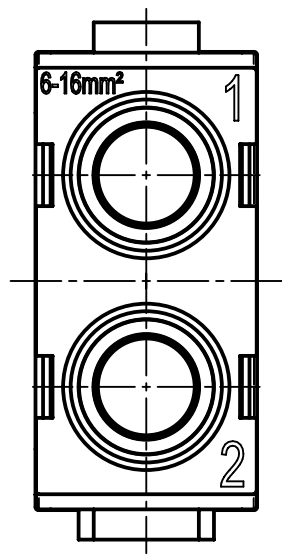
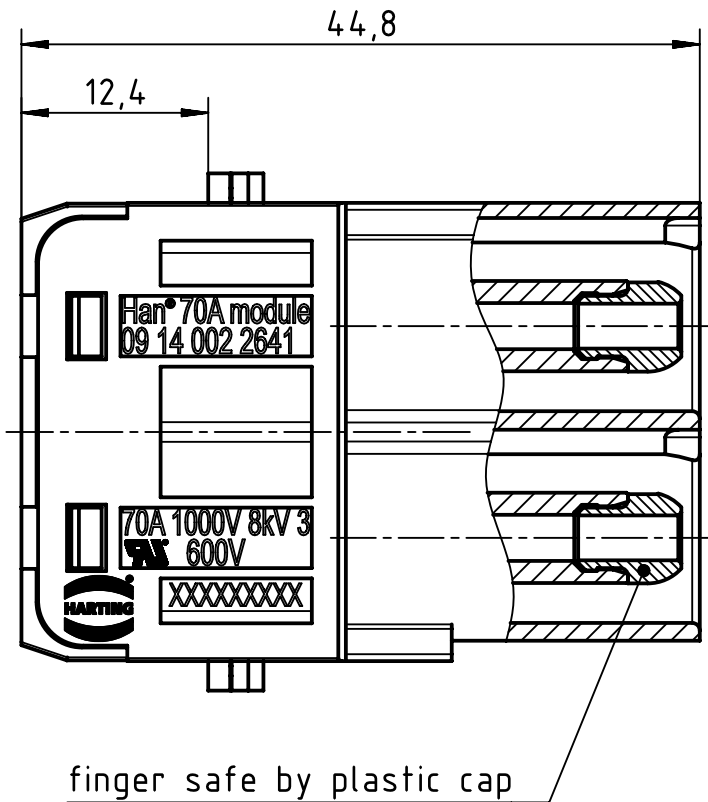
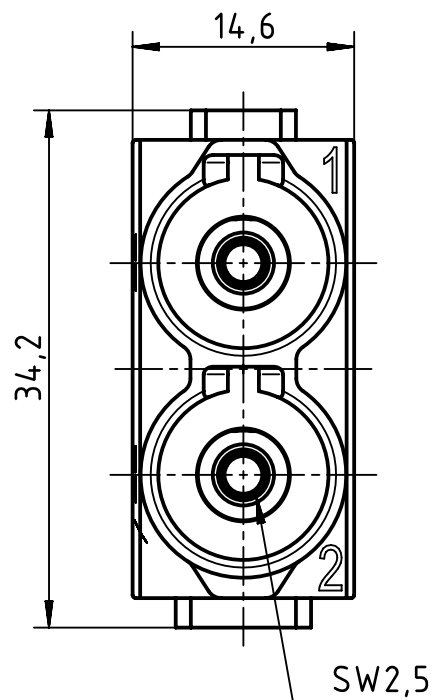
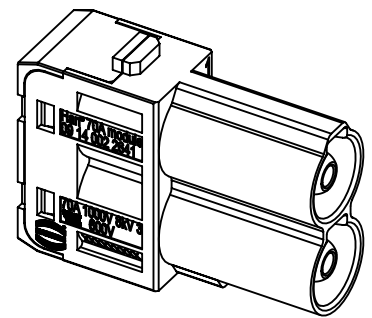


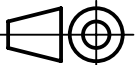

1 2 3 4 5 6

A  
B  
C  
D



for stranded wire 6-16mm<sup>2</sup>, AWG 10-6, fine wire



 All Dimensions in mm Original Size DIN A4	Scale 2:1	Free size tol.		Ref.		
	 All rights reserved Department EL PD		Created by HOLLERT	Inspected by RIEPE	Standardisation GARSKE	Date 2020-09-21
HARTING Electric GmbH & Co. KG D-32339 Espelkamp		Title Han 70A axial module, male 6-16mm <sup>2</sup>			Doc-Key / ECM-Nr. 100173714/UGD/010/F 500000179838	
		Type TB	Number 09 14 002 2641		Rev. F	Page 1/1