

## Standard lamps

### Operation lighting

#### Special features:

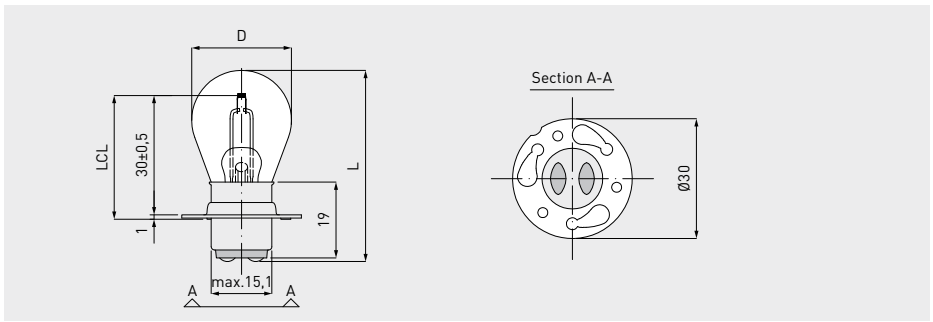
- transparent, with mirrored or black dome
- precision of manufacture, minimum tolerances in the positioning of the filaments
- compact luminary
- premium-quality inert gas filling
- different special caps available
- IR coating possible

#### Specific benefits:

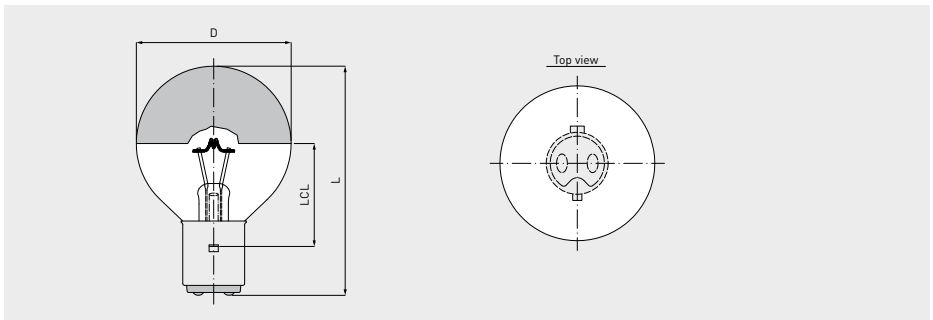
- very precise positioning in the light
- optimum power concentration
- with IR coating: same luminosity with reduced heat emission
- high luminous flux
- high operating safety

#### Areas of use:

- in operating lamps



Article no.	Description	V	W	Am- perage	Cap	Bulb diameter D max. mm	Total length L max. mm	Light centre length LCL mm	Luminous flux lm	Average life h	Individual life h	Burning position	PU
00843427	6.5V 2.75A P30s-ring 25x48 clear	6.5		2.75	P30s	25	48	30	300	100			
00843013	6V 15W S15d/19 with P30 ring	6	15		P30d	25	48	30.2	130	100			



Article no.	Description	V	W	Am- perage	Cap	Bulb diameter D max. mm	Total length L max. mm	Light centre length mm	Luminous flux lm	Average life h	Individual life h	Burning position	PU
00936018	12V 60W BA20d	12	60		BA20d	40	64		900	100			
00945027	12V 100W BA20d clear	12	100		BA20d	40	67		1,600	100			
00935026	12V 100W BA20d	12	100		BA20d	50	76		1,600	100			
00935037	24V 35W BA20d	24	35		BA20d	40	68		500	900			
00935043	24V 50W BA20d	24	50		BA20d	40	67		600	700			
00935068	24V 75W BA20d	24	75		BA20d	40	70		850	800			
00935156	24V 100W BA20d	24	100		BA20d	50	78		1,700	100			
00935051	42V 50W BA20d	42	50		BA20d	40	67		700	1,000			