

UV-B, BL & BLB

Special Coated Low Pressure Lamps

USHIO offers 3 types of special coated Low Pressure lamps: UV-B, BL, and BLB. These lamps are each coated with special blended phosphor to emit radiation peaking at 306nm (UV-B), 352nm (BL) or 368nm (BL & BLB).

The UV radiation emitted at specific wavelengths are used to create UV reaction and effects for various applications such as in Laboratory/Research, Industrial, Sanitation, Criminology, Cosmetics and Entertainment.

Manufacturing at an ISO9001 certified facility with tightly controlled manufacturing process, enables us to provide high quality lamps with reliable delivery to support your OEM product development as well as your daily operation.

These lamps are components which may be used by customers to manufacture a variety of finished products.

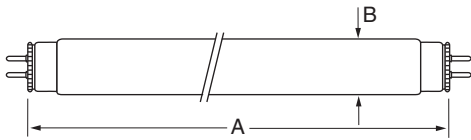
FEATURES & BENEFITS

- 3 Wavelength Variations: 306nm(UV-B), 352nm (UV-A) or 368nm(UV-A)
- Specially Blended Phosphor Coating for Maximum UV Effect and Output
- Low Mercury Dose to Meet Environmental Demands
- Large Production Capacity Providing Lamps With Consistent Quality and Reliable Delivery
- Flexible Design Capability for Custom Lamp Development

APPLICATIONS

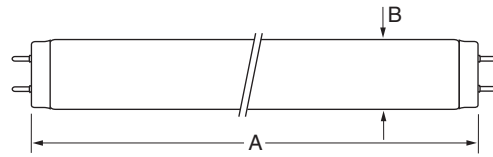
- UV Curing
- Detection
- Inspection
- Insect Luring
- Photochemistry
- Chromatography
- Phototherapy
- Dermatology
- Laboratory/Research
- Fluorescence Analysis
- Fluorescence Display
- Fluorescence Illumination
- Non-Destructive Testing
- Special Effects in Theatrical Presentation

SPECIFICATIONS



Miniature Bi-Pin G5 Base

T5



Medium Bi-Pin G13 Base

T8 and T10

Watts (W)	Ordering Code	Lamp Description	Dimensions				Lamp Current (A)	Volts (V)	Spectral Peak (nm)	UV Output (W)	Average Life (h)	Base Type
			Length (A)		Diameter (B)							
			(mm)	(in)	(mm)	(in)						
UV-B (306nm) Midrange Lamp												
7.2	3000318	G8T5E	287.0	11.30	15.5	0.61	0.145	57	306	1.4	3000	G5
14.7	3000319	G15T8E	436.0	17.17	25.5	1.00	0.300	55	306	3.0	4000	G13
25.0	3000335	G25T8E	436.0	17.17	25.5	1.00	0.600	52	306	3.9	3000	G13
Half Coat (254nm/352nm)												
4.5	3000333	G4T5/HC	134.5	5.30	15.5	0.61	0.170	29	254 / 352	0.4 / 0.2	3000	G5
Blacklight T5 Diameter												
4.5	3000105	F4T5BL	134.5	5.30	15.5	0.61	0.170	29	352*	0.5	3000	G5
6.0	3000110	F6T5BL	210.5	8.29	15.5	0.61	0.147	42	352*	1.0	3000	G5
7.2	3000115	F8T5BL	287.0	11.30	15.5	0.61	0.145	57	352*	1.2	3000	G5
Blacklight T8 Diameter												
15.0	3000077	F15T8BL	436.0	17.17	25.5	1.00	0.305	55	352*	2.6	4000	G13
Blacklight Blue T5 Diameter												
4.5	3000106	F4T5BLB	134.5	5.30	15.5	0.61	0.170	29	368	0.5	3000	G5
6.0	3000111	F6T5BLB	210.5	8.29	15.5	0.61	0.160	42	368	1.0	3000	G5
7.2	3000116	F8T5BLB	287.0	11.30	15.5	0.61	0.145	57	368	1.2	3000	G5
Blacklight Blue T8 Diameter												
9.5	3000305	F10T8BLB	330.0	12.99	25.5	1.00	0.230	46	368	1.5	4000	G13
15.0	3000078	F15T8BLB	436.0	17.17	25.5	1.00	0.305	55	368	2.6	4000	G13
30.5	3000148	F30T8BLB	893.0	35.16	25.5	1.00	0.355	99	368	6.3	4000	G13
Blacklight Blue T10 Diameter												
19.0	3000306	F20T10BLB	588.5	23.17	32.5	1.28	0.360	58	368	3.7	4000	G13

* 368nm available upon request

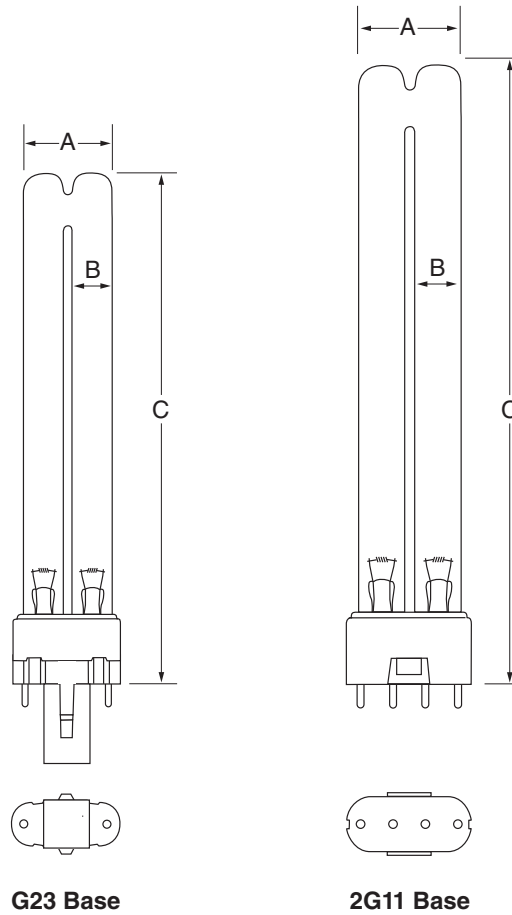
⚠ CALIFORNIA PROPOSITION 65 WARNING: These products can expose you to Mercury known to the state of California to cause birth defects or other reproductive harm. For more information, please go to: www.p65warnings.ca.gov

 contains mercury
contient du mercure



Manage in Accord with Disposal Laws
www.lamprecycle.org 1-800-895-8842

SPECIFICATIONS



G23 Base

2G11 Base

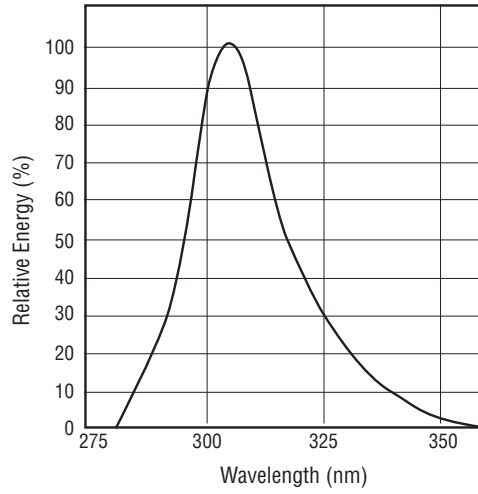
Watts (W)	Ordering Code	Lamp Description	Dimensions				Lamp Current (A)	Volts (V)	Spectral Peak (nm)	UV Output (W)	Average Life (h)	Base Type		
			Diameter (A) (mm)	Diameter (A) (in)	Diameter (B) (mm)	Diameter (B) (in)							Length (C) (mm)	Length (C) (in)
Blacklight Blue, Compact														
9.0	3000325	FPX9BLB	28.0	1.10	13.0	0.51	145.0	5.71	0.180	59	368	1.4	4000	G23
18.0	3000327	FPX18KBLB	40.0	1.57	20.0	0.79	225.0	8.86	0.375	58	368	3.3	4000	2G11

Average lamp life and output measurements taken under laboratory conditions in open air. Lamps are cycled for 2 hours and 45 minutes on / 15 minutes off when testing life and output. Lamp data is for reference only. Actual lamp performance depends on system design and operating conditions.

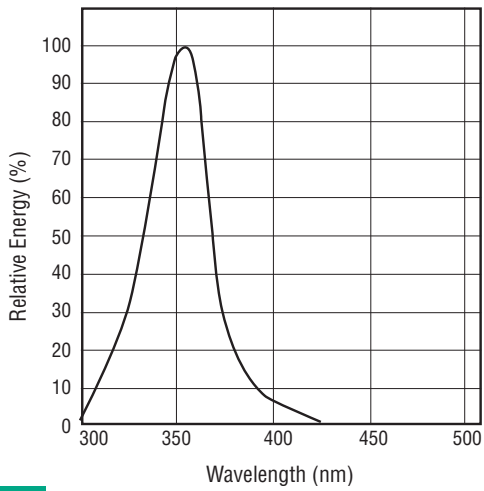
WARNING: Protect your eyes and skin when operating UV-B & BL lamps. Equipment should be designed to completely screen or filter UV radiation.

SPECIFICATIONS

**UV-B Lamp
306nm**



**Blacklight Lamp (BL)
352nm**



**Blacklight Blue Lamp (BLB)
368nm**

