

**DISPLAY Elektronik GmbH**

# DATA SHEET

**LCD MODULE**

## **DEM 20485 SYH**

*Product Specification*

*Version :1.1.1*

**07/July/2007**

# GENERAL SPECIFICATION

---

MODULE NO. :

## DEM 20485 SYH

CUSTOMER P/N

VERSION NO.	CHANGE DESCRIPTION	DATE
0	ORIGINAL VERSION	08.05.2003
1	CHANGE EXTERNAL DIMENSIONS	17.05.2003
1.1.0	CHANGE IC	14.11.2007
1.1.1	ADD J7 INFORMATION	07.07.2009

PREPARED BY: CC

DATE: 07.07.2009

APPROVED BY: MH

DATE: 07.07.2009

**CONTENTS**

**1.FUNCTIONS & FEATURES .....2**

**2. MECHANICAL SPECIFICATIONS .....2**

**3. BLOCK DIAGRAM.....3**

**4. EXTERNAL DIMENSIONS .....3**

**5. PIN ASSIGNMENT .....4**

**6. PCB DRAWING AND DESCRIPTION .....5**

**7. DISPLAY DATA RAM (DDRAM) .....6**

**8. MAXIMUM ABSOLUTE LIMIT (TA=25°C) .....6**

**9. ELECTRICAL CHARACTERISTICS .....6**

**10. CONTROL AND DISPLAY COMMAND.....9**

**11. STANDARD CHARACTER PATTERN (ST7066U-0A).....10**

**12. LCD MODULES HANDLING PRECAUTIONS..... 11**

**13. OTHERS ..... 11**

**1.FUNCTIONS & FEATURES**

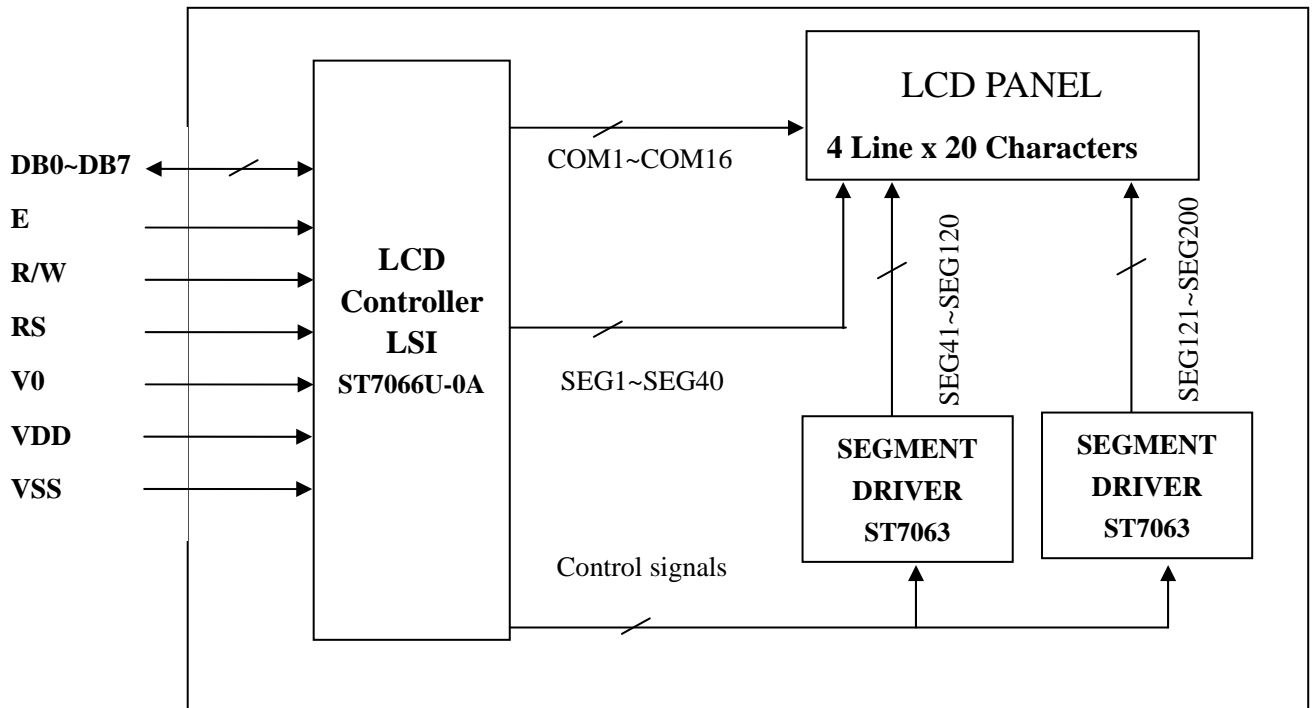
MODULE NAME	LCD TYPE
DEM 20485 SYH	STN Yellow-Green Reflective Positive Mode

- Viewing Direction : 6 o'clock
- Driving Scheme : 1/16 Duty Cycle, 1/5 Bias
- Power Supply Voltage : 5.0 Volt (typ.)
- VLCD (VDD-V0) : 4.5 Volt (typ.)
- Display contents : 20x4Characters (5x8 dots, Format: 208 Kinds )
- Internal Memory : CGROM (10,080 bits )  
: CGRAM (64 x 8 bits )  
: DDRAM (80 x 8 bits for Digits)
- CGROM : CGROM of the ST7066U-0A
- Interface : Easy Interface with a 4-bit or 8-bit MPU
- Operating Temperature : -20°C to +70°C
- Storage Temperature : -30°C to +80°C

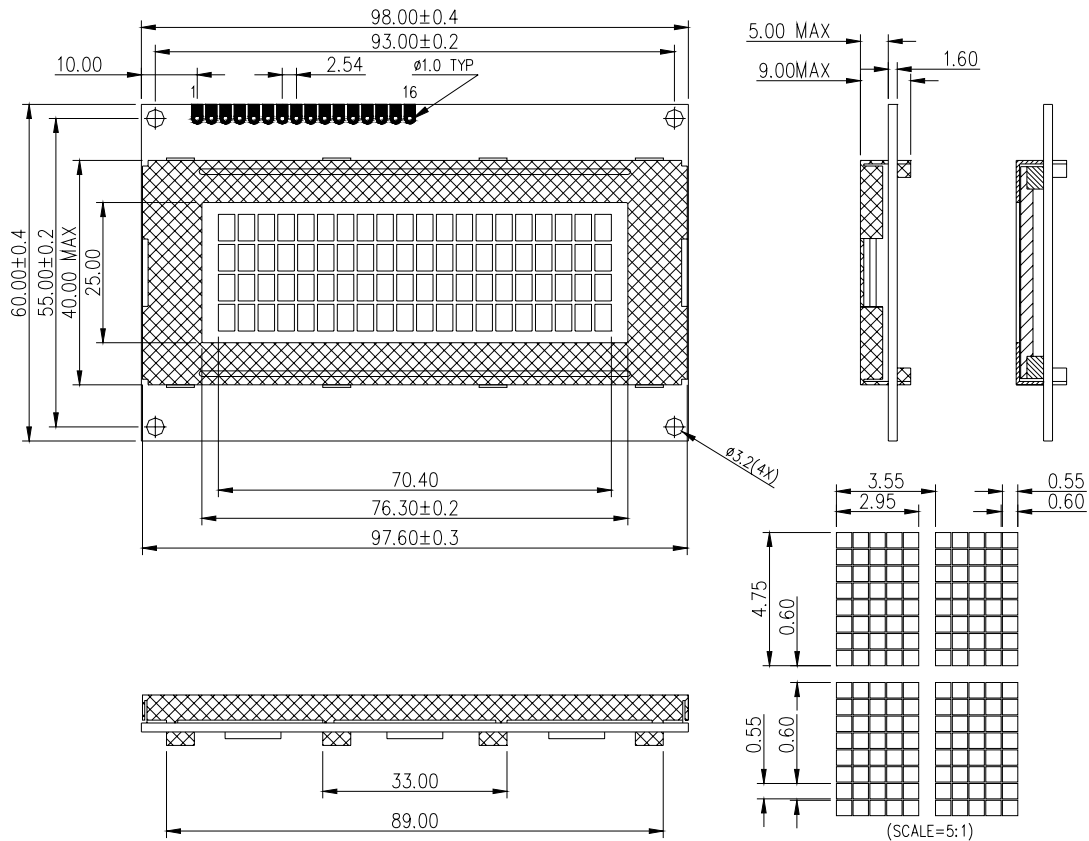
**2. MECHANICAL SPECIFICATIONS**

- Module Size : 98.00 x 60.00 x 9.00 mm
- Character Pitch : 3.55 x 5.35 mm
- Character Size : 2.95 x 4.75 mm
- Character Font : 5 x 8 dots
- Dot Size : 0.55 x 0.55 mm
- Dot Pitch : 0.60 x 0.60 mm
- Dot Gap : 0.05 mm

3. BLOCK DIAGRAM



4. EXTERNAL DIMENSIONS

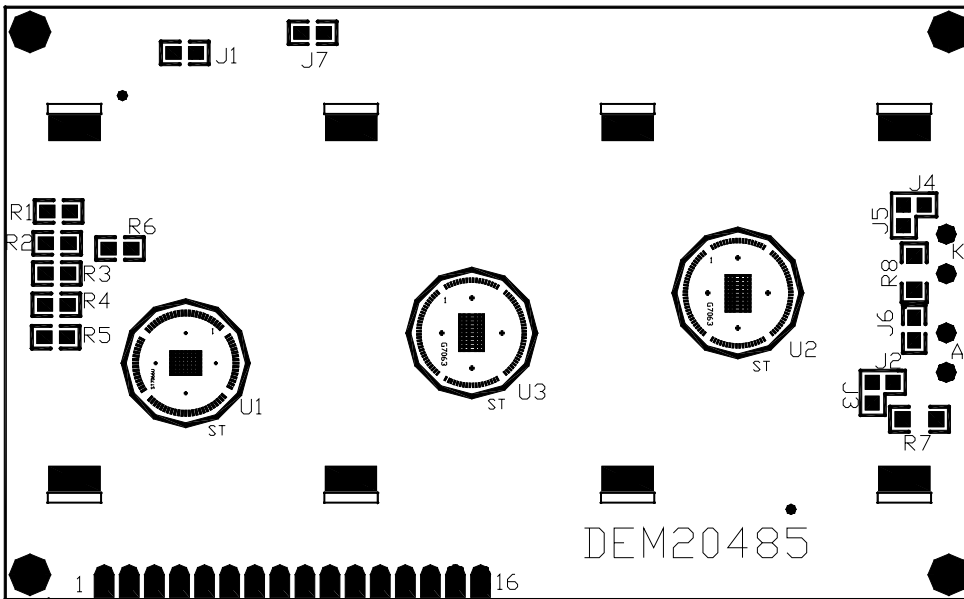


**5. PIN ASSIGNMENT**

Pin No.	Symbol	Function
1	VSS	Ground terminal of module
2	VDD	Power supply of module +5V
3	V0	Power Supply for LCD
4	RS	Register Select RS=0...Instruction Register RS=1...Data Register
5	R/W	Read or Write R/W=1...Read R/W=0...Write
6	E	Enable
7	DB0	Bi-directional Data Bus, Data Transfer is performed Once, thru DB0~DB7, in the case of interface data. Length is 8-bits; and twice, thru DB4~DB7 in the case of interface data length is 4-bits. Upper four bits first then lower four bits.
8	DB1	
9	DB2	
10	DB3	
11	DB4	
12	DB5	
13	DB6	
14	DB7	
15	LED-(K)	NO Used
16	LED-(A)	

**6. PCB DRAWING AND DESCRIPTION**

**6.1 PCB Drawing**



**DESCRIPTION:**

**6-1-1. In application module, J2=J3=J4=J5=J6=open**

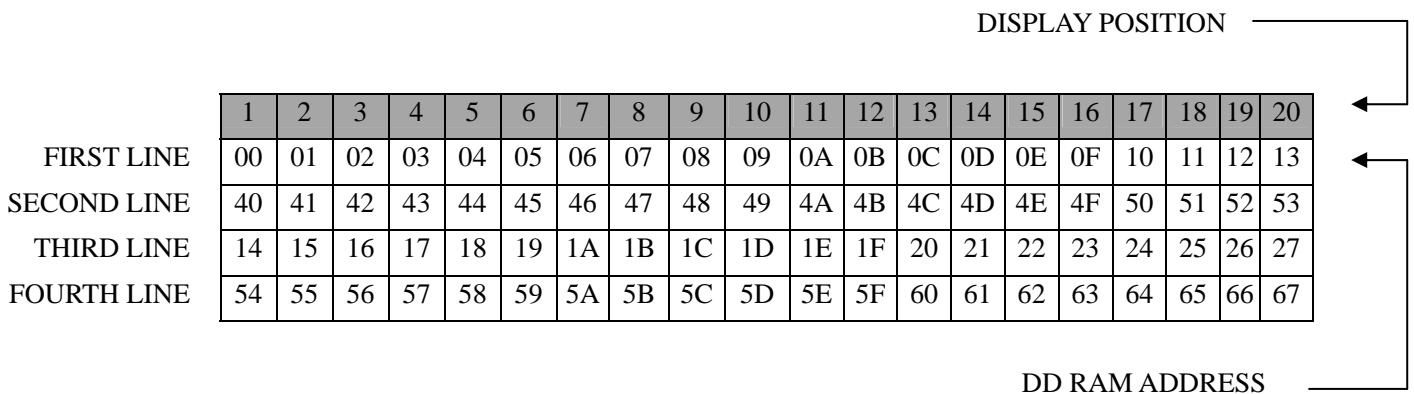
**6-1-2. The metal-bezel can be on ground when the J1 is closed**

Note: In application module, J1= closed.

**6-1-3. The mounting holes can be set to ground when J7 is closed.**

Note: In application module, J7 = closed.

**7. DISPLAY DATA RAM (DDRAM)**



**8. MAXIMUM ABSOLUTE LIMIT (Ta=25°C)**

Item	Symbol	Standard value	Unit
Power supply voltage (1)	V <sub>DD</sub>	-0.3~+7.0	V
Power supply voltage (2)	V <sub>0</sub>	V <sub>DD</sub> -13.5~V <sub>DD</sub> +0.3	V
Input voltage	V <sub>IN</sub>	-0.3~V <sub>DD</sub> +0.3	V
Operating temperature	T <sub>opr</sub>	-20~+70	°C
Storage temperature	T <sub>stg</sub>	-30~+80	°C

\*Voltage greater than above may damage to the Circuit.

$$V_{DD} > V1 > V2 > V3 > V4 > V5$$

**9. ELECTRICAL CHARACTERISTICS**

**9-1 DC Characteristics (V<sub>DD</sub>=4.5V~5.5V, Ta=-20~+70°C)**

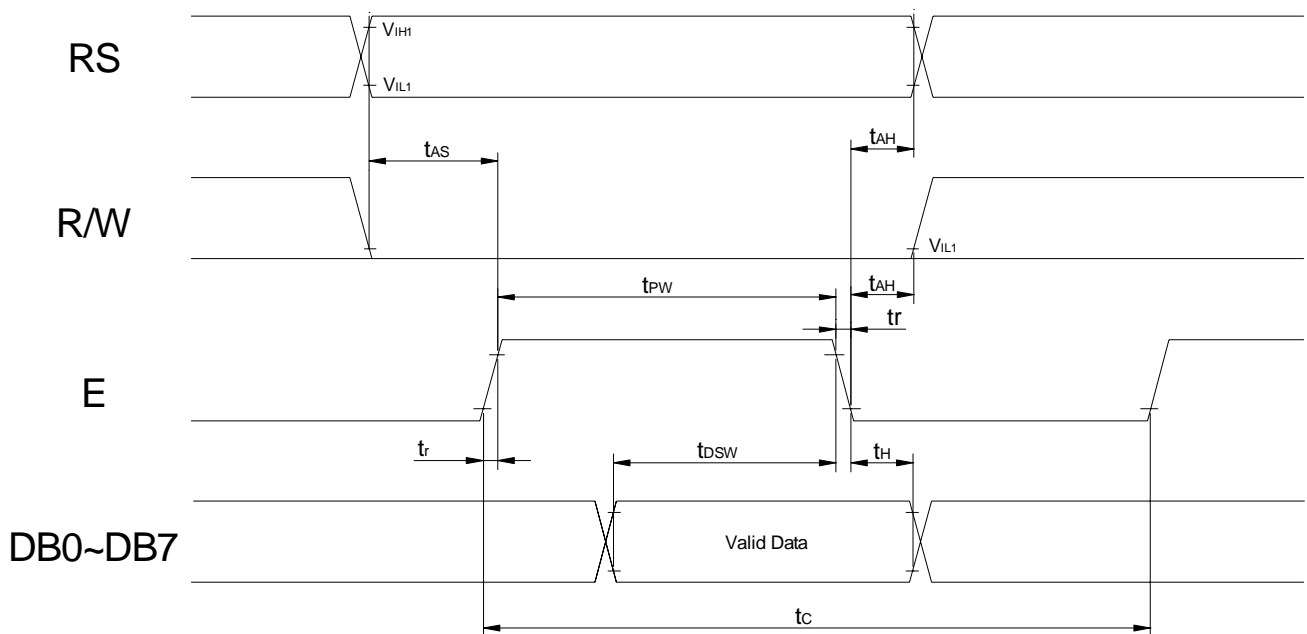
Item	Symbol	Standard Value			Test Condition	Unit
		MIN	TYP	MAX		
Operating Voltage	V <sub>DD</sub>	4.5	5	5.5	-----	V
LCD Driving Voltage	V <sub>LCD</sub>	3.0	4.5	13.0	V <sub>DD</sub> -V <sub>0</sub>	V
Supply Current	I <sub>DD</sub>	----	0.35	0.6	V <sub>DD</sub> =5V, f <sub>osc</sub> =270kHz	mA



**9-2 AC Characteristics ( $V_{DD}=4.5V\sim 5.5V$  ,  $T_a=-20\sim +70^{\circ}C$ )**

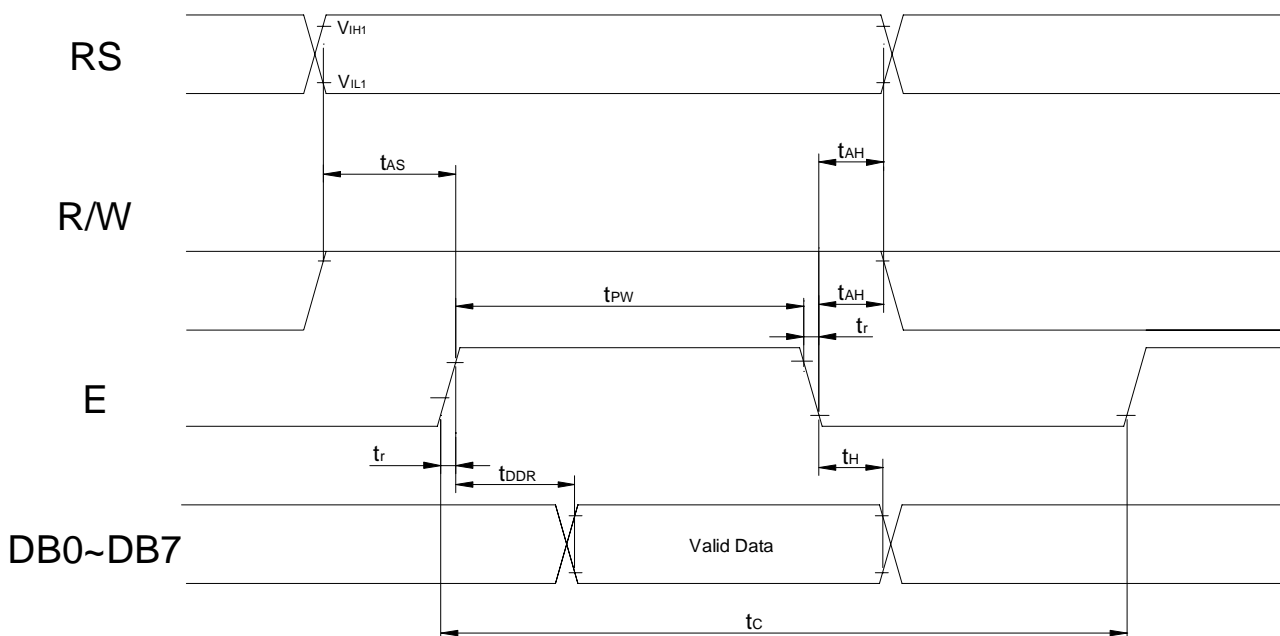
**9-2-1 Write mode (writing data from MPU to ST7066)**

Characteristic	Symbol	Min	Type	Max	Unit	Test PIN
E Cycle Time	$t_C$	1200	---	---	ns	E
E Rise Time	$t_R$	---	---	25	ns	E
E Fall Time	$t_F$	---	---	25	ns	E
E Pulse width	$t_W$	140	---	---	ns	E
Address Setup Time	$t_{SU1}$	0	---	---	ns	R/W,RS,E
Address Hold Time	$t_{H1}$	10	---	---	ns	R/W,RS,E
Data Set-up Time	$t_{SU2}$	40	---	---	ns	DB0~DB7
Data Hold Time	$t_{H2}$	10	---	---	ns	DB0~DB7



**9-2-2 Read mode (reading data from ST7066 to MPU)**

Characteristic	Symbol	Min	Type	Max	Unit	Test PIN
E Cycle Time	$t_C$	1200	---	---	ns	E
E Rise Time	$t_R$	---	---	25	ns	E
E Fall Time	$t_F$	---	---	25	ns	E
E Pulse width	$t_{PW}$	140	---	---	ns	E
Address Setup Time	$t_{AS}$	0	---	---	ns	R/W,RS,E
Address Hold Time	$t_{AH}$	10	---	---	ns	R/W,RS,E
Data Setup Time	$t_{DDR}$	---	---	100	ns	DB0~DB7
Data Hold Time	$t_H$	10	---	---	ns	DB0~DB7



**10. CONTROL AND DISPLAY COMMAND**

Command	RS	R/W	DB7	DB6	DB5	DB4	DB3	DB2	DB1	DB0	Execution time (fosc=270KHz)	Remark
Clear Display	0	0	0	0	0	0	0	0	0	1	1.52ms	Write"20H" to DDRAM. And set DDRAM address to "00H" from AC
Return home	0	0	0	0	0	0	0	0	1	x	1.52ms	Set DDRAM address to "00H" from AC and return cursor to its original position if shifted. The contents of DDRAM are not changed.
Entry mode Set	0	0	0	0	0	0	0	1	I/D	S	37us	Sets cursor move direction and specifies display shift. These operations are performed during data write and read.
Display on/off control	0	0	0	0	0	0	1	D	C	B	37us	D=1: entire display on C=1: cursor on B=1: cursor position on
Cursor or Display Shift	0	0	0	0	0	1	S/C	R/L	x	x	37us	Set cursor moving and display shift control bit, and the direction, without changing DDRAM data.
function Set	0	0	0	0	1	DL	N	F	x	x	37us	DL: interface data is 8/4 bits N: number of line is 2/1 F: font size is 5x11/5x8
Set CGRAM address	0	0	0	1	AC5	AC4	AC3	AC2	AC1	AC0	37us	Set CGRAM address in address counter
Set DDRAM address	0	0	1	AC6	AC5	AC4	AC3	AC2	AC1	AC0	37us	Set DDRAM address in address counter
Read busy flag& address	0	1	BF	AC6	AC5	AC4	AC3	AC2	AC1	AC0	0us	Whether during internal operation or not can be known by reading BF. The contents of address counter can also be read.
Write data to RAM	1	0	D7	D6	D5	D4	D3	D2	D1	D0	37us	Write data into internal RAM (DDRAM/CGRAM)
Read data from RAM	1	1	D7	D6	D5	D4	D3	D2	D1	D0	37us	Read data from internal RAM (DDRAM / CGRAM)

**Note:**

Be sure the ST7066U is not is not in the busy state (BF=00 before sending an instruction from the MPU to the ST7066U. If an instruction is sent without checking the busy flag, the time between the first instruction and next instruction will take much longer than the instruction time itself. Refer to instruction table for the list of each instruction execution time.

11. STANDARD CHARACTER PATTERN (ST7066U-0A)

Upper(4bit) Lower(4bit)	0000	0001	0010	0011	0100	0101	0110	0111	1000	1001	10010	1011	1100	1101	1110	1111
0000	CGRAM (1)			0	1	2	3	4				5	6	7	8	9
0001	(2)			A	B	C	D	E				F	G	H	I	J
0010	(3)			K	L	M	N	O				P	Q	R	S	T
0011	(4)			U	V	W	X	Y				Z	[	]	^	_
0100	(5)			0	1	2	3	4				5	6	7	8	9
0101	(6)			A	B	C	D	E				F	G	H	I	J
0110	(7)			K	L	M	N	O				P	Q	R	S	T
0111	(8)			U	V	W	X	Y				Z	[	]	^	_
1000	(1)			0	1	2	3	4				5	6	7	8	9
1001	(2)			A	B	C	D	E				F	G	H	I	J
1010	(3)			K	L	M	N	O				P	Q	R	S	T
1011	(4)			U	V	W	X	Y				Z	[	]	^	_
1100	(5)			0	1	2	3	4				5	6	7	8	9
1101	(6)			A	B	C	D	E				F	G	H	I	J
1110	(7)			K	L	M	N	O				P	Q	R	S	T
1111	(8)			U	V	W	X	Y				Z	[	]	^	_

**12. LCD MODULES HANDLING PRECAUTIONS**

- Please remove the protection foil of polarizer before using.
- The display panel is made of glass. Do not subject it to a mechanical shock by dropping it from a high place, etc.
- If the display panel is damaged and the liquid crystal substance inside it leaks out, do not get any in your mouth. If the substance come into contact with your skin or clothes promptly wash it off using soap and water.
- Do not apply excessive force to the display surface or the adjoining areas since this may cause the color tone to vary.
- The polarizer covering the display surface of the LCD module is soft and easily scratched. Handle this polarize carefully.
- To prevent destruction of the elements by static electricity, be careful to maintain an optimum work environment.
  - Be sure to ground the body when handling the LCD module.
  - Tools required for assembly, such as soldering irons, must be properly grounded.
  - To reduce the amount of static electricity generated, do not conduct assembly and other work under dry conditions.
  - The LCD module is coated with a film to protect the display surface. Exercise care when peeling off this protective film since static electricity may be generated.
- Storage precautions  
When storing the LCD modules, avoid exposure to direct sunlight or to the light of fluorescent lamps. Keep the modules in bags designed to prevent static electricity charging under low temperature / normal humidity conditions (avoid high temperature / high humidity and low temperatures below 0°C). Whenever possible, the LCD modules should be stored in the same conditions in which they were shipped from our company.

**13. OTHERS**

- Liquid crystals solidify at low temperature (below the storage temperature range) leading to defective orientation of liquid crystal or the generation of air bubbles (black or white). Air bubbles may also be generated if the module is subjected to a strong shock at a low temperature.
- If the LCD modules have been operating for a long time showing the same display patterns may remain on the screen as ghost images and a slight contrast irregularity may also appear. Abnormal operating status can be resumed to be normal condition by suspending use for some time. It should be noted that this phenomena does not adversely affect performance reliability.
- To minimize the performance degradation of the LCD modules resulting from caused by static electricity, etc. exercise care to avoid holding the following sections when handling the modules:
  - Exposed area of the printed circuit board
  - Terminal electrode sections