



Relays, Contactors & Switches > Switches > Slide Switches



Configuration (Pole-Throw): **Four Pole - Double Throw**

Slide Switch Mounting Angle: **Vertical**

Contact Base Material: **Copper Alloy**

Number of Actuators: **Single**

Number of Slide Switch Positions: **2**

Features

Product Type Features

Threaded Case	Without
Grade	Instrumentation
Switch Type	Slide
Product Type	Switch
Terminal Configuration	Standard
Actuator Style	Extended, Top

Configuration Features

Terminals Connected	1-2, 4-5, 7-8, 10-11
Configuration (Pole-Throw)	Four Pole - Double Throw
Number of Actuators	Single
Number of Slide Switch Positions	2
Operating Function	On On

Electrical Characteristics

Slide Switch Voltage Rating (VAC)	125
-----------------------------------	-----

Body Features

Actuator Travel	2 mm[.079 in]
Actuator Material	POM
Actuator Color	Black

Contact Features

Contact Base Material	Copper Alloy
Slide Switch Contact Current Rating	.3 A
Switch Contact Plating Material	Silver

Termination Features

Termination Type	PC
------------------	----

Mechanical Attachment

PCB Mount Retention	With
PCB Mount Retention Type	Guide Post
Slide Switch Mounting Angle	Vertical
Slide Switch Mounting Type	Through Hole

Dimensions

PCB Tail Length	2.8 mm[.11 in]
Actuator Length	8 mm[.315 in]
Width	9.4 mm[.37 in]
Length	15 mm[.591 in]

Identification Marking

Stamped Marking	With
-----------------	------

Industry Standards

UL Flammability Rating	UL 94-HB
------------------------	----------

Packaging Features

Packaging Method	Tray
------------------	------

Product Compliance

[For compliance documentation, visit the product page on TE.com>](#)

EU RoHS Directive 2011/65/EU	Compliant
EU ELV Directive 2000/53/EC	Compliant
China RoHS 2 Directive MIIT Order No 32, 2016	No Restricted Materials Above Threshold
EU REACH Regulation (EC) No. 1907/2006	Current ECHA Candidate List: JAN 2021 (211) Candidate List Declared Against: JAN 2021 (211) Does not contain REACH SVHC



Halogen Content

Not Yet Reviewed for halogen content

Solder Process Capability

Wave solder capable to 265°C

Product Compliance Disclaimer

This information is provided based on reasonable inquiry of our suppliers and represents our current actual knowledge based on the information they provided. This information is subject to change. The part numbers that TE has identified as EU RoHS compliant have a maximum concentration of 0.1% by weight in homogenous materials for lead, hexavalent chromium, mercury, PBB, PBDE, DBP, BBP, DEHP, DIBP, and 0.01% for cadmium, or qualify for an exemption to these limits as defined in the Annexes of Directive 2011/65/EU (RoHS2). Finished electrical and electronic equipment products will be CE marked as required by Directive 2011/65/EU. Components may not be CE marked. Additionally, the part numbers that TE has identified as EU ELV compliant have a maximum concentration of 0.1% by weight in homogenous materials for lead, hexavalent chromium, and mercury, and 0.01% for cadmium, or qualify for an exemption to these limits as defined in the Annexes of Directive 2000/53/EC (ELV). Regarding the REACH Regulation, the information TE provides on SVHC in articles for this part number is based on the latest European Chemicals Agency (ECHA) 'Guidance on requirements for substances in articles' posted at this URL: https://echa.europa.eu/guidance-documents/guidance-on-reach

Compatible Parts



TE Part # 1825258-2
SPDT SL SW R/A AU



TE Part # 1825255-5
MHS12304=SPDT SL SW VERT AG



TE Part # 1825255-7
MHS13304=SP3T SL SW VERT AG



TE Part # 1825255-8
MHS133G04=SP3T SL SW VERT AU



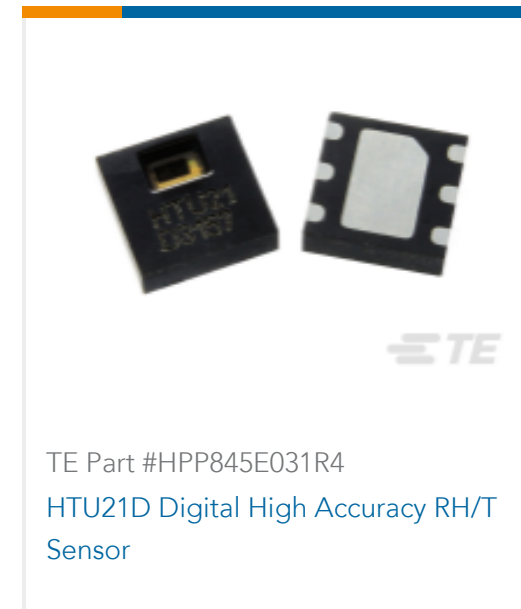
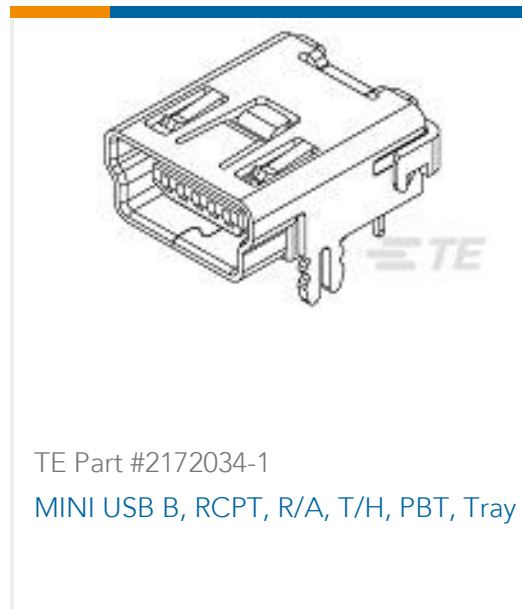
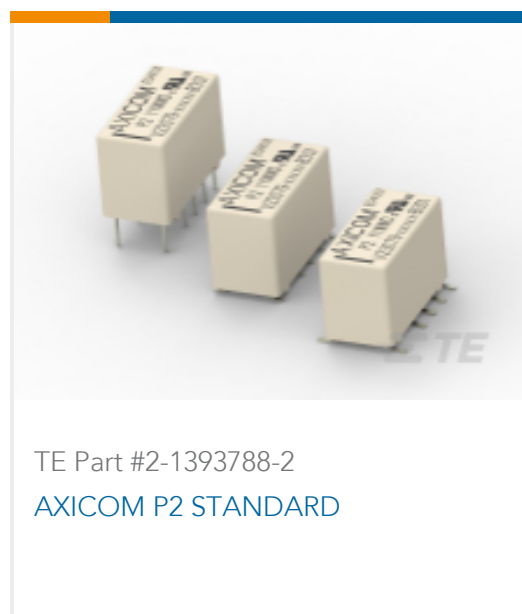
TE Part # 1825257-1
MSS120004=SPDT SL SW VERT AG

Also in the Series | Alcoswitch MSS



Slide Switches(20)

Customers Also Bought



Documents

Product Drawings

MSS420004=4PDT SL SW AG

English

CAD Files

3D PDF

3D

Customer View Model

[ENG_CVM_CVM_1825264-1_A.2d_dxf.zip](#)

English

Customer View Model

[ENG_CVM_CVM_1825264-1_A.3d_igs.zip](#)

English

Customer View Model

[ENG_CVM_CVM_1825264-1_A.3d_stp.zip](#)

English

By downloading the CAD file I accept and agree to the [Terms and Conditions](#) of use.

Datasheets & Catalog Pages



SWITCHES_CORE_PROGRAM_CATALOG

English

Product Environmental Compliance

TE Material Declaration

English