



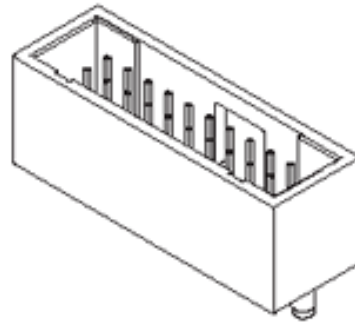
Part Number : [713492074](#)

Product Description : 2.54mm Pitch C-Grid Header, Surface Mount, Dual Row, Vertical, Shrouded, 16 Circuits, 0.76µm Gold (Au) Selective Plating, with Press-fit Plastic Pegs

Series Number : 71349

Status : Active

Product Category : PCB Headers and Receptacles



Documents & Resources

Drawings

[Drawing 713492074_sd.pdf](#)

[Packaging Design Drawing PK-70873-0019-001.pdf](#)

[Packaging Design Drawing PK-70873-0018-001.pdf](#)

3D Models and Design Files

[3D Model 713492074_stp.zip](#)

Specifications

[Application Specification 713080001-AS-000.pdf](#)

[Product Specification PS-71349-001-001.pdf](#)

Product Environment Compliance

Compliance

| | |
|--------------------|--|
| GADSL/IMDS | Compliant with Exemption 44; 34; 33 |
| China RoHS | |
| EU ELV | Not Relevant |
| Low-Halogen Status | Low-Halogen per IEC 61249-2-21 |
| REACH SVHC | Not Contained per D(2023)3788-DC (14 Jun 2023) |
| EU RoHS | Compliant per EU 2015/863 |

Multiple Part Product Compliance Statements

- Eu RoHS
- REACH SVHC
- Low-Halogen

Multiple Part Industry Compliance Documents

- IPC 1752A Class C
- IPC 1752A Class D
- Molex Product Compliance Declaration
- IEC-62474
- chemSHERPA (xml)

EU RoHS Certificate of Compliance

Part Details

General

| | |
|----------------|---|
| Status | Active |
| Category | PCB Headers and Receptacles |
| Series | 71349 |
| Description | 2.54mm Pitch C-Grid Header, Surface Mount, Dual Row, Vertical, Shrouded, 16 Circuits, 0.76µm Gold (Au) Selective Plating, with Press-fit Plastic Pegs |
| Application | Signal, Wire-to-Board |
| Component Type | PCB Header |
| Product Family | C-Grid Connector Products |
| Product Name | C-Grid |
| UPC | 800756396347 |

Agency

| | |
|----|--------|
| UL | E29179 |
|----|--------|

Electrical

| | |
|-------------------------------|------|
| Current - Maximum per Contact | 3.0A |
| Voltage - Maximum | 250V |

Physical

| | |
|--------------------------------|-------|
| Breakaway | No |
| Circuits (Loaded) | 16 |
| Circuits (maximum) | 16 |
| Color - Resin | Black |
| Durability (mating cycles max) | 50 |

| | |
|--------------------------------|--------------------------------|
| First Mate / Last Break | No |
| Flammability | 94V-0 |
| Glow-Wire Capable | No |
| Guide to Mating Part | No |
| Keying to Mating Part | None |
| Lock to Mating Part | Yes |
| Material - Metal | Brass, Phosphor Bronze |
| Material - Plating Mating | Gold |
| Material - Plating Termination | Tin |
| Material - Resin | High Temperature Thermoplastic |
| Net Weight | 3.096/g |
| Number of Rows | 2 |
| Orientation | Vertical |
| Packaging Type | Tube |
| PCB Locator | Yes |
| PCB Retention | Yes |
| Pitch - Mating Interface | 2.54mm |
| Pitch - Termination Interface | 2.54mm |
| Plating min - Mating | 0.762µm |
| Plating min - Termination | 1.905µm |
| Polarized to Mating Part | Yes |
| Shrouded | Fully |
| Stackable | No |
| Temperature Range - Operating | -40° to +105°C |
| Termination Interface Style | Surface Mount |

Solder Process Data

| | |
|------------------------------|--------|
| Max-Duration | 30 |
| Lead-Free Process Capability | REFLOW |
| Max-Cycle | 3 |
| Max-Temp | 245 |