

5

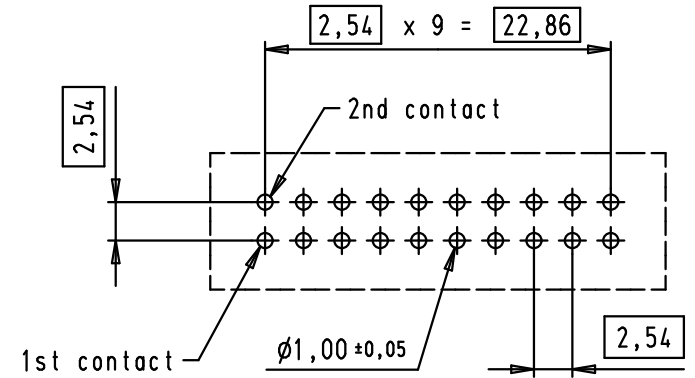
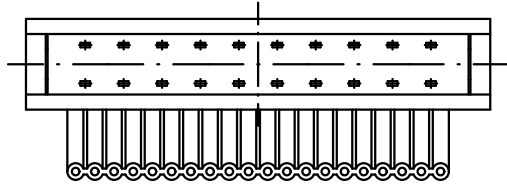
4

3

2

1

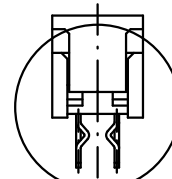
PCB layout, component side



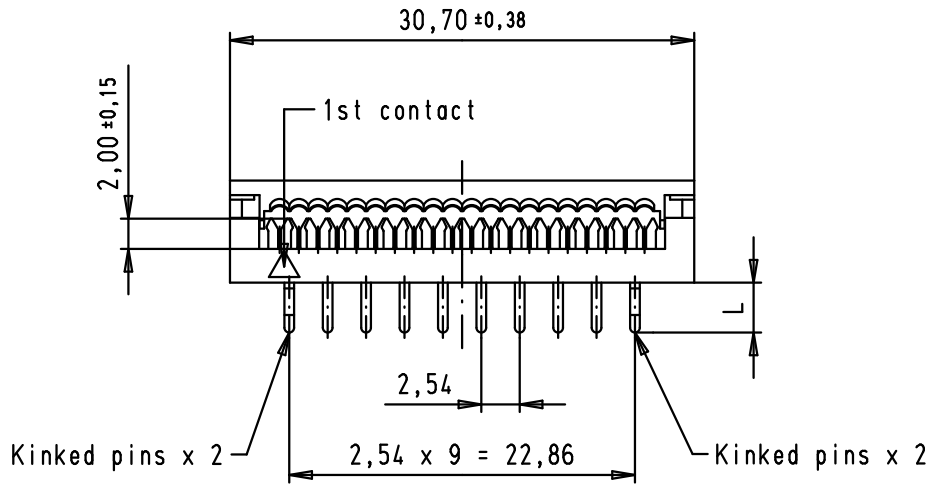
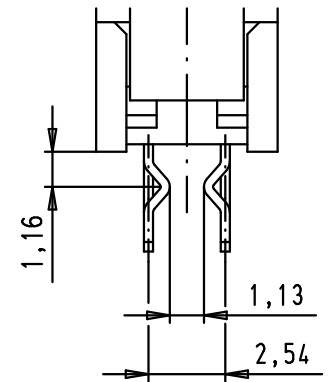
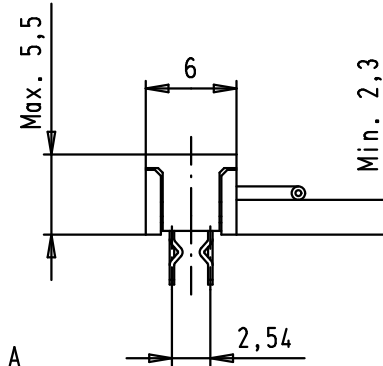
PRE-ASSEMBLED

ASSEMBLED


Detail A (scale: 4:1)



See detail A



Max. insertion force = 20 N
Min. retention force = 4 N

Mod.	Dat.	Name	Dat.	Name
			Detail.	15/06/06 JMDR
			Insp.	
			Stand.	
34920	30/05/08	PK	 All Dim. in mm Orig. Size DIN A 4	
34888	08/04/08	PK		
33479	15/06/06	JMDR		
			HARTING EURL F-95972 Paris	

SEK 18, low profile,
PCB transition, 20 poles,
2 rows, kinked contacts

Maßstab/
Scale

2:1

09 18 120 9422.210	3,0 ⁰ _{-0,25}	PRE-ASSEMBLED
09 18 120 9422.200	3,3 ^{±0,25}	NON ASSEMBLED
09 18 120 9422	3,3 ^{±0,25}	PRE-ASSEMBLED
Part number	L	COVER

TB 09 18 120 9422

Blatt/ Page

1 / 1

Sub.