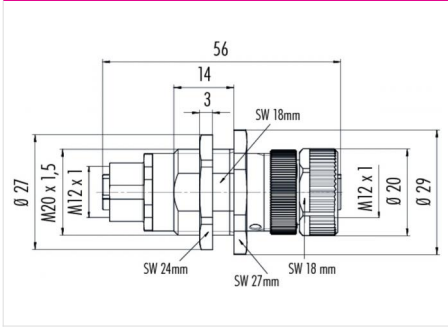


Product description	Contacts: 4, Adaptor, switch cabinet bushing, shielded, female connector / female connector UL approval
Area	M12-D, M12-X Series 825/876 D-coding
Order number	09 5246 00 04

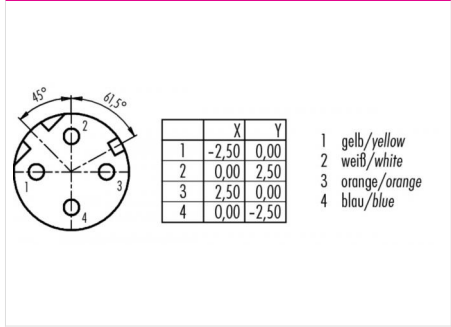
Illustration



Scale drawing



Contact arrangement



You can find the assembly instructions on the next page.

Technical data

General values

Connector design	adapter
Connector locking system	bolted
Termination	pluggable
Upper limit temperature	85 °C
Lower limit temperature	-40 °C
Customs tariff number	85369010

Cable data

Approval 1	UL
------------	----

Electrical values

Rated current (40 °C)	4 A
Rated voltage	250 V
Rated impulse voltage	2500 V
Pollution degree	3
Overvoltage category	II
Insulating material group	II
Volume resistivity	≤ 3 mΩ
Insulation resistance	> 10 ⁸ Ω
EMC compliance	shielded
Degree of protection	IP67
Mechanical operation	> 100 Mating cycles

Material

Contact material	CuZn (brass)
Contact plating	Au (gold)
Contact body material	PA

Product description

Contacts: 4, Adaptor, switch cabinet bushing, shielded, female connector / female connector UL approval

Area

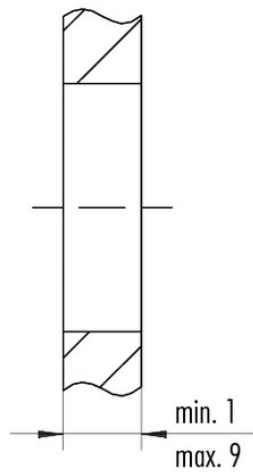
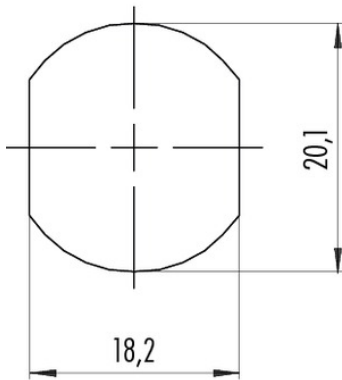
M12-D, M12-X Series 825/876 D-coding

Order number

09 5246 00 04

Assembly instructions / Panel cut-out

Schaltschrankdurchführung mit Durchgangsbohrung
Lead-through for control cabinet with bore hole



Anzugsdrehmoment/Tightening moment
1-1,2 Nm

Product description	Contacts: 4, Adaptor, switch cabinet bushing, shielded, female connector / female connector UL approval
Area	M12-D, M12-X Series 825/876 D-coding
Order number	09 5246 00 04

Security notices

The connector must not be connected or separated under load. Non-observance and incorrect use can result in personal injury.

The connectors are designed for use in plant, control system and electrical equipment. The end user is responsible for checking whether the connectors are suitable for use in other applications.

Connectors with degree of protection IP 67 and IP 68 are not suitable for use under water. When used outdoors, the connectors must be separately protected against corrosion. For further information about IP degrees of protection refer to 'Technical support' in the Download Centre.

To lock the cable connector to the equipment connector, the threaded ring is tightened until it is 'finger-tight' (approx. 50 cNm).