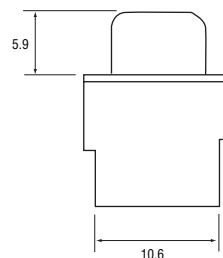
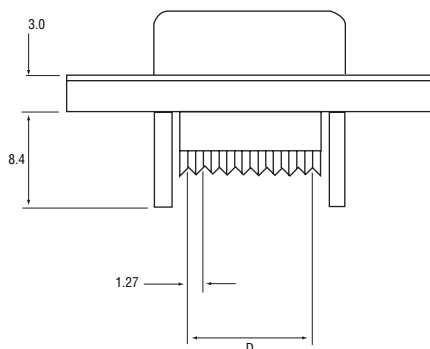
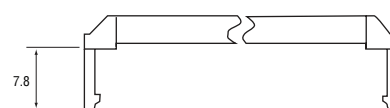
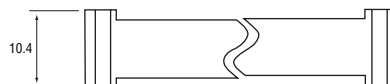
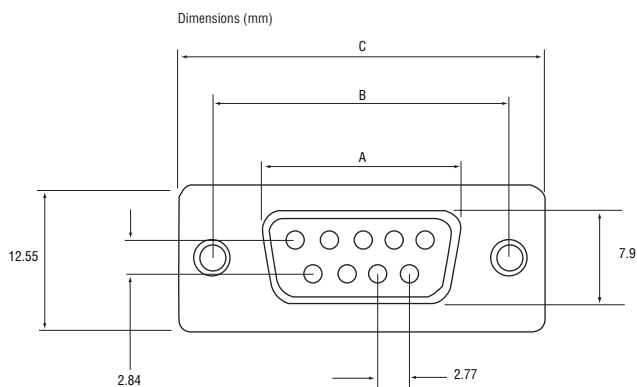


Order code	No. of ways	Dimensions			
		A	B	C	D
19-0420	09	16.33	24.99	31.16	10.16
19-0425	15	24.66	33.32	39.42	17.78
19-0405	25	38.38	47.04	53.34	30.48



Specifications

Contact resistance	30mΩ max. at 100mA DC
Insulation resistance	1000MΩ min.
Current rating	1 Amp
Dielectric withstanding voltage	500V for 1 minute
Operating temperature	-55°C to +105°C
Contact material	Phosphor bronze
Single contact insertion force	500g max.
Single contact withdrawal force	30g min.