



# HERCULES IP66 GRP ENCLOSURES

## PRODUCT OVERVIEW

Introducing the **H-Range (Hercules)**, a rugged and reliable solution for your enclosure and electrical cabinet needs. Manufactured from fiberglass-reinforced polyester (GRP/SMC), the Hercules Range offers exceptional durability and protection for electrical components.

The Hercules Range is designed to withstand any condition, thanks to its IP66 water resistance and IK-10 impact resistance. It comes with an assortment of accessories to guarantee dependable performance wherever you need it. With a keyed lock, an optional clear window, and straightforward installation, this range offers both convenience and security for all your industrial needs.



## KEY FEATURES

### Unparalleled Strength

Manufactured from strong and durable fiberglass-reinforced polyester (GRP/SMC) and ideal for outside usage with UV-stabilised material. The material also makes it lightweight for easy installation.

### Secure Locks

The hinged door comes equipped 90 degree quarter-turn standard locks for added security. The locks are metal-free and are easy to replace.

### Tool-Free Assembly

The door features a hinged design equipped with 90-degree quarter-turn locks for enhanced security. These locks are made without metal and can be easily replaced.

### Rugged Protection

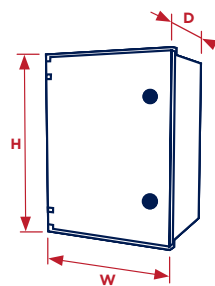
With IP66 water resistance and IK-10 impact resistance, the Hercules Range safeguards your equipment against the elements. The rubber gasket is made with injected polyurethane, resisting temperatures between -30°C and 85°C.

## SPECIFICATION

<b>MATERIALS</b>	Fiberglass-reinforced polyester (GRP)	
<b>COLOURS</b>	Light Grey	RAL 7035
<b>IP RATING (IEC-60529)</b>	IP66 (IP65 for windowed versions)	
<b>IK RATING (IEC-62262)</b>	IK-10	
<b>SELF-EXTINGUISHABLE GWIT (IEC-60695-2-10)</b>	960°C	
<b>COMPRESSION RESISTANCE</b>	100kg	
<b>OPERATING TEMPERATURE</b>	-30°C to 70°C	
<b>ELECTRICAL PERFORMANCE</b>	Nominal tension direct current up to	1500 VdC
	Nominal tension alternating current up to	1000 Vac

## STANDARD UNIT INCLUDES

1 x Enclosure, 1 x Double-Bar Key, 4 x Panel Mounting Screws, 4 x Wall Mounting Plugs, and 4 x Wall Mounting Screws



## PRODUCT RANGE

PART NUMBER	EXTERNAL HEIGHT (mm)	EXTERNAL WIDTH (mm)	EXTERNAL DEPTH (mm)	INTERNAL HEIGHT (mm)	INTERNAL WIDTH (mm)	INTERNAL DEPTH (mm)	DISSIPATION DT=40°C (W)	WEIGHT (KG)	MAX INTERIOR WEIGHT (KG)
HER-B1-325	300	250	140	273	207	123	36.2	1.93	10
HER-B1-325P	300	250	140	273	207	123	36.2	1.93	10
HER-B1-43	400	300	200	373	257	183	58.8	3.60	18
HER-B1-43P	400	300	200	373	257	183	58.8	3.60	18
HER-B1-44	400	400	200	373	357	183	72.6	4.35	25
HER-B1-54	500	400	200	473	357	183	82.9	5.25	35
HER-B1-64	600	400	230	573	357	213	99.4	7.13	44
HER-B1-65	600	500	230	573	457	213	117	7.93	51
HER-B1-86	800	600	300	773	557	283	185	12.65	63

Note: 'P' denotes a windowed version. Windowed versions are rated to IP65.



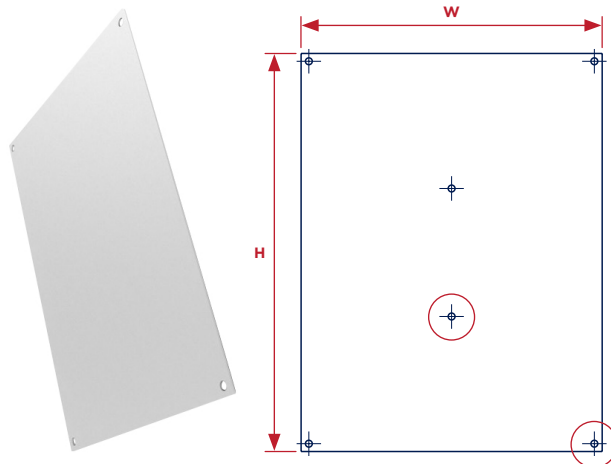


## MOUNTING PLATE ACCESSORY

Mounting plates for all sizes of the Hercules Range in metallic (galvanised steel) and polyester variants. Please cross reference part number of H-Range enclosure for compatible mounting plate size.

METALLIC MOUNTING PLATES					
PART NUMBER	HEIGHT (MM)	WIDTH (MM)	THICK (MM)	WEIGHT (KG)	MATERIAL
HER-MPM-325	262	198	2	0.79	Metallic
HER-MPM-43	360	248	2	1.39	Metallic
HER-MPM-44	360	348	2	1.90	Metallic
HER-MPM-54	460	348	2	2.20	Metallic
HER-MPM-64	558	348	2	3.00	Metallic
HER-MPM-65	558	448	2	3.60	Metallic
HER-MPM-86	756	548	2	6.40	Metallic

POLYESTER MOUNTING PLATES					
PART NUMBER	HEIGHT (MM)	WIDTH (MM)	THICK (MM)	WEIGHT (KG)	MATERIAL
HER-MPP-325	262	198	3	0.38	Polyester
HER-MPP-43	360	248	3	0.59	Polyester
HER-MPP-44	360	348	3	0.87	Polyester
HER-MPP-54	460	348	3	1.09	Polyester
HER-MPP-64	558	348	3	1.30	Polyester
HER-MPP-65	558	448	3	1.75	Polyester
HER-MPP-86	756	548	4	2.78	Polyester



Mounting plates are supplied with 1-3 central fixing holes depending on size for additional anchoring and stability against sagging when installing heavier components.

PART NUMBERS	FIXING HOLES	DIAMETER (mm)
All ending in -325, -43, -44	4 corner, 1 central	8
All ending in -54, -64, -65	4 corner, 2 central	8
All ending in -86	4 corner, 3 central	8

## WALL MOUNTING BRACKET

Set of 4 black wall mounting brackets for the H-Range made from polyamide reinforced with fiberglass and with screws included.

WALL MOUNTING BRACKET					
PART NUMBER	HEIGHT (MM)	WIDTH (MM)	DEPTH (MM)	WEIGHT (KG)	MATERIAL
HER-WM-14	67	28	25	0.09	PA66 (GF)

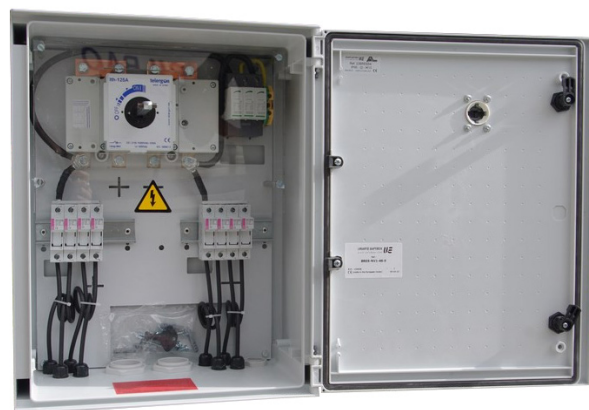


## APPLICATIONS/INDUSTRIES

- Industrial Control Panels, Electrical Equipment, and Machinery.
- Telecommunication Systems and Networks.
- Transportation Hubs, Signalling Systems, and Control Panels.
- Energy Substation Cabinets, Power Monitoring, and Circuit Breakers.

## CUSTOMISATION

- Precise CNC machining for connectivity and cabling cutouts.
- High-resolution digital printing for labelling and branding.
- Additional accessories sold separately, like IP67 cable glands.



## RELATED PRODUCTS

