



Ferrule; Sleeve for 1.5 mm² / AWG 16; insulated; electro-tin plated; electrolytic copper; gastight crimped; acc. to DIN 46228, Part 4/09.90

Item No.: 216-244



Ferrule; Sleeve for 1.5 mm² / AWG 16; insulated; electro-tin plated; electrolytic copper; gastight crimped; acc. to DIN 46228, Part 4/09.90

Marking

RoHS ✓
Compliant

Business data

Supplier	WAGO
Item no.	216-244
GTIN / EAN	4044918016346
Content	1

Notes

Technical data

Miscellaneous

Main product function	Ferrule
Strip length	12 mm / 0.47 Inch
Length [mm]	16 [mm]
Length 1 [mm]	10 [mm]

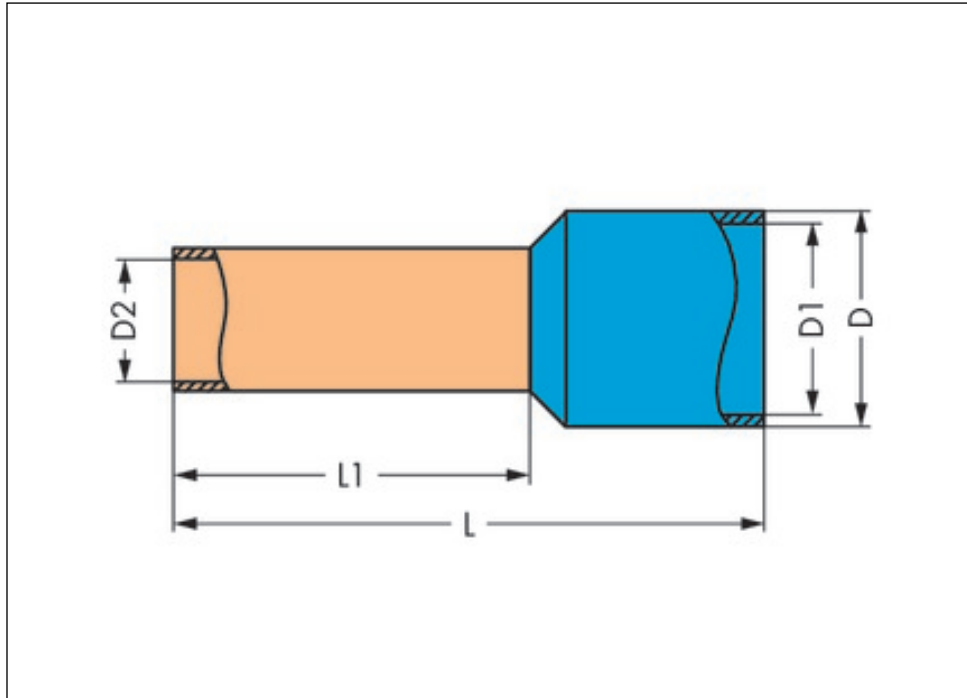
Printview: Ferrule; Sleeve for 1.5 mm² / AWG 16; insulated; electro-tin plated; electrolytic copper; gastight crimped; acc. to DIN 46228, Part 4/09.90 - Item No.: 216-244

Technical data	
<i>Diameter [mm]</i>	<i>4 [mm]</i>
<i>Diameter 1 [mm]</i>	<i>3.5 [mm]</i>
<i>Diameter 2 [mm]</i>	<i>1.7 [mm]</i>
<i>Color</i>	<i>black</i>
<i>Fire load [MJ]</i>	<i>0.002 [MJ]</i>
<i>Weight [g]</i>	<i>0.138 [g]</i>
<i>Geeignet für</i>	<i>Serien 2001 - 2002</i>
<i>Product type</i>	<i>Accessories</i>

Printview: Ferrule; Sleeve for 1.5 mm² / AWG 16; insulated; electro-tin plated; electrolytic copper; gastight crimped; acc. to DIN 46228, Part 4/09.90 - Item No.: 216-244

Images & drawings





Address

WAGO Kontakttechnik GmbH & Co. KG

Hansastr. 27

32423 Minden

Telefon: 0571/887-0

Fax: 0571/887-169

<http://www.wago.com>

© WAGO Kontakttechnik GmbH & Co. KG

Technische Änderungen und Irrtümer vorbehalten.