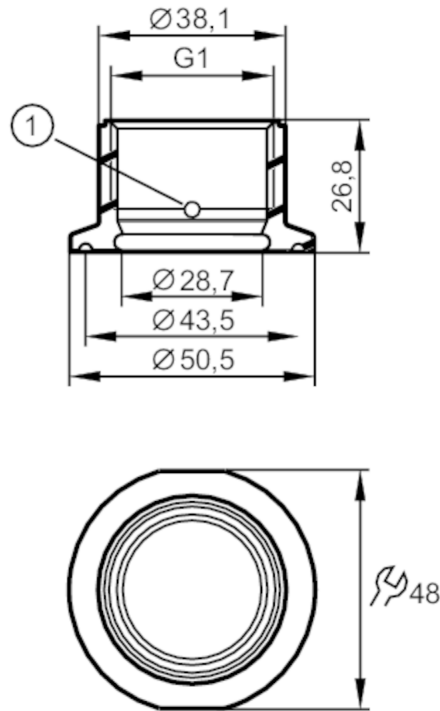


# E33602



## Process adapter Tri-Clamp

ADAPT G1-CLAMP ISO2852/1-1.5



1: Leakage port



EC 1935/2004 FDA

### Application

Pressure rating [bar] 100

### Tests / approvals

Pressure Equipment Directive	A possible classification to PED depends on the application and has to be carried out by the user / operator.
Safety instructions	The compatibility between medium and product material has to be checked in all applications.
	With plant pressures of >16 bar to max. 100 bar: Select suitable components (Verify technical data).
	Make sure that clamp bracket and clamp seal correspond to the pressure range.

### Mechanical data

Weight [g]	156.5
Materials	stainless steel (1.4435 / 316L)
Sensor connection	G 1
Process connection	Clamp DN25...DN40 (1...1,5") DIN 32676 (ISO 2852)
Surface characteristics Ra/Rz of the wetted parts	0.4 / 4
Sealing	Gasket
Hygienic equipment class to DIN 11866	H4

### Accessories

Accessories (supplied)	O-ring 26 x 3 (EPDM), FDA compliant, E30438
	O-ring 26 x 3 (FKM), FDA compliant, E30437

# E33602



## Process adapter Tri-Clamp

ADAPT G1-CLAMP ISO2852/1-1.5

### Remarks

Pack quantity	1 pcs.
---------------	--------