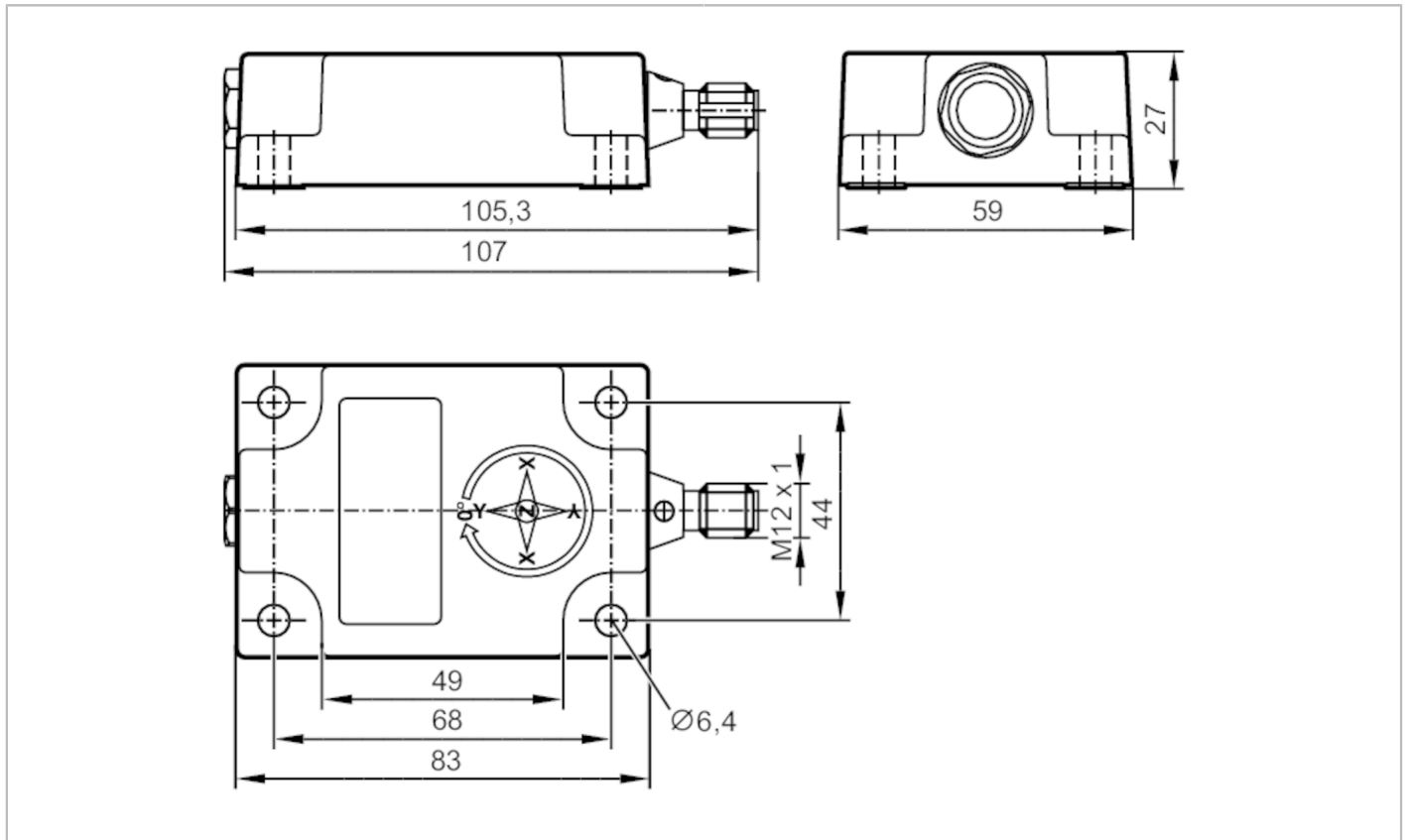




## Inclination sensor

INC-M1M360C-1-KG/US-V



| Product characteristics         |  |
|---------------------------------|--|
| Number of measurement axes      | 1; (Z)   |
| Dimensions [mm]                 | 27 x 59 x 105.3  |
| Inclination measurement         |  |
| Angular range [°]               | 0 ... 360  |
| Application                     |  |
| Application                     | High-precision inclination measurement in dynamic applications |
| Electrical data                 |  |
| Operating voltage [V]           | 9...30 DC  |
| Current consumption [mA]        | < 65; (9 ... 30 V DC)  |
| Min. insulation resistance [MΩ] | 100; (500 V DC)  |
| Protection class                | III  |
| Reverse polarity protection     | yes  |
| Reverse polarity protection     | yes  |
| Measuring/setting range         |  |
| Measuring principle             | MEMS capacitive; (Acceleration sensor ; gyroscope)             |
| Number of measurement axes      | 1  |
| Number of measurement axes      | 1; (Z)   |

# JD1111



## Inclination sensor

INC-M1M360C-1-KG/US-V

| Inclination measurement          |                     |  |
|----------------------------------|---------------------|--|
| Angular range                    | [°]                 | 0 ... 360  |
| Angular range                    | [°]                 | 0 ... 360  |
| Measuring range acceleration     | [g]                 | ± 4  |
| Measuring range vehicle yaw rate | [°/s]               | ± 500  |
| Accuracy / deviations            |                     |  |
| Repeatability                    | [°]                 | ± 0,05   |
| Resolution                       | [°]                 | 0.01; (parameterisable)  |
| Hysteresis                       | [°]                 | 0.05   |
| Temperature coefficient          | [1/K]               | ≤ ± 0,008°   |
| Dynamic measurement              |                     |  |
| Accuracy                         | [°]                 | ± 0,5  |
| Static measurement               |                     |  |
| Accuracy                         | [°]                 | ± 0,3  |
| Interfaces                       |                     |  |
| Communication interface          |                     | CAN  |
| Number of CAN interfaces         |                     | 1  |
| Protocol                         |                     | CANopen  |
| Factory settings                 |                     | Baud rate: 125 kBit/s<br>node ID: 10                                   |
| Version                          |                     | CiA DS-410   |
| Operating conditions             |                     |  |
| Ambient temperature              | [°C]                | -40...85   |
| Storage temperature              | [°C]                | -40...85   |
| Protection                       |                     | IP 67; IP 68; IP 69K   |
| Tests / approvals                |                     |  |
| EMC                              |                     | DIN EN 61000-6-2   |
|                                  |                     | DIN EN 61000-6-4   |
| Shock resistance                 |                     | DIN EN 60068-2-27  |
| Vibration resistance             |                     | DIN EN 60068-2-6   |
| MTTF                             | [years]             | 260  |
| Mechanical data                  |                     |  |
| Weight                           | [g]                 | 197.5  |
| Dimensions                       | [mm]                | 27 x 59 x 105.3  |
| Materials                        |                     | housing: diecast aluminium black; potting compound: polyurethane resin |
| Displays / operating elements    |                     |  |
| Display                          | preoperational mode | 1 x LED, green   |
|                                  | operational mode    | 1 x LED, green flashing  |
|                                  | fault               | 1 x LED, red   |
| Accessories                      |                     |  |
| Accessories (supplied)           |                     | Protective cover: 1  |
| Remarks                          |                     |  |
| Pack quantity                    |                     | 1 pcs.   |



## Inclination sensor

INC-M1M360C-1-KG/US-V

### Electrical connection - CAN-In

|   |            |
|---|------------|
| 1 | CAN Screen |
| 2 | + UB       |
| 3 | CAN_GND    |
| 4 | CAN_H      |
| 5 | CAN_L      |

Connector: 1 x M12

