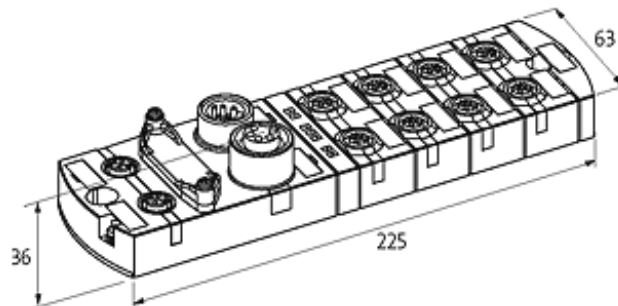


IMPACT67 COMPACT MODULE, PLASTIC

Ethernet/IP, 8 dig. Out

Digital outputs
DO8 - 2 A

For connection cables please see chapter "Connection Technology" Housings potted on the back

[Link to Product](#)**Illustration**

Product may differ from Image

Approvals**More Info****EtherNet/IP**
CONFIRMED BUILD**Connections**

| | |
|-------------------------------|----------------------------|
| Fieldbus | M12, D-coded |
| Sensor-system/actuator supply | 7/8", 5-pole, 2 × max. 9 A |
| I/O ports | M12, A-coded, 5-pole |

Fieldbus

| | |
|-------------------|--|
| Operating voltage | 24 V DC (EN 61131-2) |
| Operating modes | Autonegotiation/Auto MDI/MDI-X |
| Transfer rate | to 100 Mbit/s Full Duplex |
| Addressing | DHCP, BOOTP or IP address by rotary switch |

General data

| | |
|----------------------|---|
| Protection | IP67 |
| Mounting method | 2 hole screw mounting, compatible with I/O modules of MVK model range |
| Temperature range | -25...+55 °C (storage temperature -25...+70 °C) |
| Dimensions H × W × D | 39×63×225 mm |

Output

| | |
|------------------------------|---|
| Switching current per output | max. 2 A (short-circuit and overload protected) |
|------------------------------|---|

Diagnostic

| | |
|----------------------------|------------------------|
| Communication status | via LED |
| Diagnostic via LED | per module and channel |
| Diagnostic via BUS | per module and channel |
| Monitoring - under voltage | yes |
| Monitoring - no voltage | yes |
| Short circuit and overload | yes |

Commercial data

| | |
|------------------------|----------|
| country of origin | DE |
| customs tariff number | 85176200 |
| minimum order quantity | 1 |