



CONTACTOR, AC-6B, 50KVAR/400V, 2 NC, AC(50-60HZ)//DC OPERATION 20 TO 33V AC/DC, 3P., SIZE S2 SCREW TERMINAL

Figure similar

| | |
|---------------------|----------------------------|
| product brand name | SIRIUS |
| Product designation | 3RT26 capacitor contactors |

General technical data:

| | | |
|--|----|-----------|
| Insulation voltage | | |
| • Rated value | V | 690 |
| Degree of pollution | | 3 |
| Surge voltage resistance Rated value | kV | 6 |
| Mechanical service life (switching cycles) | | |
| • of the contactor with added auxiliary switch block typical | | 3 000 000 |
| Electrical endurance (switching cycles) | | 200 000 |
| Protection class IP | | |
| • on the front | | IP20 |
| Equipment marking | | |
| • acc. to DIN EN 61346-2 | | Q |
| • acc. to DIN EN 81346-2 | | Q |

Main circuit:

| | | |
|--|---|------|
| Number of NC contacts for main contacts | | 0 |
| Number of NO contacts for main contacts | | 3 |
| Operating current | | |
| • at AC-6b at 690 V | | |
| — at ambient temperature 40 °C Rated value | A | 75.8 |
| — at ambient temperature 60 °C Rated value | A | 72.2 |

Control circuit/ Control:

| | | |
|---|-----|-------------|
| Type of voltage | | AC/DC |
| Type of voltage of the control supply voltage | | AC/DC |
| Control supply voltage with AC | | |
| • at 50 Hz Rated value | V | 20 ... 33 |
| • at 60 Hz Rated value | V | 20 ... 33 |
| Control supply voltage for DC | | |
| • Rated value | V | 20 ... 33 |
| • Rated value | Hz | 50 |
| Control supply voltage frequency 2 Rated value | Hz | 60 |
| Operating range factor control supply voltage rated value of the magnet coil with AC | | |
| • at 50 Hz | | 0.8 ... 1.1 |
| • at 60 Hz | | 0.8 ... 1.1 |
| Operating range factor control supply voltage rated value of the magnet coil for DC | | 0.8 ... 1.1 |
| Apparent pick-up power of the magnet coil with AC | V·A | 40 |
| Closing power of the magnet coil for DC | W | 25 |
| Holding power of the magnet coil for DC | W | 1.5 |
| Inductive power factor | | |
| • with closing power of the coil | | 0.74 |
| • with the holding power of the coil | | 1 |

Auxiliary circuit:

| | | |
|---|---|-----|
| Number of NC contacts | | |
| • for auxiliary contacts | | 2 |
| — attachable | | 1 |
| — instantaneous contact | | 2 |
| Number of NO contacts | | |
| • for auxiliary contacts | | 0 |
| — attachable | | 1 |
| — instantaneous contact | | 0 |
| Product expansion Auxiliary switch | | Yes |
| Identification number and letter for switching elements | | 2Ö |
| Operating current of the auxiliary contacts at AC-12 maximum | A | 10 |
| Operating current of the auxiliary contacts at AC-15 | | |
| • at 230 V | A | 6 |
| • at 400 V | A | 3 |
| Operating current of the auxiliary contacts at DC-13 | | |
| • at 24 V | A | 6 |
| • at 60 V | A | 2 |
| • at 110 V | A | 1 |

| | | |
|--|---|------------|
| • at 125 V | A | 0.9 |
| • at 220 V | A | 0.3 |
| Contact reliability of the auxiliary contacts | | 0.00000001 |

UL/CSA ratings:

| | |
|--|-------------|
| Contact rating of the auxiliary contacts acc. to UL | A600 / Q600 |
|--|-------------|

Short-circuit:

| | | |
|---|--|---|
| Design of the fuse link | | |
| <ul style="list-style-type: none"> • for short-circuit protection of the main circuit <ul style="list-style-type: none"> — with type of assignment 1 required • for short-circuit protection of the auxiliary switch required | | gL/gG NH 3NA, DIAZED 5SB, NEOZED 5SE: 160 A fuse gL/gG: 10 A |

Installation/ mounting/ dimensions:

| | | |
|--|----|--|
| mounting position | | +/-180° rotation possible on vertical mounting surface; can be tilted forward and backward by +/- 22.5° on vertical mounting surface |
| Mounting type | | screw and snap-on mounting onto 35 mm standard mounting rail according to DIN EN 50022 |
| Height | mm | 114 |
| Width | mm | 65 |
| Depth | mm | 130 |
| Required spacing | | |
| <ul style="list-style-type: none"> • with side-by-side mounting <ul style="list-style-type: none"> — at the side • for grounded parts <ul style="list-style-type: none"> — at the side | mm | 10 |
| | mm | 10 |

Connections/ Terminals:

| | | |
|--|--|---|
| Type of electrical connection | | |
| <ul style="list-style-type: none"> • for main current circuit • for auxiliary and control current circuit | | screw-type terminals screw-type terminals |
| Type of connectable conductor cross-section | | |
| <ul style="list-style-type: none"> • for main contacts <ul style="list-style-type: none"> — solid — stranded — single or multi-stranded — finely stranded with core end processing • for auxiliary contacts <ul style="list-style-type: none"> — solid — single or multi-stranded — finely stranded with core end processing • for AWG conductors for auxiliary contacts | | 2x (0.75 ... 16 mm ²) 2x (16 ... 35 mm ²), 1x (16 ... 50 mm ²) 2x (1 ... 35 mm ²), 1x (1 ... 50 mm ²) 2x (1 ... 25 mm ²), 1x (1 ... 35 mm ²) 2x (0.5 ... 1.5 mm ²), 2x (0.75 ... 2.5 mm ²), 2x 4 mm ² 2x (0,5 ... 1,5 mm ²), 2x (0,75 ... 2,5 mm ²), 2x 4 mm ² 2x (0.5 ... 1.5 mm ²), 2x (0.75 ... 2.5 mm ²) 2x (20 ... 16), 2x (18 ... 14), 2x 12 |

| | | |
|--|--|--|
| Type of minimum connectable cross-section for main contacts at AC-6b | | |
| <ul style="list-style-type: none"> • at 40 °C • at 60 °C | | 1x 35 mm ² 1x 50 mm ² |

Safety related data:

| | | |
|--|--|-------------|
| Product function Mirror contact acc. to IEC 60947-4-1 | | No |
| Protection against electrical shock | | finger-safe |

Mechanical data:

| | | |
|--------------------------|--|----|
| Size of contactor | | S2 |
|--------------------------|--|----|

Ambient conditions:

| | | |
|--|----------|----------------------------|
| Installation altitude at height above sea level maximum | m | 2 000 |
| Ambient temperature | | |
| <ul style="list-style-type: none"> • during operation • during storage | °C °C | -25 ... +60 -55 ... +80 |

Certificates/ approvals:

| | |
|---------------------------------|--------------|
| General Product Approval | other |
|---------------------------------|--------------|



[Environmental Confirmations](#)

Further information

Information- and Downloadcenter (Catalogs, Brochures,...)

<http://www.siemens.com/industrial-controls/catalogs>

Industry Mall (Online ordering system)

<http://www.siemens.com/industrymall>

Cax online generator

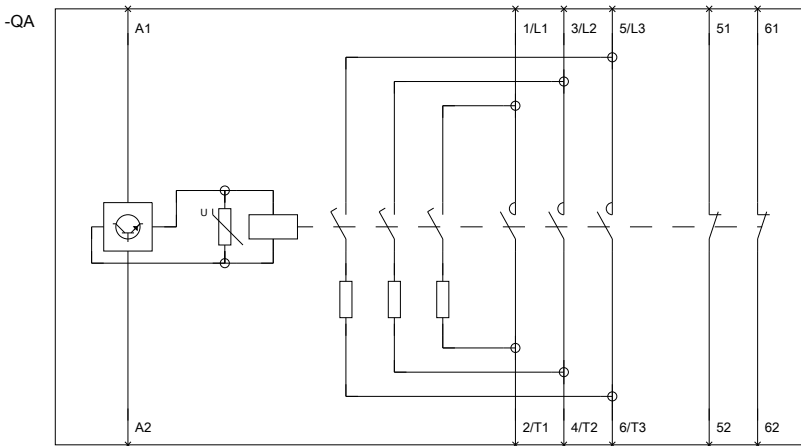
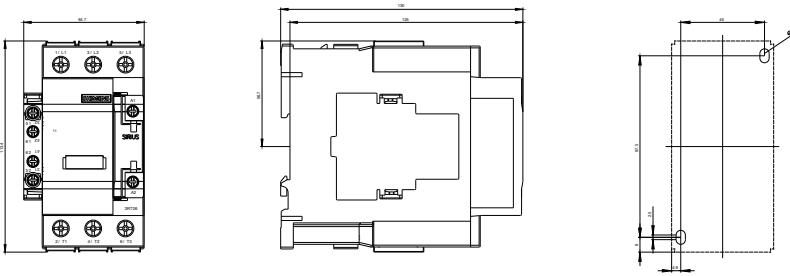
<http://support.automation.siemens.com/WW/CAXorder/default.aspx?lang=en&mlfb=3RT26361NB35>

Service&Support (Manuals, Certificates, Characteristics, FAQs,...)

<http://support.automation.siemens.com/WW/view/en/3RT26361NB35/all>

Image database (product images, 2D dimension drawings, 3D models, device circuit diagrams, EPLAN macros, ...)

http://www.automation.siemens.com/bilddb/cax_de.aspx?mlfb=3RT26361NB35&lang=en



last modified:

11.03.2015