



SAFETY POSITION SWITCH WITH SEPERATE ACTUATOR MOLDED PLASTIC ENCLOSED SHORT ENCLOSURE, 3X (M20X1.5), LATERAL AND FRONTAL OPERATION, SLOW-ACTION CONTACTS, 1NC EXTRACTION FORCE 30N DELIVERY WITHOUT ACTUATOR

Figure similar

| | | |
|--|--|------------------------------------|
| Product designation | | safety position switch |
| General technical data: | | |
| Protection class IP | | IP65 |
| Equipment marking | | B |
| <ul style="list-style-type: none"> • acc. to DIN EN 61346-2 • acc. to DIN EN 81346-2 | | B |
| Active principle | | mechanical |
| Explosion protection category for dust | | none |
| Explosion protection category for gas | | none |
| Enclosure: | | |
| Design of the housing | | wide |
| Material of the enclosure | | glass fiber reinforced thermoplast |
| Coating of the enclosure | | Other types |
| Design of the housing acc. to standard | | No |
| Drive Head: | | |
| Design of the operating mechanism | | without |
| Design of the switching function | | positive opening |
| Connections/ Terminals: | | |
| Type of electrical connection | | screw-type terminals |
| Communication/ Protocol: | | |
| Design of the interface | | without |
| Ambient conditions: | | |
| Ambient temperature | | |

• during operation

°C -30 ... +85

Installation/ mounting/ dimensions:

Mounting type

screw fixing

Certificates/ approvals:

General Product Approval

Declaration of
Conformity

Shipping
Approval



CCC



CSA



UL



EG-Konf.



ABS

Shipping Approval

other



LRS



PRS



RINA

[Confirmation](#)

[other](#)

Further information

Information- and Downloadcenter (Catalogs, Brochures,...)

<http://www.siemens.com/industrial-controls/catalogs>

Industry Mall (Online ordering system)

<http://www.siemens.com/industrymall>

Cax online generator

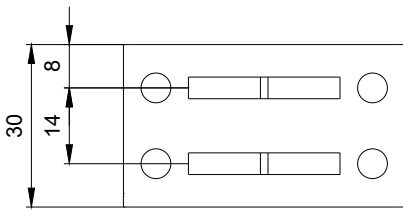
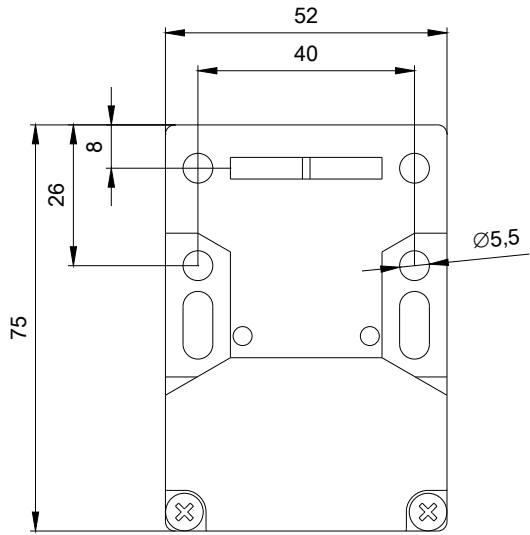
<http://support.automation.siemens.com/WW/CAXorder/default.aspx?lang=en&mlfb=3SE22576XX>

Service&Support (Manuals, Certificates, Characteristics, FAQs,...)

<http://support.automation.siemens.com/WW/view/en/3SE22576XX/all>

Image database (product images, 2D dimension drawings, 3D models, device circuit diagrams, EPLAN macros, ...)

http://www.automation.siemens.com/bilddb/cax_de.aspx?mlfb=3SE22576XX&lang=en



last modified:

16.03.2015