

Hinges • elongated on both sides  
25165.1010



**Product Description**

The different versions cover many applications that require a low load. These metal hinges are characterised by their simple design and the different versions:

- without bores
- with bores
- with bores for countersunk screws

The version without bores can be assembled by welding or by inserting a specific drilling pattern.

**Material**

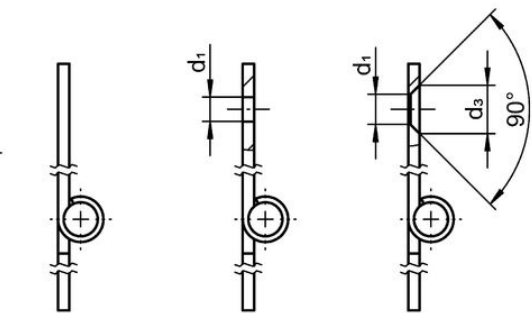
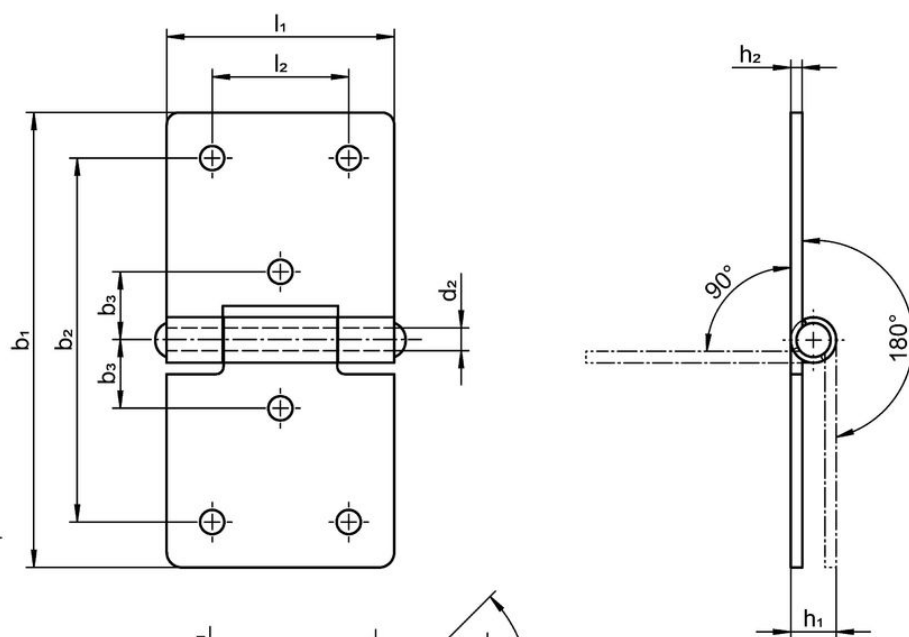
**Body**

- Steel, zinc-plated by galvanization, passivated

**Axis**

- Stainless steel 1.4301

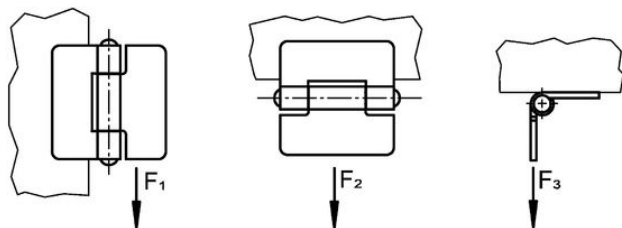
**Drawing**




picture 1

picture 2

picture 3



Order information

Dimensions									Holding force				Art. No.
b <sub>1</sub>	l <sub>1</sub>	b <sub>2</sub>	b <sub>3</sub>	d <sub>1</sub>	d <sub>2</sub>	h <sub>1</sub> ~	h <sub>2</sub>	l <sub>2</sub>	F <sub>1</sub> ~	F <sub>2</sub> ~ [N]	F <sub>3</sub> ~		
with bores – picture 2, Steel													
120	60	96	18	5.2	6	10	2	36	1100	2500	1000	138	25165.1010

Compliance

**RoHS-compliant**

Compliant with Directive 2011/65/EU [RoHS].

**Does not contain SVHC substances**

No SVHC substances with more than 0.1% w/w contained - SVHC list [REACH] as of 25.06.2025.

**SCIP-code**

N/A

**Does not contain Proposition 65 substances**

No Proposition 65 substances included.

<https://www.P65Warnings.ca.gov/>

**Free from Conflict Minerals**

This product does not contain any substances designated as "conflict minerals" such as tantalum, tin, gold or tungsten from the Democratic Republic of Congo or adjacent countries.

**POP-compliant**

Contains no persistent organic pollutants – Stockholm Convention [POP] as of September 2025.

**PFAS-compliant**

Contains no per- and polyfluoroalkyl substances (PFAS).

**TSCA-compliant**

Agent concentration in this product does not exceed the specified threshold.