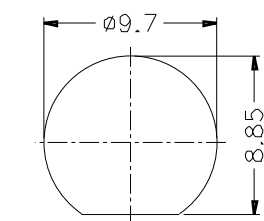
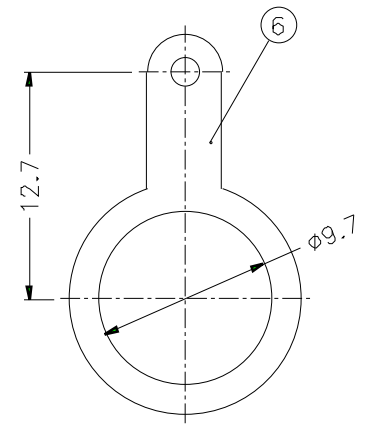
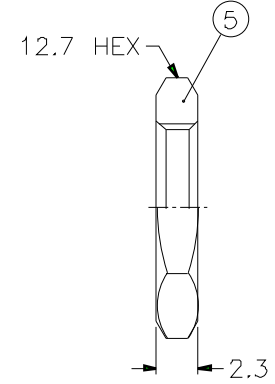
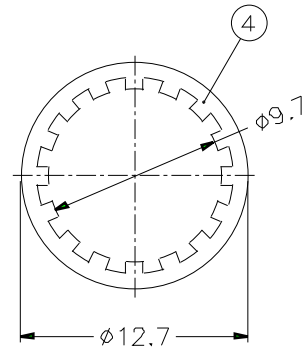


REVISIONS		
ISS	ZONE	DESCRIPTION\PER REQUEST\DATE



RECOMMENDED MOUNTING HOLE



NOTES: FINISH (PLATING THICKNESS IN MICRO-INCHES)  
 1. BRASS PER QQ-B-626  
 2. BRASS PER QQ-B-613  
 3. NICKEL PL. 100 MIN. THICK OVER COPPER STRIKE  
 4. PHOSPHOR BRONZE PER QQ-B-750  
 5. GOLD PL. 3 MIN. THICK OVER NICKEL PL. 100 MIN. THICK OVER COPPER STRIKE

1. MAX. PANEL THICKNESS=3.2mm

DIMENSIONS ARE IN MILLIMETERS						PART NO. B6351B1-ND3G-75		<h1 style="text-align: center;">Amphenol</h1>			
UNLESS OTHERWISE SPECIFIED TOLERANCES						APPROVED DATE 10-11-01'				TITLE BNC BULKHEAD RECEPT. JACK	
0.5-6 = ±0.2						CHECKED DATE 10-11-01'				DRAWING NO. KJ-B6351B1-ND3G-75	
6-30 = ±0.4						DRAWN DATE 10-11-01'				ITEM NO.	
6	SOLDER TAG	NOTE 2	NOTE 3	1	B7310-7	SCALE	2.5/1	ISSUE	A	FILE NO.	
5	HEX NUT	NOTE 1	NOTE 3	1	HN127-3/8-32 X23						
4	LOCK WASHER	NOTE 2	NOTE 3	1	LW-127/97X05						
3	CONTACT PIN	NOTE 4	NOTE 5	1	B7310-3-75						
2	INSULATOR	DELTRIN	NATURAL	1	B7310-2-75						
1	BODY	NOTE 1	NOTE 3	1	B7310-1						