

EC centrifugal fan

forward-curved, single-intake

with housing (flange)

ebm-papst Mulfingen GmbH & Co. KG

Bachmühle 2 · D-74673 Mulfingen

Phone +49 7938 81-0

Fax +49 7938 81-110

info1@de.ebmpapst.com

www.ebmpapst.com

Limited partnership · Headquarters Mulfingen

Amtsgericht (court of registration) Stuttgart · HRA 590344

General partner Elektrobau Mulfingen GmbH · Headquarters Mulfingen

Amtsgericht (court of registration) Stuttgart · HRB 590142



Nominal data

Type	G3G146-FK07-02	
Motor	M3G055-DF	
Phase		1~
Nominal voltage	VAC	230
Nominal voltage range	VAC	200 .. 240
Frequency	Hz	50/60
Method of obtaining data		ml
Speed (rpm)	min ⁻¹	2320
Power consumption	W	166
Current draw	A	1.3
Min. ambient temperature	°C	-25
Max. ambient temperature	°C	60

ml = Max. load · me = Max. efficiency · fa = Free air · cs = Customer specification · ce = Customer equipment
Subject to change

Data according to ErP Directive

		Actual	Req. 2015
01 Overall efficiency η_{es}	%	47.2	32.1
02 Measurement category		A	
03 Efficiency category		Static	
04 Efficiency grade N		59.1	44
05 Variable speed drive		Yes	

Data obtained at optimum efficiency level.

The ErP data is determined using a motor-impeller combination in a standardized measurement setup.

09 Power consumption P_{ed}	kW	0.13
09 Air flow q_v	m ³ /h	350
09 Pressure increase p_{fs}	Pa	569
10 Speed (rpm) n	min ⁻¹	3065
11 Specific ratio*		1.01

* Specific ratio = $1 + p_{fs} / 100\,000\text{ Pa}$

LU-138752



EC centrifugal fan

forward-curved, single-intake

with housing (flange)

Technical description

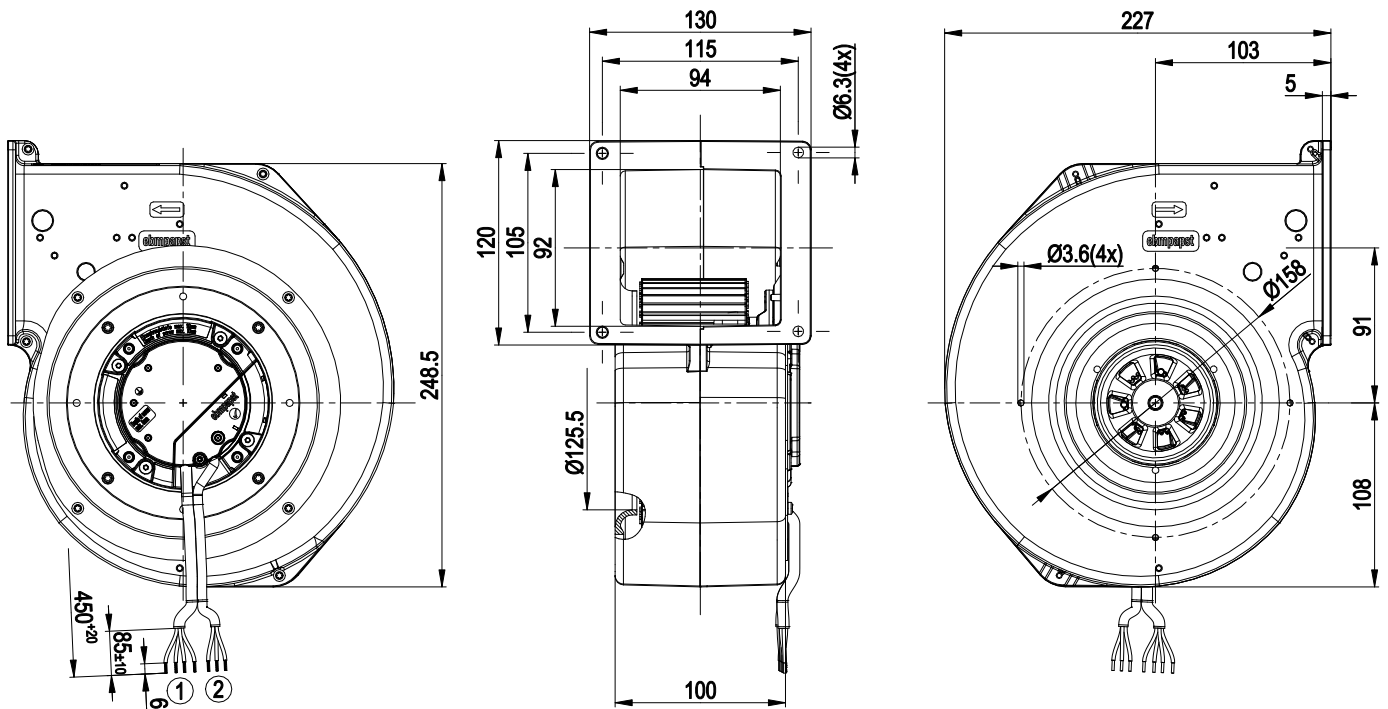
Weight	3 kg
Fan size	146 mm
Impeller material	Sheet steel, galvanized
Housing material	Die-cast aluminum
Direction of rotation	Clockwise, viewed toward rotor
Degree of protection	IP54
Insulation class	"B"
Max. permitted ambient temp. for motor (transport/storage)	+ 80 °C
Min. permitted ambient temp. for motor (transport/storage)	- 40 °C
Installation position	Any
Condensation drainage holes	None, open rotor
Mode	S1
Motor bearing	Ball bearing
Technical features	<ul style="list-style-type: none"> - Output 10 VDC, max. 1.1 mA - Tach output - Power limit - Motor current limitation - Soft start - Control input 0-10 VDC / PWM - Thermal overload protection for motor
Touch current according to IEC 60990 (measuring circuit Fig. 4, TN system)	<= 3.5 mA
Motor protection	Locked-rotor protection
With cable	Variable
Protection class	I (with customer connection of protective earth)
Conformity with standards	EN 60335-1; CE
Approval	CCC

G3G146-FK07-02

EC centrifugal fan

forward-curved, single-intake
with housing (flange)

Product drawing



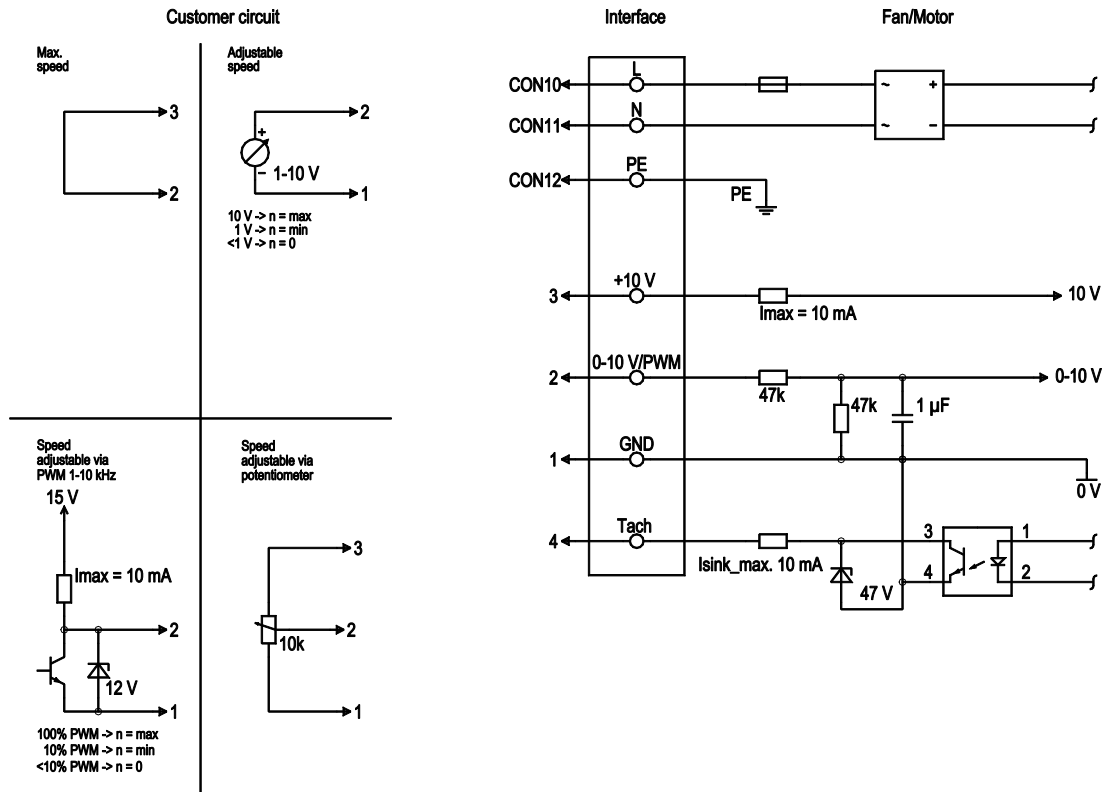
- | | |
|---|--|
| 1 | Cable PVC 4x AWG22, 4x crimped splices |
| 2 | Cable PVC 3x AWG20, 3x crimped splices |



EC centrifugal fan

forward-curved, single-intake
with housing (flange)

Connection diagram



No.	Conn.	Designation	Color	Function/assignment
	CON10	L	black	Supply connection, power supply, phase, see nameplate for voltage range
	CON11	N	blue	Supply connection, power supply, neutral conductor, see nameplate for voltage range
	CON12	PE	green/yellow	Ground connection
	2	0- 10V PWM	yellow	0-10 V / PWM control input, R _i =100 kΩ, SELV
	4	Tach	white	Tach output, open collector, 1 pulse per revolution, I _{sink max} = 10 mA, SELV
	3	+10 V	red	Fixed voltage output 10 VDC +/-3 %, I _{max} . 10 mA, short-circuit-proof, power supply for ext. devices (e.g. pot), SELV
	1	GND	blue	Reference ground for control interface, SELV

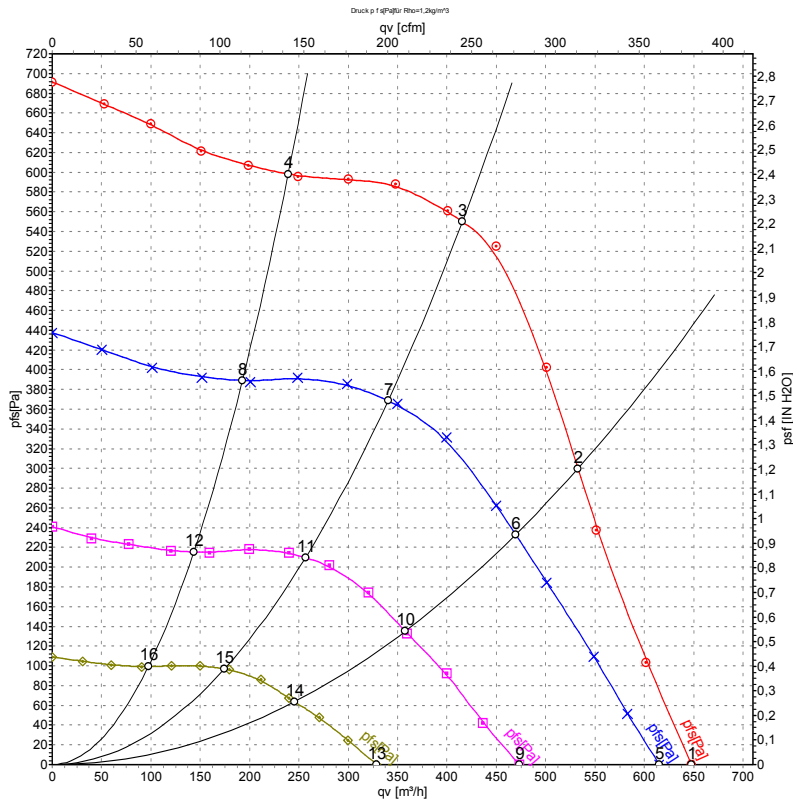


EC centrifugal fan

forward-curved, single-intake

with housing (flange)

Curves: Air performance 50 Hz



Measurement: LU-138752-1
 Measurement: LU-138757-1
 Measurement: LU-138758-1
 Measurement: LU-138759-1

Air performance measured according to ISO 5801 installation category A. For detailed information on the measurement setup, contact ebmpapst. Intake sound level: Sound power level according to ISO 13347 / sound pressure level measured at 1 m distance from fan axis. The values given are valid under the specified measuring conditions and may vary due to conditions of installation. For deviations from the standard configuration, the parameters have to be checked on the installed unit.

Measured values

	U	f	n	P _{ed}	I	LpA _{in}	LwA _{in}	qv	p _{fs}	qv	p _{fs}
	V	Hz	min ⁻¹	W	A	dB(A)	dB(A)	m ³ /h	Pa	CFM	inH2O
1	230	50	2320	166	1.30	70	76	650	0	380	0.00
2	230	50	2645	166	1.30	69	75	535	300	315	1.20
3	230	50	2990	157	1.20	68	75	415	550	245	2.21
4	230	50	3170	109	0.90	68	75	240	600	140	2.41
5	230	50	2215	147	1.03			615	0	360	0.00
6	230	50	2355	115	0.82			470	233	275	0.94
7	230	50	2475	87	0.63			340	369	200	1.48
8	230	50	2575	63	0.45			195	389	115	1.56
9	230	50	1725	70	0.49			475	0	280	0.00
10	230	50	1810	54	0.39			360	135	210	0.54
11	230	50	1880	42	0.31			255	210	150	0.84
12	230	50	1945	29	0.22			145	215	85	0.86
13	230	50	1210	26	0.20			330	0	195	0.00
14	230	50	1255	21	0.17			245	64	145	0.26
15	230	50	1295	16	0.13			175	97	100	0.39
16	230	50	1335	13	0.11			95	99	55	0.40

U = Power supply · f = Frequency · n = Speed (rpm) · P_{ed} = Power consumption · I = Current draw · LpA_{in} = Sound pressure level intake side · LwA_{in} = Sound power level intake side
 qv = Air flow · p_{fs} = Pressure increase

