

7-2834006-2 ✓ ACTIVE

### Buchanan WireMate

TE Internal #: 7-2834006-2

Poke-In Connectors, Wire-to-Board, 2 Position, 4mm Centerline,  
Printed Circuit Board, Connector Height .176 in [4.48 mm], Surface  
Mount

[View on TE.com >](#)



Connectors > Lighting Connectors > Poke-In Connectors > BUCHANAN WIREMATE POKE-IN



Connector System: **Wire-to-Board**

Number of Positions: **2**

Centerline (Pitch): **4 mm**

Sealable: **No**

Connector & Contact Terminates To: **Printed Circuit Board**

[All BUCHANAN WIREMATE POKE-IN \(51\)](#)

## Features

### Product Type Features

Product Type	Connector
Connector Type	Connector Assembly
Glow Wire Rating	Standard Part - Not Glow Wire
Connector Style	Receptacle
Product Line	Poke-In
Connector System	Wire-to-Board
Sealable	No
Connector & Contact Terminates To	Printed Circuit Board

### Configuration Features

Number of Positions	2
---------------------	---

### Electrical Characteristics

Operating Voltage	400 VAC
-------------------	---------



### Contact Features

Contact Termination Area Plating Finish	Matte
Contact Termination Area Plating Material	Tin-Lead over Nickel
Contact Current Rating (Max)	6 A

### Termination Features

Termination Method to Printed Circuit Board	Surface Mount
---	---------------

### Mechanical Attachment

Connector Mounting Type	Board Mount
-------------------------	-------------

### Housing Features

Housing Color	Natural
Centerline (Pitch)	4 mm

### Dimensions

Accepts Wire Insulation Diameter Range	2.1 mm
Connector Height	4.48 mm [.176 in]
Wire Size	18 – 22 AWG

### Operation/Application

SMT Compatible	Yes
----------------	-----

### Industry Standards

Agency/Standard	UL
Agency/Standard Number	UL 1977
UL Flammability Rating	UL 94V-0
UL File Number	E28476

### Packaging Features

Packaging Method	Tape & Reel
------------------	-------------

### Product Compliance

[For compliance documentation, visit the product page on TE.com>](#)

EU RoHS Directive 2011/65/EU	Compliant
EU ELV Directive 2000/53/EC	Compliant
China RoHS 2 Directive MIIT Order No 32, 2016	No Restricted Materials Above Threshold
EU REACH Regulation (EC) No. 1907/2006	Current ECHA Candidate List: JAN 2021 (211)



Candidate List Declared Against: JUN 2020  
(209)  
SVHC > Threshold:  
Not Yet Reviewed

Halogen Content  
Low Halogen - Br, Cl, F, I < 900 ppm per homogenous material. Also BFR/CFR/PVC Free

Solder Process Capability  
Reflow solder capable to 245°C

Product Compliance Disclaimer

This information is provided based on reasonable inquiry of our suppliers and represents our current actual knowledge based on the information they provided. This information is subject to change. The part numbers that TE has identified as EU RoHS compliant have a maximum concentration of 0.1% by weight in homogenous materials for lead, hexavalent chromium, mercury, PBB, PBDE, DBP, BBP, DEHP, DIBP, and 0.01% for cadmium, or qualify for an exemption to these limits as defined in the Annexes of Directive 2011/65/EU (RoHS2). Finished electrical and electronic equipment products will be CE marked as required by Directive 2011/65/EU. Components may not be CE marked. Additionally, the part numbers that TE has identified as EU ELV compliant have a maximum concentration of 0.1% by weight in homogenous materials for lead, hexavalent chromium, and mercury, and 0.01% for cadmium, or qualify for an exemption to these limits as defined in the Annexes of Directive 2000/53/EC (ELV). Regarding the REACH Regulation, the information TE provides on SVHC in articles for this part number is based on the latest European Chemicals Agency (ECHA) 'Guidance on requirements for substances in articles' posted at this URL: <https://echa.europa.eu/guidance-documents/guidance-on-reach>

### Compatible Parts



TE Part # 2834006-2  
RELEASE POKE-IN  
CONNECTOR\_2POLES



TE Part # 2324697-3  
PUSH GRIP CONNECTOR 3P



TE Part # 3-2834245-1  
3P, FLEX GRIP WIRE CONNECTOR

### Customers Also Bought



TE Part #1-2007492-8  
SFP+assy2x1 EMI Sprng No Lp Sn  
Enhanced



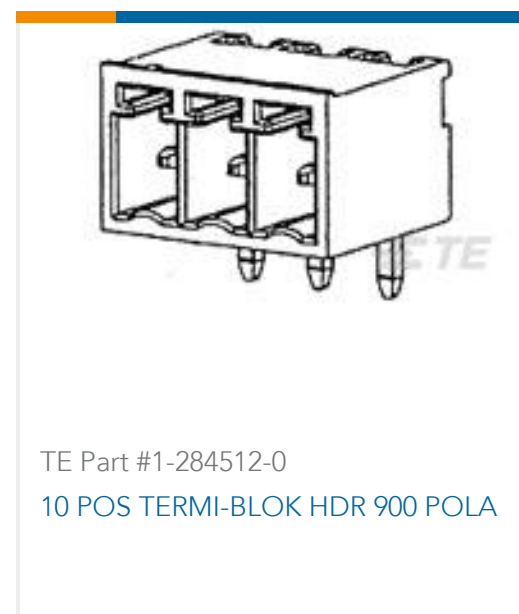
TE Part #1-2834006-0  
BUCHANAN WIREMATE POKE-IN



TE Part #1-2176070-2  
3521 30R 1% 2W



TE Part #1410971-3  
MULTIGIG RT T2 7RW H-LFT RTM



## Documents

### Product Drawings

[2P MRPK CONN\\_RD/BK](#)

English

### CAD Files

[3D PDF](#)

3D

Customer View Model

[ENG\\_CVM\\_CVM\\_7-2834006-2\\_B.2d\\_dxf.zip](#)

English

Customer View Model

[ENG\\_CVM\\_CVM\\_7-2834006-2\\_B.3d\\_igs.zip](#)

English

Customer View Model

[ENG\\_CVM\\_CVM\\_7-2834006-2\\_B.3d\\_stp.zip](#)

English

By downloading the CAD file I accept and agree to the [Terms and Conditions](#) of use.

### Datasheets & Catalog Pages

[Modular Releasable Poke-in datasheet](#)

English

[BUCHANAN WireMate Connectors Brochure](#)

[BUCHANAN WireMate Connectors Brochure](#)

English

[Modular Releasable Poke-in datasheet \(Chinese\)](#)

### Product Specifications



### Application Specification

English

---

### Product Environmental Compliance

#### Product Compliance

English

#### Product Compliance

English

---

### Agency Approvals

#### UL Report

English