



[Connectors](#) > [Power Connectors](#) > [Circular Power](#) > [Circular Power Connectors](#) > [CPC SERIES 6 TWO-PIECE](#)



Connector Product Type: **Housing**

Operating Voltage: **600 VDC**

Connector System: **Wire-to-Wire**

Number of Positions: **9**

Sealable: **Yes**

[All CPC SERIES 6 TWO-PIECE \(6\)](#)

## Features

### Product Type Features

Connector Product Type	Housing
Connector System	Wire-to-Wire
Sealable	Yes
Connector & Contact Terminates To	Wire & Cable
Connector & Housing Type	Receptacle
Circular Connector Shell Type	All Plastic

### Configuration Features

Reverse Numbering	Without
Number of Positions	9
Number of Power Positions	0
Seal Type	Peripheral
Keying	A
Number of Signal Positions	9

### Electrical Characteristics

Operating Voltage	600 VAC
-------------------	---------

### Contact Features

Reverse Gender	No
----------------	----

Contact Type	Pin
Contact Current Rating (Max)	13 A
Contact Protection	With

#### Mechanical Attachment

Panel Mount Feature Type	Flange
Screw & Hole Thread Size	3/4 - 20 UNEF-2A
Connector Mounting Type	Cable Mount (Free-Hanging)
Mating Alignment	With
Mating Retention	With
Panel Mount Feature	Without
Mating Alignment Type	Keyed
Mating Retention Type	Threaded Coupling

#### Housing Features

Body Orientation	Straight
Housing Color	Black
Housing Material	PA 6.6 GF
Circular Connector Shell Size	13

#### Usage Conditions

Operating Temperature Range	-55 – 105 °C[-67 – 221 °F]
Fluid Resistance	Immersion

#### Operation/Application

Circuit Application	Signal
Shielded	No

#### Industry Standards

UL Flammability Rating	UL 94V-0
VDE Tested	No

#### Packaging Features

Packaging Method	Standard
Packaging Quantity	1

#### Product Compliance

[For compliance documentation, visit the product page on TE.com>](#)



EU RoHS Directive 2011/65/EU	Compliant
EU ELV Directive 2000/53/EC	Compliant
China RoHS 2 Directive MIIT Order No 32, 2016	No Restricted Materials Above Threshold
EU REACH Regulation (EC) No. 1907/2006	Current ECHA Candidate List: JUL 2021 (219) Candidate List Declared Against: JUL 2021 (219) Does not contain REACH SVHC
Halogen Content	BFR/CFR/PVC Free, but Br/Cl >900 ppm in other sources.
Solder Process Capability	Not applicable for solder process capability

Product Compliance Disclaimer

This information is provided based on reasonable inquiry of our suppliers and represents our current actual knowledge based on the information they provided. This information is subject to change. The part numbers that TE has identified as EU RoHS compliant have a maximum concentration of 0.1% by weight in homogenous materials for lead, hexavalent chromium, mercury, PBB, PBDE, DBP, BBP, DEHP, DIBP, and 0.01% for cadmium, or qualify for an exemption to these limits as defined in the Annexes of Directive 2011/65/EU (RoHS2). Finished electrical and electronic equipment products will be CE marked as required by Directive 2011/65/EU. Components may not be CE marked. Additionally, the part numbers that TE has identified as EU ELV compliant have a maximum concentration of 0.1% by weight in homogenous materials for lead, hexavalent chromium, and mercury, and 0.01% for cadmium, or qualify for an exemption to these limits as defined in the Annexes of Directive 2000/53/EC (ELV). Regarding the REACH Regulation, the information TE provides on SVHC in articles for this part number is based on the latest European Chemicals Agency (ECHA) 'Guidance on requirements for substances in articles' posted at this URL: <https://echa.europa.eu/guidance-documents/guidance-on-reach>

### Compatible Parts



TE Part # 54123-1  
CPC,13 LONG TUBE



TE Part # 81665-4  
ECONOSEAL, FLANGE GASKET



TE Part # 206708-1  
CPC PLUG ASSEMBLY SIZE 13-9



TE Part # 211870-2  
SEALING CAP ASSY,SZ 13,CPC



TE Part # 213485-1  
CPC SEALING CAP ASSY SIZE 13

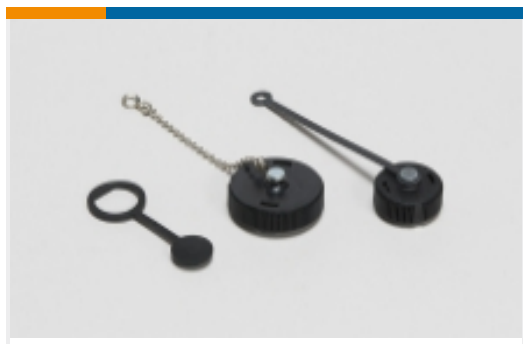
Also in the Series | **AMP CPC**



Circular Connector Adapters(7)



Circular Connector Boots & Strain Relief(6)



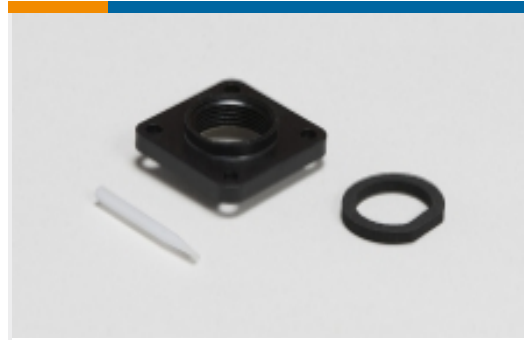
Circular Connector Caps & Covers(16)



Circular Connector Hardware(3)



Circular Connector Keying Plugs(2)



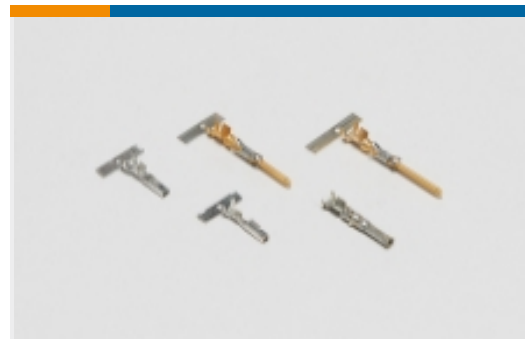
Circular Connector Seals(36)



Circular Power Connectors(513)



Insertion & Extraction Tools(1)



Power Contacts(5)

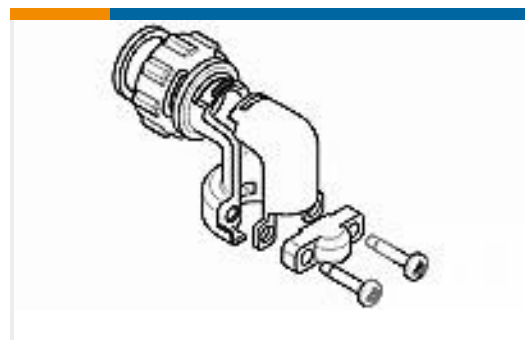


Sealing Sleeves(2)



Unscreened Circular Connector Backshells & Clamps(56)

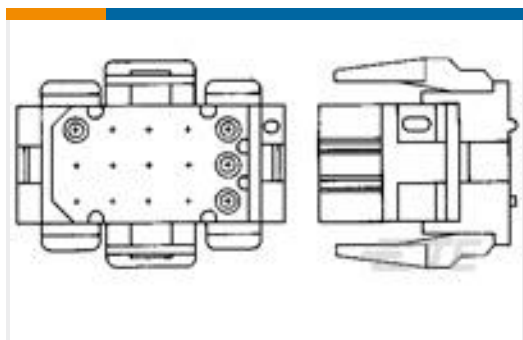
## Customers Also Bought



TE Part #1546348-2  
R/A CABLE CLAMP KIT, SZ 13, CPC



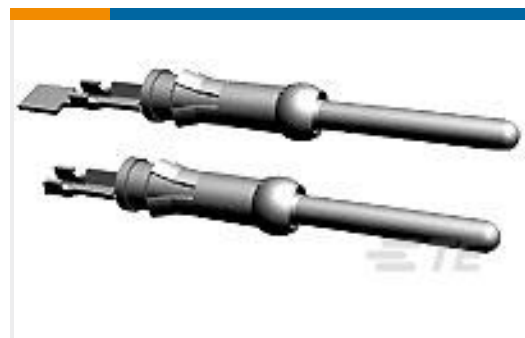
TE Part #169341-1  
HANDTOOL (HD-20)



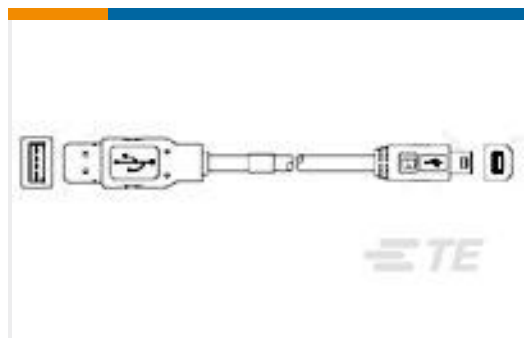
TE Part #1-640519-0  
04P MR II PLUG HSG V0 RED



TE Part #1-350766-2  
03P UMNL V0 PLUG HSG RED



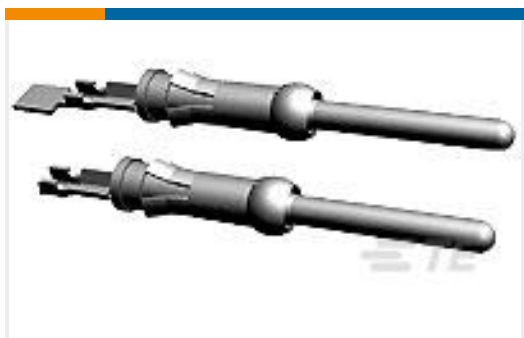
TE Part #1-66103-7  
III+ PIN, 24-20, 15AU/FL, SMPACK



TE Part #1487589-1  
USB, A-B, 25/22, WHITE, 3.0M



TE Part #1571634-1  
TACT SWITCH, SMT, SOFT ACTUATOR



TE Part #1-66099-4  
III+ PIN, 18-16, 30AU/FL, SMPACK





## Documents

### Product Drawings

[CPC RECPT ASSEMBLY SIZE 13-9](#)

English

### CAD Files

[3D PDF](#)

3D

Customer View Model

[ENG\\_CVM\\_CVM\\_206705-4\\_AK.2d\\_dxf.zip](#)

English

Customer View Model

[ENG\\_CVM\\_CVM\\_206705-4\\_AK.3d\\_igs.zip](#)

English

Customer View Model

[ENG\\_CVM\\_CVM\\_206705-4\\_AK.3d\\_stp.zip](#)

English

By downloading the CAD file I accept and agree to the [Terms and Conditions](#) of use.

### Datasheets & Catalog Pages

[AMP Circular Connectors for Commercial Signal & Power Applications](#)

English

### Product Specifications

[Connector, Circular Plastic](#)

English

[Product Specification](#)

English

### Instruction Sheets

[Instruction Sheet \(U.S.\)](#)

English

### Agency Approvals

[CSA Certificate](#)

English