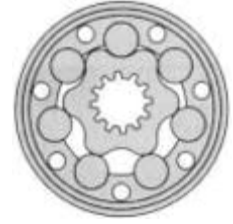


Hydraulic motor Series MAH



MAH series motor adapt the advanced Gerolor gear set designed with shaft distribution flow, which can automatically compensate in operating with high pressure, provide reliable and smooth operation, high efficiency and long life.



Specifications

TYPE		MAH 125	MAH 160	MAH 200	MAH 250	MAH 315	MAH 400	MAH 500
Displacement (c.c/rev)		124.9	157.2	203.2	255.9	316.1	406.4	489.2
Max. speed (rpm)	Cont	383	374	366	290	236	183	155
	Int(3)	459	469	439	348	282	220	166
Max. Torque (da Nm)	Cont	30.6	38.3	51	62.1	74.0	86.4	79.9
	Int(3)	34.2	44.9	57.9	70.2	82.7	98.8	97.1
	Peak(4)	38.0	49.6	65.1	79.0	93.0	109.2	109.2
Max. output (Kw)	Cont	13.0	15.3	15.8	15.8	14.0	12.4	11.0
	Int(3)	16.3	18.1	18.3	18.3	15.4	15.0	13.9
Max. pressure drop (bar)	Cont	180	180	175	175	175	155	125
	Int(3)	200	200	200	200	200	190	160
	Peak(4)	230	230	225	225	225	210	180
Max. oil flow (l/min)	Cont	60	75	75	75	75	75	75
	Int(3)	80	85	90	90	90	90	90
Max. Inlet pressure (bar)	Cont	200	200	200	200	200	200	200
	Int(3)	225	225	225	225	225	225	225
	Peak(4)	250	250	250	250	250	250	250
Weight (kg)		10	10	10.5	11	11.5	12.3	13

(3) Intermittent operation rating applies to 6 sec. of every minute

(4) Peak load rating applies to 0.6 sec of every minute

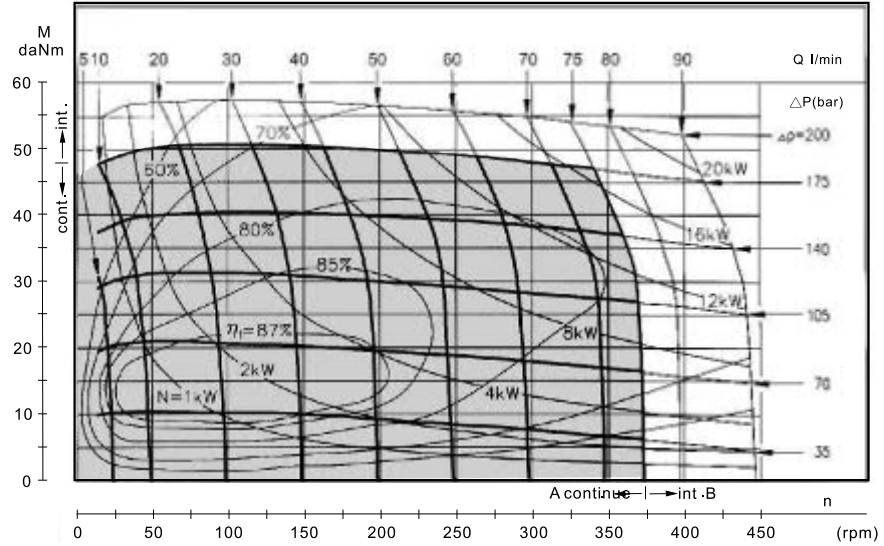
TYPE		MAH 125	MAH 160	MAH 200	MAH 250	MAH 315	MAH 400	MAH 500
Displacement (in.3/r)		7.6	9.6	12.4	15.6	19.3	24.8	29.8
Max. speed (rpm)	Cont	383	374	366	290	236	183	155
	Int(3)	459	469	439	348	282	220	166
Max. Torque (lb-in)	Cont	2708	3390	4514	5496	6549	7646	7071
	Int(3)	3027	3974	5124	6213	7319	8744	8593
	Peak(4)	3363	4151	5761	6992	8231	9664	9664
Max. output (hp)	Cont	17.4	20.5	21.1	21.1	18.8	16.6	14.7
	Int(3)	21.8	24.3	24.5	24.5	20.6	20.1	18.6
Max. pressure drop (psi)	Cont	2574	2574	2503	2503	2503	2217	1788
	Int(3)	2860	2860	2860	2860	2860	2717	2288
	Peak(4)	3289	3289	3218	3218	3218	3003	2574
Max. oil flow (gpm)	Cont	15.9	19.8	19.8	19.8	19.8	19.8	19.8
	Int(3)	21.2	22.5	23.8	23.8	23.8	23.8	23.8
Max. Inlet pressure (psi)	Cont	2860	2860	2860	2860	2860	2860	2860
	Int(3)	3218	3218	3218	3218	3218	3218	3218
	Peak(4)	3575	3575	3575	3575	3575	3575	3575
Weight (lbs)		22.2	22.2	23.3	24.4	25.6	27.3	28.9

Hydraulic motor Series MAH

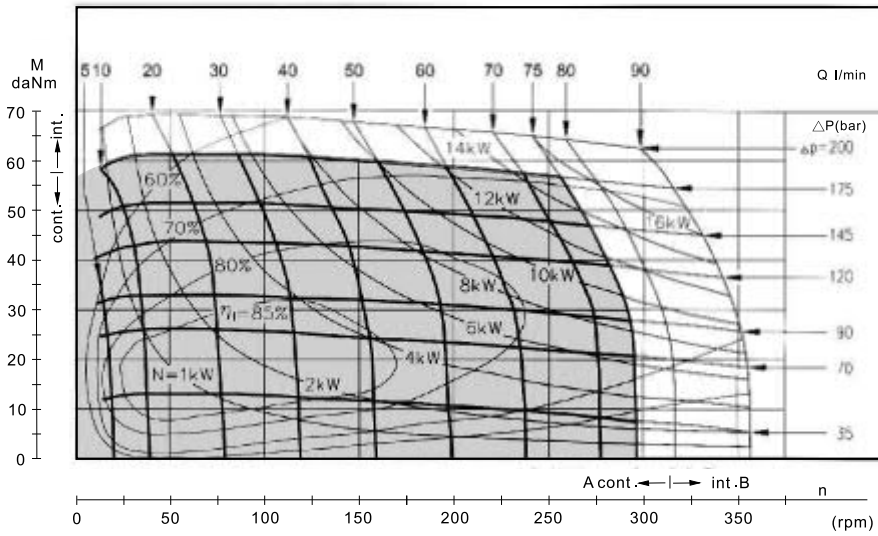
A : Continuous operation

B : Intermittent operation rating applies to 6 sec. of every minute.

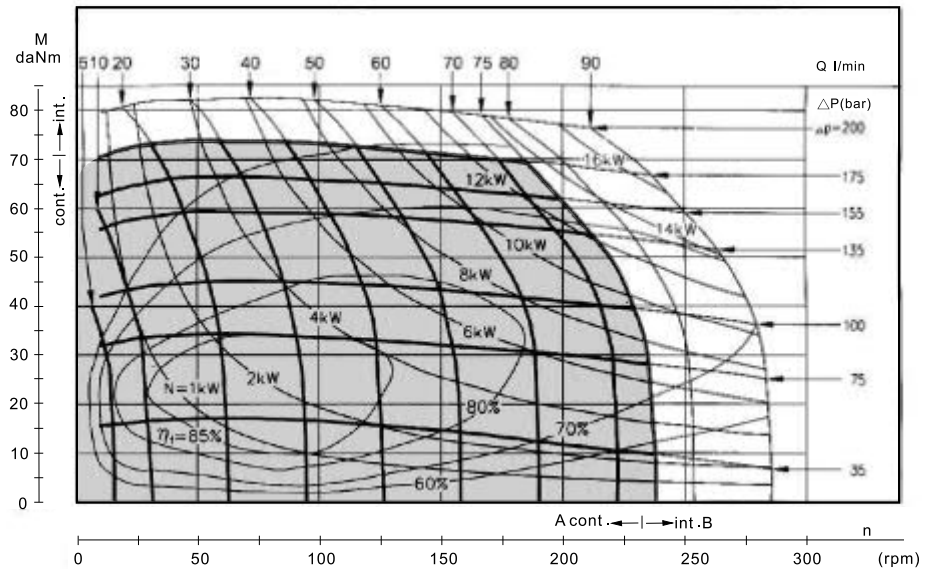
MAH200



MAH250



MAH315

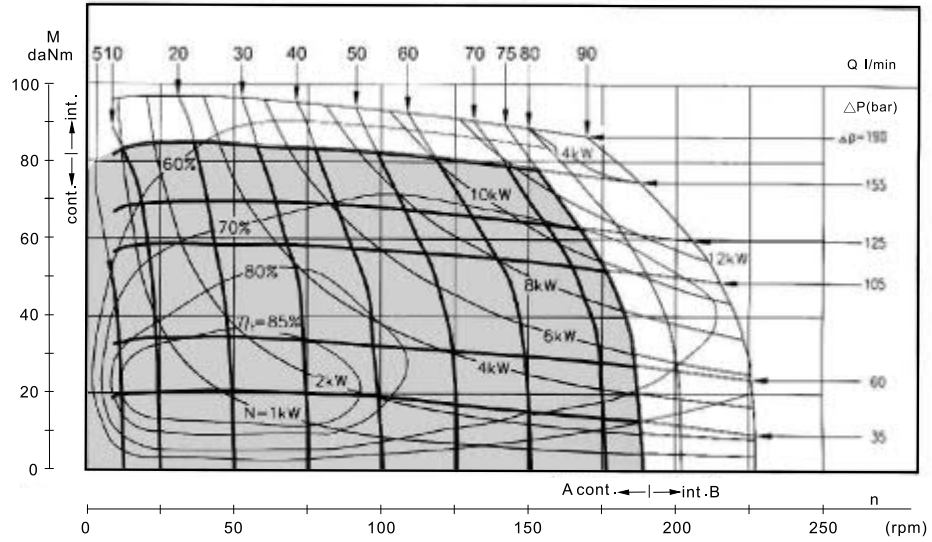


Hydraulic motor Series MAH

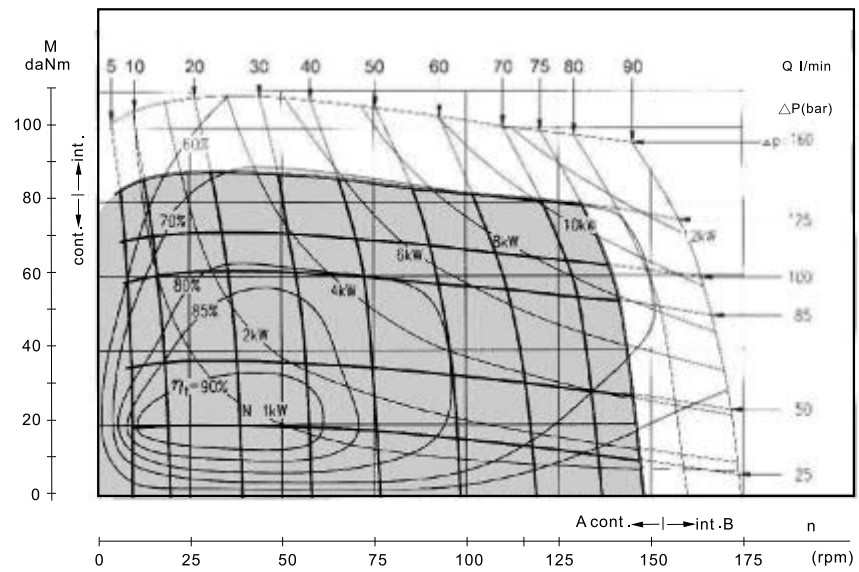
A : Continuous operation

B : Intermittent operation rating applies to 6 sec. of every minute.

MAH400



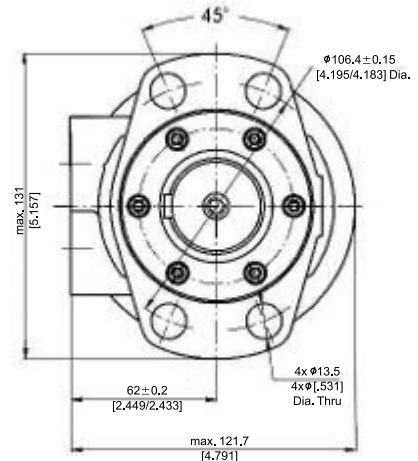
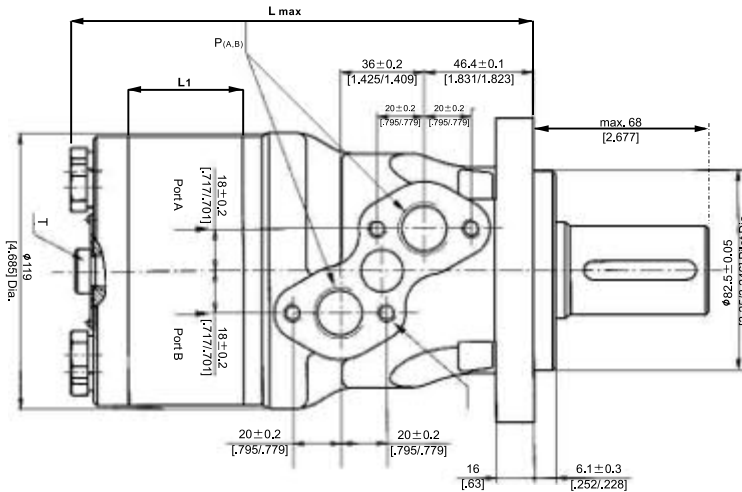
MAH500



Hydraulic motor Series MAH

Magneto Mounting Flange with 4 holes

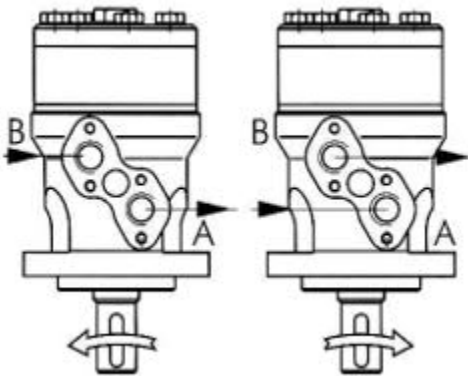
[inch] show in brackets []



Type	L _{max} (mm)	L ₁ (mm)
MAH 125	157[6.181]	17[.669]
MAH 160	161[6.339]	21[.827]
MAH 200	168[6.614]	27[1.063]
MAH 250	175[6.890]	34[1.339]
MAH 315	184[7.244]	42[1.654]
MAH 400	195[7.677]	54[2.126]
MAH 500	206[8.110]	65[2.559]

Code	Versions			
	Omit	M	U	P
P _(A,B)	2 x G 1/2	2 x M22 x 1.5	2 x 7/8-14UNF	2 x 1/2-14NPTF
T	G 1/4	M14 x 1.5	7/16-20UNF	7/16-20UNF
C	4 x M8	4 x M8	4 x 5/16-18UNC	4 x 5/16-18UNC

Direction of Shaft Rotation



"A" and "B" are indicate on the end of motor valve housing.

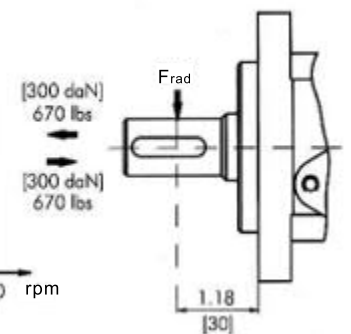
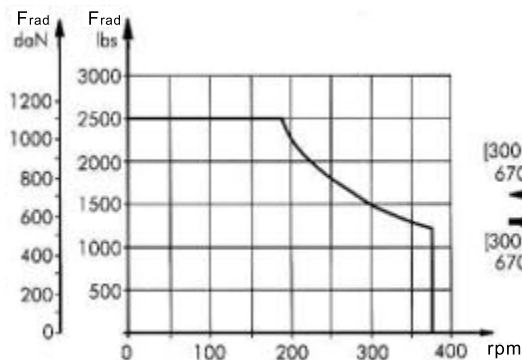
Permissible Shaft Loads For MAH Motors

The permissible radial shaft load [F_{rad}] depends on the speed (rpm) and distance (L) from the point of load to the mounting flange.

$$\text{Radial Shaft Load } F_{\text{rad}} = \frac{1100}{\text{RPM}} \times \frac{25000}{103.5 + L} \cdot \text{daN}^*$$

$$\text{Radial Shaft Load } F_{\text{rad}} = \frac{1100}{\text{RPM}} \times \frac{2215}{4.075 + L} \cdot \text{lbs}$$

* L < 60mm [2.362 in]; n ≥ 200 (rpm)

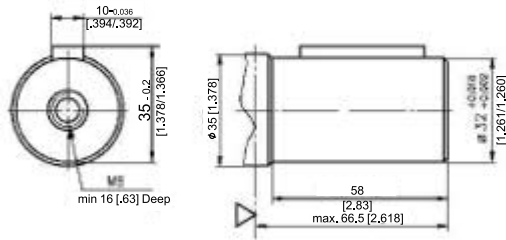


Hydraulic motor Series MAH

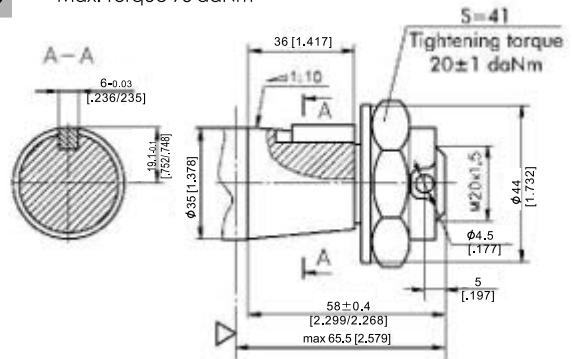
Shaft Extensions for MAH Motor

[inch] show in brackets []

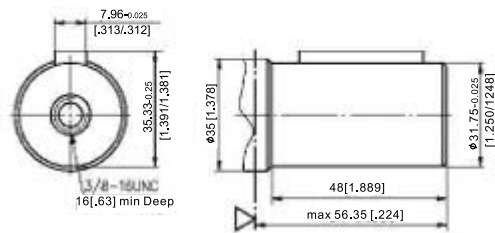
C $\phi 32$ Straight, Parallel key A10 x 8 x 45
Max. Torque 77 daNm



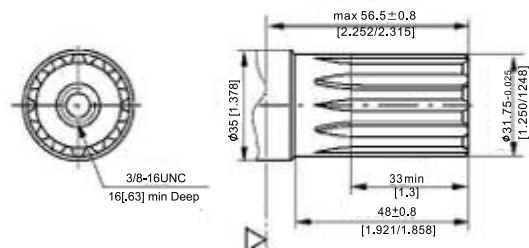
TB Tapered 1:10, Parallel key B6 x 6 x 20
Max. Torque 95 daNm



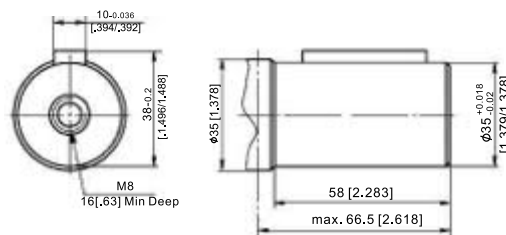
CO $\phi 31.75$ [1 1/4"] Straight, Parallel key 5/16" x 5/16" x 1 1/4"
Max. Torque 77 daNm



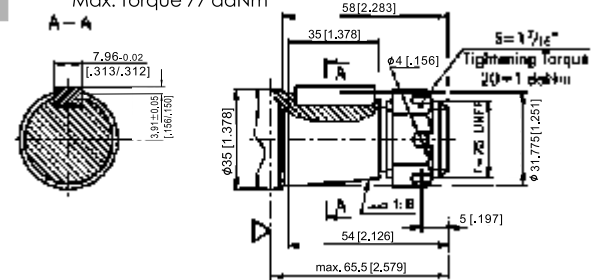
SB $\phi 31.75$ [1 1/4"] Splined 14T
Max. Torque 77 daNm



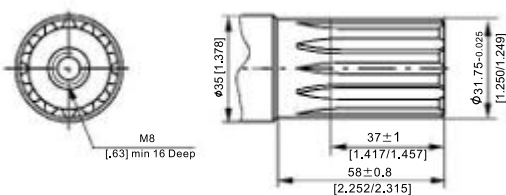
CB $\phi 35$ Straight, Parallel key A10 x 8 x 45
Max. Torque 95 daNm



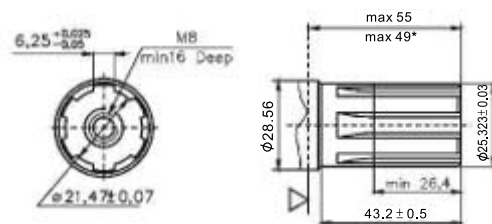
TA Tapered 1:8 SAEJ 501, Parallel key 5/16" x 5/16" x 1 1/4"
Max. Torque 77 daNm



SH $\phi 31.75$ [1 1/4"] Splined 14T, DP 12/24
Max. Torque 95 daNm



S Splined, (SAE 6B)
Max. Torque 40 daNm



Hydraulic motor Series MAH Ordering Information

MAH	1	2	3	4	5	6
-----	---	---	---	---	---	---

Pos. 1 Displacement Code

125	- 124.9cc / 7.6 [in.3/r]
160	- 157.2cc / 9.6 [in.3/r]
200	- 203.2cc / 12.4 [in.3/r]
250	- 255.9cc / 15.6 [in.3/r]
315	- 316.1cc / 19.3 [in.3/r]
400	- 406.4cc / 24.8 [in.3/r]
500	- 489.2cc / 29.8 [in.3/r]

Pos. 2 Shaft Extensions

C	- ϕ 32 Straight, Parallel key A10 x 8 x 45
CO	- ϕ 31.75 [1 1/4"] Straight, Parallel key 5/16" x 5/16" x 1 1/4"
CB	- ϕ 35 straight, Parallel key A10 x 8 x 45
SH	- ϕ 31.75 [1 1/4"] Splined 14T, DP12/24
SB	- ϕ 31.75 [1 1/4"] Splined 14T
TB	- Tapered 1:10, Parallel key B6 x 6 x 20
TA	- Tapered 1:8 SAE. J501, Parallel key 5/16" x 5/16" x 1 1/4"
S	- ϕ 25,32 Splined (SAE 6B)

Pos. 3 Drain Port

Omit - With Drain Port

1	- Without Drain Port
---	----------------------

Pos. 4 Porting

Omit - 2 x G 1/2

M	- 2 x M22 x 1.5
U	- 2 x 7/8 - 14UNF
P	- 2 x 1/2 - 14NPTF

Pos. 5 Paint

Omit - Grey

B	- Black
00	- No Paint

Pos. 6 Rotation

Omit - Standard Rotation

R	- Reverse Rotation
---	--------------------