



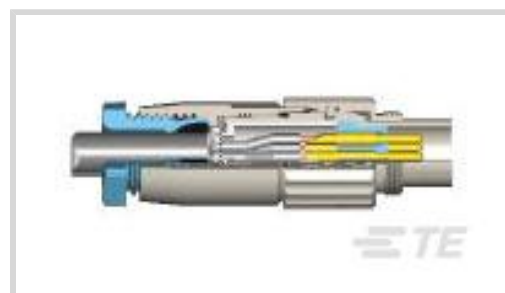
Triad 01 Cable Plug, Triad 01 Solder

TE Internal #: 1-1437719-5

Triad 01 Cable Plug, Standard Circular Connectors, Cable-to-Cable, 3 Position, Sealable, Wire & Cable, 3A Contact Current Rating (Max), Signal

[View on TE.com >](#)

Connectors > Circular Connectors > Standard Circular Connectors



Connector System: **Cable-to-Cable**

Number of Positions: **3**

Sealable: **Yes**

Connector & Contact Terminates To: **Wire & Cable**

Contact Current Rating (Max): **3 A**

Features

Product Type Features

Product Type	Connector
Prewired	No
Connector System	Cable-to-Cable
Sealable	Yes
Connector & Contact Terminates To	Wire & Cable
Circular Connector Type	Plug
Shell Type	Metal

Configuration Features

Number of Positions	3
Number of Power Positions	0
Number of Signal Positions	3
Contacts Preloaded	Yes

Electrical Characteristics

Operating Voltage	60 VAC
-------------------	--------

Body Features

Environmental Protection Type	Sealed
Shell Plating Material	Nickel
Shell Base Material	CuZn



Circular Connector Insulation Material Type	PBT
---	-----

Hermetically Sealed	No
---------------------	----

Contact Features

Contact Current Rating (Max)	3 A
------------------------------	-----

Reverse Gender	Yes
----------------	-----

Contact Layout Arrangement	Circular
----------------------------	----------

Circular Connector Contact Type	Pin
---------------------------------	-----

Mechanical Attachment

Mating Retention	With
------------------	------

Dimensions

Assembly Length	40 mm
-----------------	-------

Wire Size	.25 mm ²
-----------	---------------------

Usage Conditions

Operating Temperature Range	-40 – 80 °C[-40 – 176 °F]
-----------------------------	---------------------------

Operation/Application

Circuit Application	Signal
---------------------	--------

Shielded	No
----------	----

Industry Standards

UL Flammability Rating	UL 94V-2
------------------------	----------

Packaging Features

Packaging Quantity	25
--------------------	----

Product Compliance

[For compliance documentation, visit the product page on TE.com>](#)

EU RoHS Directive 2011/65/EU	Not Compliant
------------------------------	---------------

EU ELV Directive 2000/53/EC	Compliant
-----------------------------	-----------

China RoHS 2 Directive MIIT Order No 32, 2016	Restricted Materials Above Threshold
---	--------------------------------------

EU REACH Regulation (EC) No. 1907/2006	<p>Current ECHA Candidate List: JAN 2021 (211)</p> <p>Candidate List Declared Against: JAN 2021 (211)</p> <p>SVHC > Threshold:</p> <p>Pb (4% in Component Part)</p> <p>Article Safe Usage Statements:</p>
--	--



Do not eat, drink or smoke when using this product. Wash thoroughly after handling. Recycle if possible and dispose of the article by following all applicable governmental regulations relevant to your geographic location.

Halogen Content

Low Halogen - Br, Cl, F, I < 900 ppm per homogenous material. Also BFR/CFR/PVC Free

Solder Process Capability

Hand solderable with lead free solder

Product Compliance Disclaimer

This information is provided based on reasonable inquiry of our suppliers and represents our current actual knowledge based on the information they provided. This information is subject to change. The part numbers that TE has identified as EU RoHS compliant have a maximum concentration of 0.1% by weight in homogenous materials for lead, hexavalent chromium, mercury, PBB, PBDE, DBP, BBP, DEHP, DIBP, and 0.01% for cadmium, or qualify for an exemption to these limits as defined in the Annexes of Directive 2011/65/EU (RoHS2). Finished electrical and electronic equipment products will be CE marked as required by Directive 2011/65/EU. Components may not be CE marked. Additionally, the part numbers that TE has identified as EU ELV compliant have a maximum concentration of 0.1% by weight in homogenous materials for lead, hexavalent chromium, and mercury, and 0.01% for cadmium, or qualify for an exemption to these limits as defined in the Annexes of Directive 2000/53/EC (ELV). Regarding the REACH Regulation, the information TE provides on SVHC in articles for this part number is based on the latest European Chemicals Agency (ECHA) 'Guidance on requirements for substances in articles' posted at this URL: <https://echa.europa.eu/guidance-documents/guidance-on-reach>

Compatible Parts



TE Part # 5-1437719-4
T01-0560-S03-FEMALE REC PANEL-PCB MNT RA



TE Part # 6-1437719-6
T01-0570-S03-FEMALE REC PANEL-PCB STRT




TE Part # 3-1437719-0
T01-0550-S03-FEMALE PLUG CONNECTOR SOLDE



TE Part # 9-1437719-6
T01-0580-S03-FEMALE REC PANEL MNT SOLDER

Also in the Series | **Triad 01 Cable Plug**



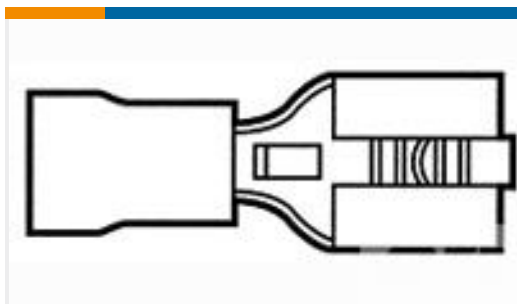
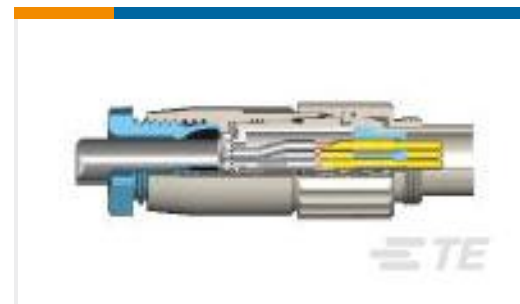
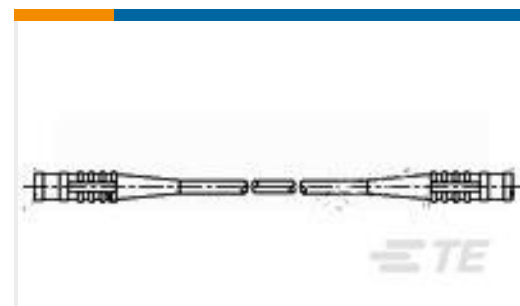
Standard Circular Connectors(14)

Also in the Series | **Triad 01 Solder**



Standard Circular Connectors(10)

Customers Also Bought

TE Part #9-160313-5
250 PIDG FASTON RECTE Part #1-1437719-8
T01-0550-P04-MALE PLUG
CONNECTOR SOLDERTE Part #1-1337480-0
SMB FM BHSkt 50Ohm Gold PltdTE Part #1-1478904-0
SMA STR PLG DS RG405 GSSTE Part #1437719-8
T01-0500-S=INDUSTRIAL CONNECTOTE Part #1337814-1
50 OHM COAX SMB STR PLUG STR PTE Part #1-1618002-9
EV200HDANA=RELAY, SPST-NOTE Part #1-2178712-8
MALE-ON-WIRE CONNECTOR
VALUE-LINETE Part #1-2178713-8
PADDLE BOARD CONNECTOR
VALUE-LINETE Part #1-1337475-0
SMB Str Plg PS 50Ohm Gold Pltd
RG174A/U,

Documents

Product Drawings

T01-0550-P03-MALE PLUG CONNECTOR SOLDER

English

CAD Files

3D PDF

3D

Customer View Model

ENG_CVM_CVM_1-1437719-5_B.2d_dxf.zip



English

Customer View Model

[ENG_CVM_CVM_1-1437719-5_B.3d_igs.zip](#)

English

Customer View Model

[ENG_CVM_CVM_1-1437719-5_B.3d_stp.zip](#)

English

By downloading the CAD file I accept and agree to the [Terms and Conditions](#) of use.

Datasheets & Catalog Pages

[M8 / M12 Connector System Catalog](#)

English

Product Specifications

[Product Specification](#)

English