

# I/O module - AXL P DI16/2 1F

1213483

<https://www.phoenixcontact.com/gb/products/1213483>

Please be informed that the data shown in this PDF document is generated from our Online Catalog. Please find the complete data in the user documentation. Our General Terms of Use for Downloads are valid.



Axioline P, Digital input module, Digital inputs: 16, 24 V DC, connection technology: 2-conductor, 24 V DC input, degree of protection: IP20

## Product Description

The module is an Axioline P I/O module for use in the Axioline P modular I/O system. It is used to acquire digital signals. The module is a modular I/O device that can be affixed to the Axioline P local bus, to communicate I/O data up to the Axioline P bus coupler, which forms the head of the station. The digital input module collects 24 V DC digital input signals and makes this information available to the bus coupler through the Axioline P local bus. The module is fully hot-swappable on the Axioline P local bus, which also provides power to the module.

## Your advantages

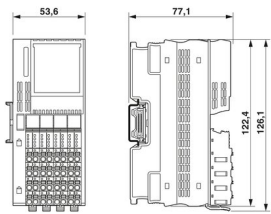
- 16 digital inputs according to EN 61131-2 type 1 and type 3
- 24 V DC, 2.4 mA
- Connection of sensors in 2-conductor technology
- Can be used under extreme ambient conditions
- Temperature range: -40 °C ... +70 °C
- Hot-swappable

## Commercial Data

Item number	1213483
Packing unit	1 pc
Minimum order quantity	1 pc
Sales Key	DRIP31
Product Key	DRIP31
GTIN	4063151284657
Weight per Piece (including packing)	380 g
Weight per Piece (excluding packing)	274 g
Customs tariff number	85389099
Country of origin	US

## Technical Data

### Dimensions

Dimensional drawing	
Width	53.6 mm
Height	126.1 mm
Depth	77.14 mm
Note on dimensions	The depth is valid when a TH 35-7,5 DIN rail is used (according to EN 60715).

### Notes

#### Utilization restriction

EMC note	EMC: class A product, see manufacturer's declaration in the download area
----------	---------------------------------------------------------------------------

#### Utilization restriction

CCcex note	Use in potentially explosive areas is not permitted in China.
------------	---------------------------------------------------------------

### Material specifications

Color	traffic grey A RAL 7042
-------	-------------------------

### Interfaces

#### Axioline P local bus

Connection method	Connection for bus base module
Transmission speed	100 Mbps

### Input data

#### Digital

Input name	Digital inputs
Description of the input	EN 61131-2 types 1 and 3
Number of inputs	16
Connection method	Push-in connection
Connection technology	2-conductor
Input voltage range "0" signal	-3 V DC ... 5 V DC
Nominal input voltage $U_{IN}$	24 V DC
Nominal input current at $U_{IN}$	2.4 mA
Protective circuit	Polarity reversal protection of the inputs

## Product properties

Type	block modular
Product type	I/O component
Mounting position	any (no temperature derating)

### Insulation characteristics

Overvoltage category	II
Pollution degree	2

## Electrical properties

### Potentials: Supply of the logic voltage $U_L$

Supply voltage range	19.2 V DC ... 30 V DC (via bus base module ( $U_L$ ) at AXL P BK...)
----------------------	----------------------------------------------------------------------

### Potentials: Supply of the Axioline P local bus $U_{Bus}$

Supply voltage	5 V DC (via bus base module)
Current draw	max. 135 mA

### Potentials: Axioline P extension module supply voltage

Supply voltage	$U_L$ (via bus base module)
Current draw	max. 59 mA (via bus base module)

## Connection data

### Connection technology

Connection name	Axioline P connector
Note on the connection method	Please observe the information provided on conductor cross sections in the "Axioline P: system and installation" user manual.

### Conductor connection

Connection method	Push-in connection
Conductor cross section solid	0.2 mm <sup>2</sup> ... 1.5 mm <sup>2</sup>
Conductor cross section flexible	0.2 mm <sup>2</sup> ... 1.5 mm <sup>2</sup>
Conductor cross section AWG	24 ... 16
Stripping length	8 mm

### Axioline P connector

Connection method	Push-in connection
Note on the connection method	Please observe the information provided on conductor cross sections in the "Axioline P: system and installation" user manual.
Conductor cross section, rigid	0.2 mm <sup>2</sup> ... 1.5 mm <sup>2</sup>
Stripping length	8 mm

## Ambient conditions

Degree of protection	IP20
Ambient temperature (operation)	-40 °C ... 70 °C (Standard)
Degree of protection	IP20

1213483

<https://www.phoenixcontact.com/gb/products/1213483>

Air pressure (operation)	70 kPa ... 106 kPa (up to 2000 m above sea level)
Air pressure (storage/transport)	70 kPa ... 106 kPa (up to 2000 m above sea level)
Ambient temperature (storage/transport)	-40 °C ... 85 °C
Permissible humidity (operation)	5 % ... 95 % (non-condensing)
Permissible humidity (storage/transport)	5 % ... 95 % (non-condensing)

## Standards and regulations

Protection class	III (IEC 61140, EN 61140, VDE 0140-1)
------------------	---------------------------------------

## Approval data

### ATEX

Identification	II 3G Ex ec IIC T4 Gc
Certificate	DEMKO 20 ATEX 2334X

### ATEX

Identification	Ex ec IIC T4 Gc
Certificate	IECEX UL 20.0002X

### ATEX

Identification	II 3G Ex ec IIC T4 Gc
----------------	-----------------------

### Ex data

ATEX	DEMKO 20 ATEX 2334X II 3G Ex ec IIC T4 Gc
IECEX	IECEX UL 20.0002X Ex ec IIC T4 Gc
UL, USA / Canada	Class I, Div. 2, Groups A, B, C, D T4 Class I, Zone 2, IIC T4

## Mounting

Mounting type	DIN rail mounting
Mounting position	any (no temperature derating)

# I/O module - AXL P DI16/2 1F

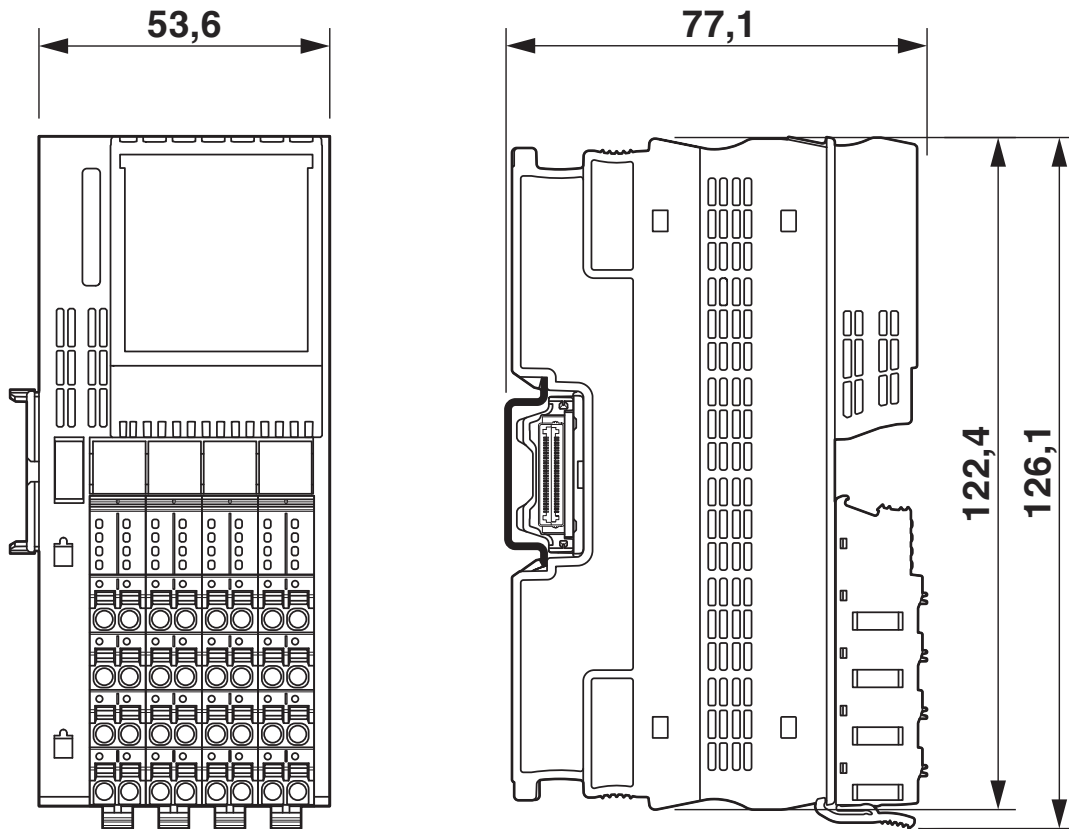
1213483

<https://www.phoenixcontact.com/gb/products/1213483>



## Drawings

Dimensional drawing



1213483

<https://www.phoenixcontact.com/gb/products/1213483>

## Approvals



**UL Listed**

Approval ID: FILE E 238705



**cUL Listed**

Approval ID: FILE E 238705



**IECEx**

Approval ID: IECEx UL 20.0002X



**cUL Listed**

Approval ID: FILE E 196811



**UL Listed**

Approval ID: FILE E 196811



**ATEX**

Approval ID: DEMKO 20 ATEX 2334X

**cULus Listed**

**cULus Listed**

1213483

<https://www.phoenixcontact.com/gb/products/1213483>

## Classifications

### ECLASS

ECLASS-9.0	27242604
ECLASS-10.0.1	27242604
ECLASS-11.0	27242604

### ETIM

ETIM 8.0	EC001599
----------	----------

### UNSPSC

UNSPSC 21.0	32151600
-------------	----------

# I/O module - AXL P DI16/2 1F



1213483

<https://www.phoenixcontact.com/gb/products/1213483>

## Environmental Product Compliance

REACH SVHC	Lead 7439-92-1
	Dechlorane Plus
China RoHS	Environmentally Friendly Use Period = 25;
	For information on hazardous substances, refer to the manufacturer's declaration available under "Downloads"



# I/O module - AXL P DI16/2 1F

1213483

<https://www.phoenixcontact.com/gb/products/1213483>

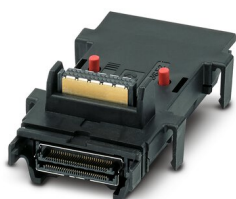


## Accessories

### Bus connector

Bus connector - AXL P BS F2 - 1052428

<https://www.phoenixcontact.com/gb/products/1052428>



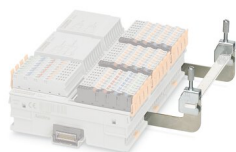
Axioline P bus base module for housing type F2

---

### Shield connection

Shield connection - AXL SHIELD SET - 2700518

<https://www.phoenixcontact.com/gb/products/2700518>



Axioline shield connection set (contains 2 shield bus holders and 2 SK 5 shield connection clamps)

# I/O module - AXL P DI16/2 1F

1213483

<https://www.phoenixcontact.com/gb/products/1213483>



## Zack marker strip

Zack marker strip - ZB 20,3 AXL UNPRINTED - 0829579

<https://www.phoenixcontact.com/gb/products/0829579>



Zack marker strip for Axioline F (device labeling), in 2 x 20.3 mm pitch, unprinted, 25-section, for individual labeling with B-STIFT 0.8, X-PEN, or CMS-P1-PLOTTER

---

## Termination block

Termination block - AXL P TERM PAIR - 2316402

<https://www.phoenixcontact.com/gb/products/2316402>



Axioline P terminator pair

# I/O module - AXL P DI16/2 1F

1213483

<https://www.phoenixcontact.com/gb/products/1213483>



## Termination block

Termination block - AXL P TERM PAIR - 2316402

<https://www.phoenixcontact.com/gb/products/2316402>



Axioline P terminator pair

---

## Bus connector

Bus connector - AXL P BS F2 - 1052428

<https://www.phoenixcontact.com/gb/products/1052428>



Axioline P bus base module for housing type F2

---

Phoenix Contact 2022 © - all rights reserved

<https://www.phoenixcontact.com>

PHOENIX CONTACT Ltd

Halesfield 13, Telford

Shropshire, TF7 4PG

01952 681700

[info@phoenixcontact.co.uk](mailto:info@phoenixcontact.co.uk)