

# 200 x 90 x 40 cm\*

## 78.7" x 35.4" x 15.8"

### ADVANTAGE 6/400

**5** Años Garantía  
Years Guarantee  
Jahre Garantie  
Ans Garantie  
Anos de Garantía  
**SIMONRACK**

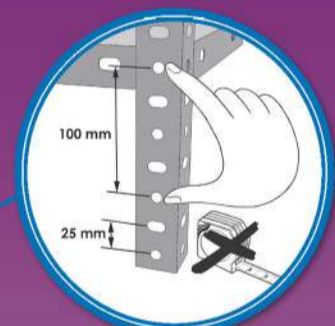


2000 cm (78.7")

40 cm (15.8")

90 cm (35.4")

**450 kg (1000 lb) Total**



\*MEDIDAS EN USO: 2003 x 914 x 414 mm  
USED MEASUREMENTS: 78.86" x 35.98" x 16.30"



ESTANTERIAS SIMON S.L. B.50.556.463  
PG. ALFAMEN C/ POLIGONO C, Nº3  
ALFAMEN (ZARAGOZA)



[www.simonrack.com](http://www.simonrack.com)



**INSTRUCTIONS**

