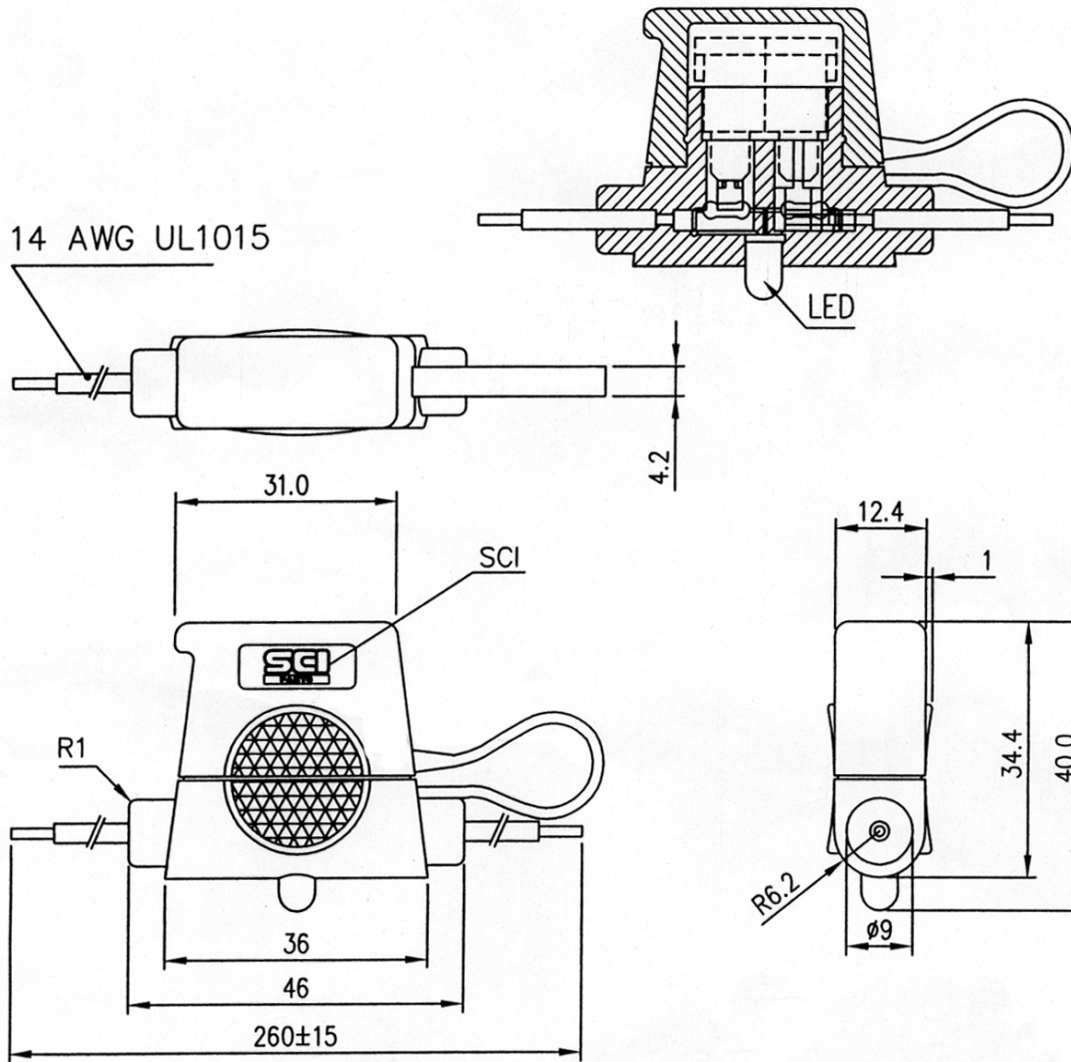


Order code	Manufacturer code	Description
26-1585	R3-59B BLACK	INLINE AUTOMOTIVE FUSEHOLDER 20A LED

	Page 1 of 2
The enclosed information is believed to be correct, Information may change 'without notice' due to product improvement. Users should ensure that the product is suitable for their use. E. & O. E.	Revision A 04/07/2003

Rating	20A 12V~24VDC	<p style="text-align: center;">Circuit Structure</p>
Contact R	50m ohm Max.	
Insulation R	DC 500V 100M ohm Min.	
Dielectric Strength	AC 1000V 1 minute	
Operation temp	-20°C~85°C	



C8\R3\R3-59B

				△
				△
Date	Name	Descriptions		NO
Drawing	Check	Approval	SCI No.	Model Name FUSE HOLDER
曹盈芳			Customer No.	Model No. R3-59B
03/25/'03			Unit mm	SHIN CHIN INDUSTRIAL CO., LTD.