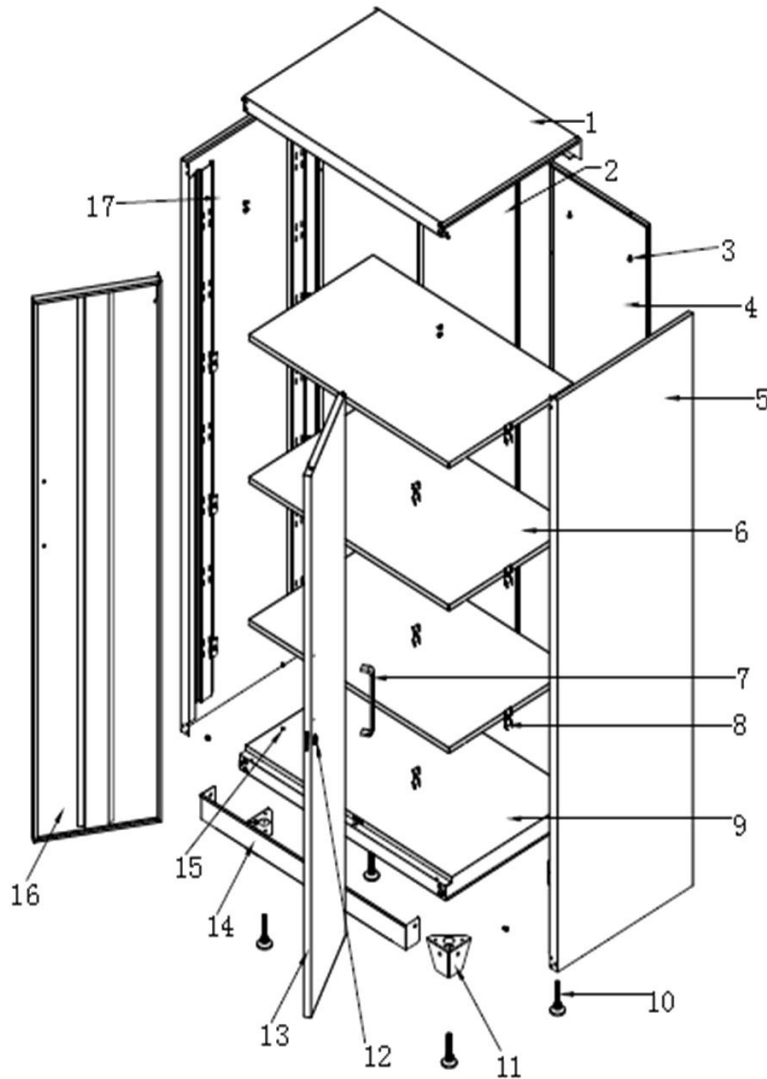


Parts Information:
Modular Full Height Floor Cabinet 930mm
Heavy-Duty
Model No: APMS05.V2



Item	Part No.	Description
1	APMS-110223	TOP PANEL
2	APMS-236087	BACK PANEL, LEFT
3	APMS-320323	SCREW, PHILLIPS PAN HEAD M6x12
4	APMS-236088	BACK PANEL, RIGHT
5	APMS-110222	SIDE PANEL, RIGHT
6	APMS-220529	SHELF 900X560X25
7	APMS-301650	HANDLE
8	APMS-226078	SUPPORT, SHELF
9	APMS-113690	BOTTOM PANEL
10	APMS-313004	ADJUSTABLE FOOT
11	APMS-117485	FEET (METAL)
12	PTB-304007	LOCK AND KEY (NUMBER 1201)

Item	Part No.	Description
--	PTB-304007A	LOCK AND KEY (NUMBER 1202) (NOT SHOWN)
--	PTB-304007B	LOCK AND KEY (NUMBER 1203) (NOT SHOWN)
--	PTB-304007C	LOCK AND KEY (NUMBER 1204) (NOT SHOWN)
13	APMS-110228N1	DOOR (RIGHT) (c/w LOCKING BAR, LOCK & KEY
14	APMS-220617	CABINET SUPPORT
15	APMS-320061	PHILLIPS HEAD BOLT M4x8
16	APMS-110227N2	DOOR (LEFT) (c/w HANDLE)
17	APMS-110221	SIDE PANEL, LEFT

NOTE: It is our policy to continually improve products and as such we reserve the right to alter data, specifications and component parts without prior notice.

IMPORTANT: No liability is accepted for incorrect use of product.

WARRANTY: Guarantee is 12 months from purchase date, proof of which will be required for any claim.