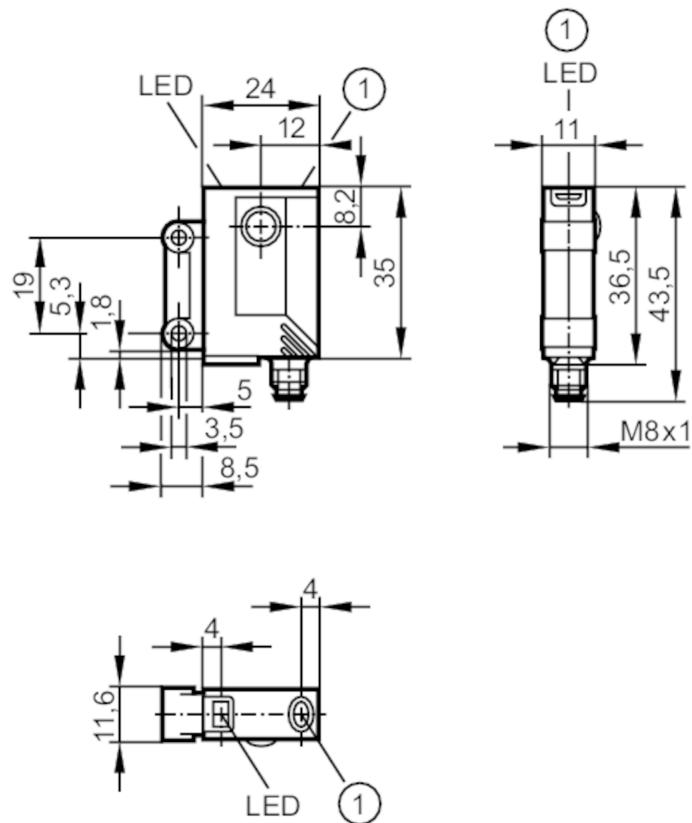




Retro-reflective sensor for the detection of transparent objects

OJPGFPKG/FO/AS



1 pushbutton



Product characteristics

Type of light	red light
Housing	rectangular
Dimensions [mm]	35 x 24 x 11

Application

Special feature	polarisation filter
Function principle	Retro-reflective sensor

Electrical data

Operating voltage [V]	10...30 DC
Current consumption [mA]	< 22
Protection class	III
Reverse polarity protection	yes
Type of light	red light
Wave length [nm]	660



Retro-reflective sensor for the detection of transparent objects

OJPGFPKG/FO/AS

Outputs		
Electrical design		PNP
Output function		light-on/dark-on mode; (programmable)
Max. voltage drop switching output DC	[V]	2.5
Permanent current rating of switching output DC	[mA]	200
Switching frequency DC	[Hz]	2000
Short-circuit protection		yes
Type of short-circuit protection		pulsed
Overload protection		yes
Detection zone		
Range referred to prismatic reflector	[m]	0.2...1.5; (Prismatic reflector 50 x 50 mm E20722)
Range adjustable		yes
Max. light spot diameter	[mm]	64
Light spot dimensions refer to		at maximum range
Polarisation filter available		yes
Operating conditions		
Ambient temperature	[°C]	0...60
Protection		IP 67
Tests / approvals		
EMC		EN 60947-5-2
MTTF	[years]	867
Mechanical data		
Weight	[g]	37.6
Housing		rectangular
Dimensions	[mm]	35 x 24 x 11
Materials		housing: ABS; LED window: SEPS; pushbutton: SEPS
Lens material		glass
Lens alignment		front lens
Displays / operating elements		
Display	switching status	1 x LED, yellow
	operation	1 x LED, green
	function	1 x LED, red
Electronic lock		yes
Accessories		
Accessories (supplied)		screws: 2 x
		spring washers: 2 x
		Nuts: 2 x
Remarks		
Remarks		operating voltage "supply class 2" according to cULus
Pack quantity		1 pcs.

OJ5185



Retro-reflective sensor for the detection of transparent objects

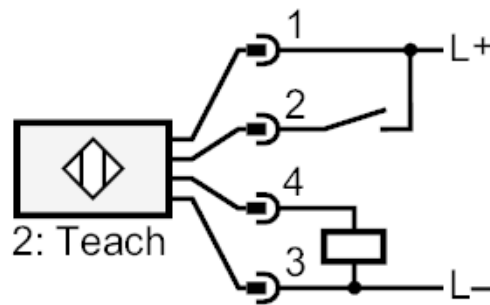
OJPGFPKG/FO/AS

Electrical connection

Connector: 1 x M8



Connection



2

Teach