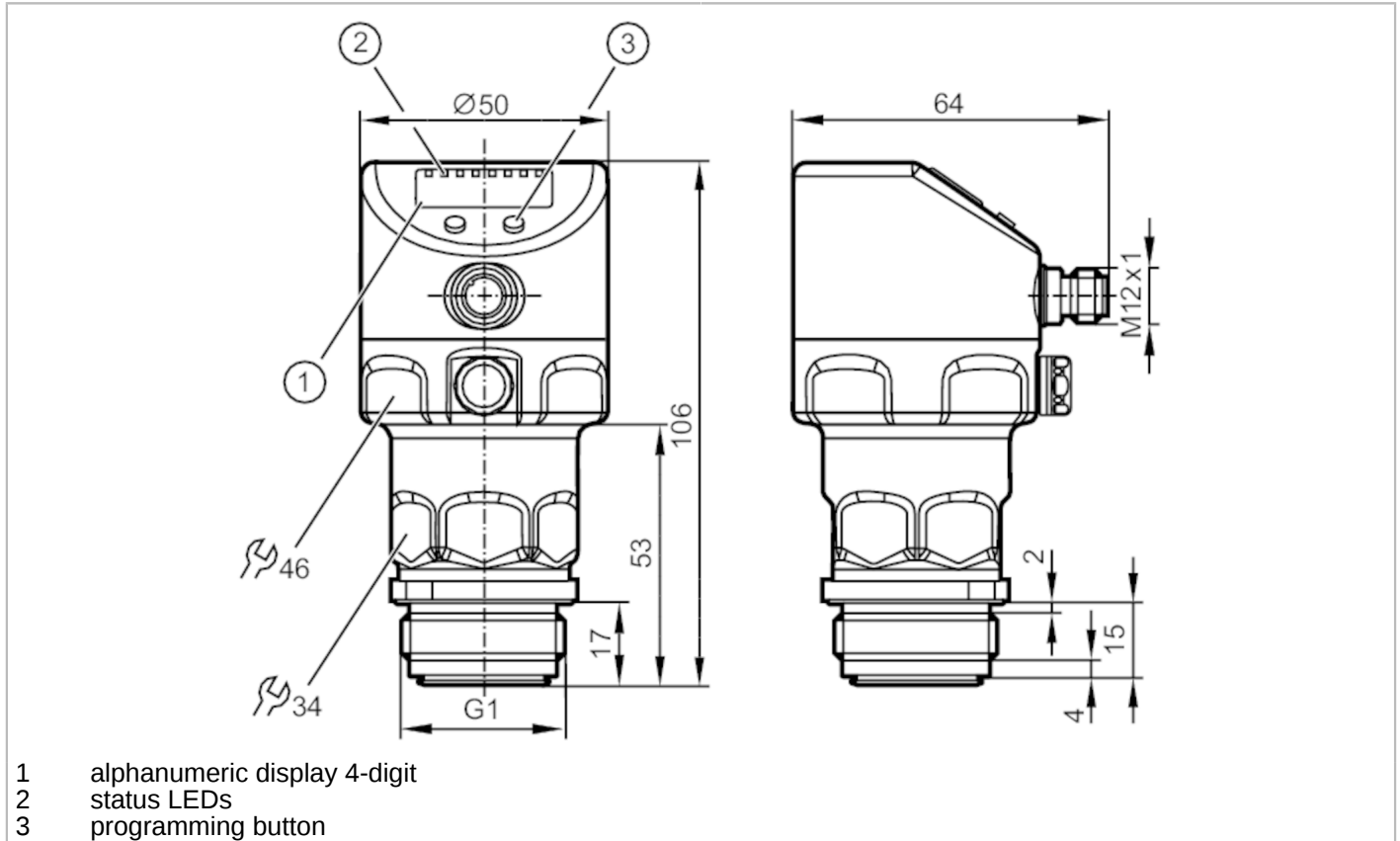


PI2715



Flush pressure sensor with display

PI-006-REA01-MFRKG/US/ IP



- 1 alphanumeric display 4-digit
- 2 status LEDs
- 3 programming button

ACS
 CE
 CRN
 UL LISTED
 EC 1935/2004 EHEDG Certified
 FCM
 FDA
 IO-Link
 Reg31

Product characteristics			
Output signal	switching signal; analogue signal; IO-Link; (configurable)		
Measuring range	-1...6 bar	-14.5...87 psi	-100...600 kPa
Process connection	threaded connection G 1 external thread Aseptoflex Vario		
Application			
Special feature	Gold-plated contacts		
Application	food and beverage industry		
Media	viscous media and liquids with suspended particles; liquids and gases		
Medium temperature [°C]	-25...125; (145 max. 1h)		
Pressure rating	30 bar	435 psi	3000 kPa
Min. bursting pressure	100 bar	1450 psi	10000 kPa
Vacuum resistance [mbar]	-1000		
Type of pressure	relative pressure; vacuum		
No dead space	yes		
MAWP (for applications according to CRN) [bar]	30		
Electrical data			
Min. insulation resistance [MΩ]	100; (500 V DC)		
Protection class	III		
Reverse polarity protection	yes		
Integrated watchdog	yes		

PI2715



Flush pressure sensor with display

PI-006-REA01-MFRKG/US/ IP

2-wire		
Operating voltage	[V]	20...32 DC
Current consumption	[mA]	3.6...21
Power-on delay time	[s]	1

3-wire		
Operating voltage	[V]	18...32 DC
Current consumption	[mA]	< 45
Power-on delay time	[s]	0.5

Inputs / outputs

Number of inputs and outputs	Number of digital outputs: 2; Number of analogue outputs: 1
------------------------------	---

Outputs

Total number of outputs	2
Output signal	switching signal; analogue signal; IO-Link; (configurable)
Electrical design	PNP/NPN
Number of digital outputs	2
Output function	normally open / normally closed; (parameterisable)
Number of analogue outputs	1
Analogue current output	[mA] 4...20, invertible; (scalable)
Short-circuit protection	yes
Type of short-circuit protection	pulsed
Overload protection	yes

2-wire		
Max. load	[Ω]	300

3-wire		
Max. voltage drop switching output DC	[V]	2
Permanent current rating of switching output DC	[mA]	250
Switching frequency DC	[Hz]	125
Max. load	[Ω]	(U _b - 10 V) / 20 mA

Measuring/setting range

Measuring range	-1...6 bar	-14.5...87 psi	-100...600 kPa
Set point SP	-0.99...6 bar	-14.4...87 psi	-99...600 kPa
Reset point rP	-1...5.99 bar	-14.5...86.9 psi	-100...599 kPa
Analogue start point	-1...4.5 bar	-14.5...65.3 psi	-100...450 kPa
Analogue end point	0.5...6 bar	7.3...87 psi	50...600 kPa
In steps of	0.005 bar	0.1 psi	0.5 kPa
Factory setting		SP1 = 1.5 bar	rP1 = 1.38 bar
		SP2 = 4.5 bar	rP2 = 4.380 bar
		ASP = 0.0 bar	AEP = 6.0 bar

Accuracy / deviations

Switch point accuracy	< ± 0,2; (Turn down 1:1)
-----------------------	--------------------------

PI2715



Flush pressure sensor with display

PI-006-REA01-MFRKG/US/ IP

	[% of the span]	
Repeatability	[% of the span]	< ± 0,1; (with temperature fluctuations < 10 K; Turn down 1:1)
Characteristics deviation	[% of the span]	< ± 0,2; (Turn down 1:1 linearity, incl. hysteresis and repeatability limit value setting to DIN 16086)
Linearity deviation	[% of the span]	< ± 0,15; (Turn down 1:1)
Hysteresis deviation	[% of the span]	< ± 0,15; (Turn down 1:1)
Long-term stability	[% of the span]	< ± 0,1; (Turn down 1:1; per year)
Temperature coefficient zero point	[% of the span / 10 K]	< ± 0,05; (0...70 °C)
Temperature coefficient span	[% of the span / 10 K]	< ± 0,15; (0...70 °C)

Response times

Damping for the switching output dAP	[s]	0...30
Damping for the analogue output dAA	[s]	0.01...99.99
2-wire		
Step response time analogue output	[ms]	45
3-wire		
Min. response time of switching output (dAP)	[ms]	3
Step response time analogue output	[ms]	7

Interfaces

Communication interface		IO-Link
Transmission type		COM2 (38,4 kBaud)
IO-Link revision		1.0
IO-Link device ID		728 d / 00 02 d8 h
Profiles		no profile
SIO mode		yes
Required master port type		A
Process data analogue		1
Process data binary		2
Min. process cycle time	[ms]	2.3

Operating conditions

Ambient temperature	[°C]	-25...80
Storage temperature	[°C]	-40...100
Protection		IP 67; IP 68; IP 69K

PI2715



Flush pressure sensor with display

PI-006-REA01-MFRKG/US/ IP

Tests / approvals		
EMC	EN 61000-4-2 ESD	4 kV CD / 8 kV AD
	EN 61000-4-3 HF radiated	10 V/m
	EN 61000-4-4 Burst	2 kV
	EN 61000-4-5 Surge	0,5/1 kV
	EN 61000-4-6 HF conducted	10 V
	Shock resistance	DIN IEC 68-2-27
Vibration resistance	DIN IEC 68-2-6	20 g (10...2000 Hz)
MTTF [years]	154	
Note on approval	factory certificate available as download at www.factory-certificate.ifm	

Mechanical data		
Weight [g]	359.5	
Materials	stainless steel (1.4404 / 316L); FKM; PTFE; PBT; PEI; PFA	
Materials (wetted parts)	ceramics (99.9 % Al ₂ O ₃); PTFE; stainless steel (1.4435 / 316L); surface characteristics: Ra < 0,4 / Rz 4	
Min. pressure cycles	100 million	
Process connection	threaded connection G 1 external thread Aseptoflex Vario	

Displays / operating elements		
Display	Display unit	LED, green
	switching status	LED, yellow
	function display	alphanumeric display, 4-digit
	measured values	alphanumeric display, 4-digit
Display unit	bar; kPa; psi; % of the span	

Remarks		
Pack quantity	1 pcs.	

Electrical connection

Connector: 1 x M12; Contacts: gold-plated

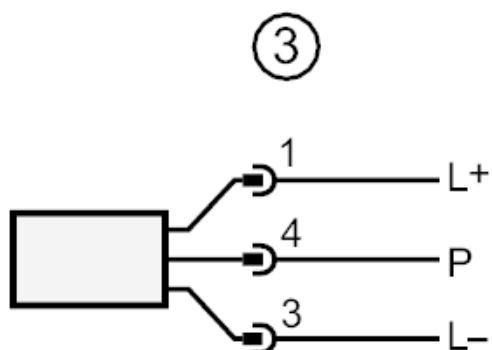
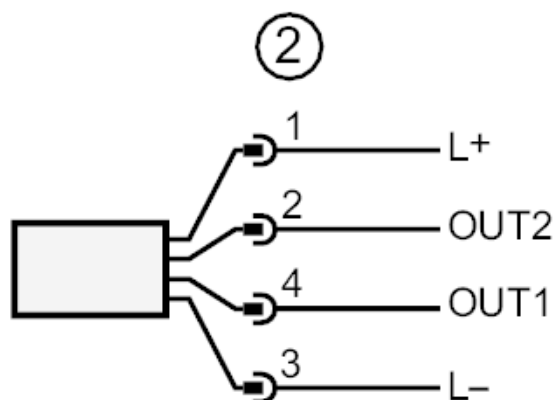
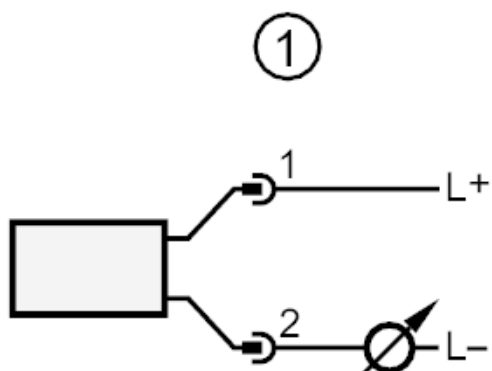




Flush pressure sensor with display

PI-006-REA01-MFRKG/US/ IP

Connection



- 1 connection for 2-wire operation
- 2 connection for 3-wire operation :
- OUT1 switching output
- OUT2 switching output
- analogue output
- 3 connection for IO-Link parameter setting (P = communication via IO-Link)