

Features

- IS K-System place holder module
- Housing width 20 mm
- Marshalling for field and control side circuits
- Configurable via wire jumpers

Function

The place holder barrier is a module for use in cable distribution. It improves accessibility and compactness within a control cabinet.

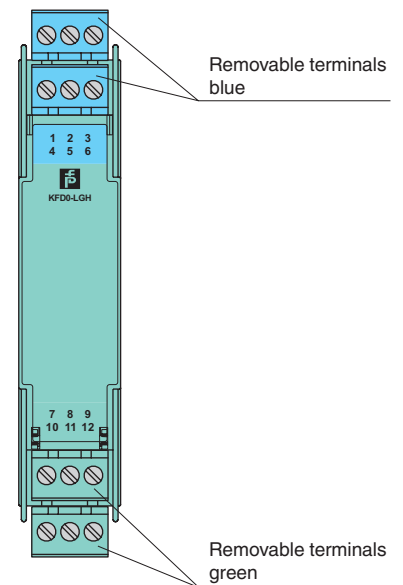
Different configurations are possible by using wire jumpers.

Intrinsically safe circuits can be connected to terminals 1, 2 and 3 or 4, 5 and 6. Terminals 1 to 6 are linked.

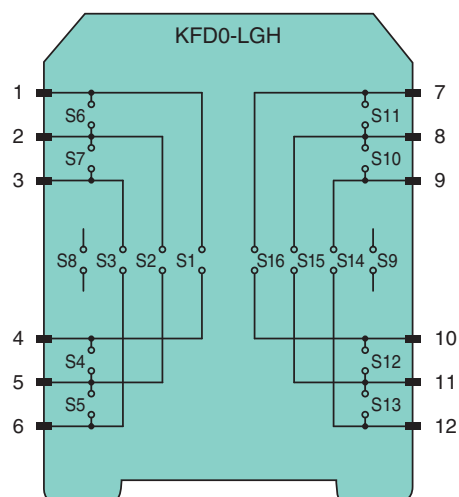
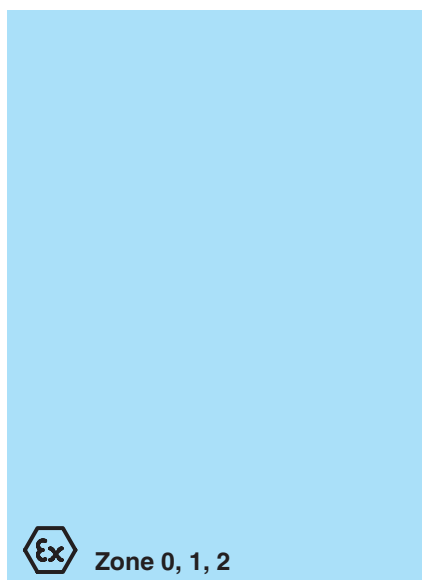
Safe area circuits can be connected to terminals 7, 8 and 9 or 10, 11 and 12.

Assembly

Front view



Connection



Zone 2

Electrical specifications	
Rated voltage	≤ 50 V
Rated current	≤ 2 A
Conformity	
Protection degree	IEC 60529
Ambient conditions	
Ambient temperature	-20 ... 60 °C (-4 ... 140 °F)
Mechanical specifications	
Protection degree	IP20
Mass	approx. 120 g
Dimensions	20 x 93 x 115 mm (0.8 x 3.7 x 4.5 in) , housing type B1
Data for application in connection with Ex-areas	
Statement of conformity	Pepperl+Fuchs
Group, category, type of protection, temperature class	⊕ II 3G Ex nA II T4 X
Directive conformity	
Directive 94/9/EC	EN 60079-0, EN 60079-15
General information	
Supplementary information	Statement of Conformity, Declaration of Conformity, Attestation of Conformity and instructions have to be observed where applicable. For information see www.pepperl-fuchs.com .

Release date 2013-06-26 11:57 Date of issue 2013-06-27 034343_eng.xml

Refer to "General Notes Relating to Pepperl+Fuchs Product Information".

Pepperl+Fuchs Group
www.pepperl-fuchs.com

USA: +1 330 486 0002
pa-info@us.pepperl-fuchs.com

Germany: +49 621 776 2222
pa-info@de.pepperl-fuchs.com

Singapore: +65 6779 9091
pa-info@sg.pepperl-fuchs.com