



TERMINAL COVER FOR 3RF21/3RF23 RING CABLE TERMINAL

General technical data:		
product brand name		SIRIUS
Product designation		terminal cover
Product function		solid-state relay / solid-state contactor 3RF2
Ambient temperature		
• during storage	°C	-55 ... +80
Vibration resistance acc. to IEC 60068-2-6		2g
Shock resistance acc. to IEC 60068-2-27		15g / 11 ms

Auxiliary circuit:		
Number of CO contacts for auxiliary contacts		0

Installation/ mounting/ dimensions:		
Mounting type		clip-on
Mounting type Side-by-side mounting		Yes
Width	mm	22.5
Height	mm	36.5
Depth	mm	37.5

Certificates/ approvals:		
General Product Approval	EMC	other



[Environmental Confirmations](#)

Further information

Information- and Downloadcenter (Catalogs, Brochures,...)

<http://www.siemens.com/industrial-controls/catalogs>

Industry Mall (Online ordering system)

<http://www.siemens.com/industrymall>

Cax online generator

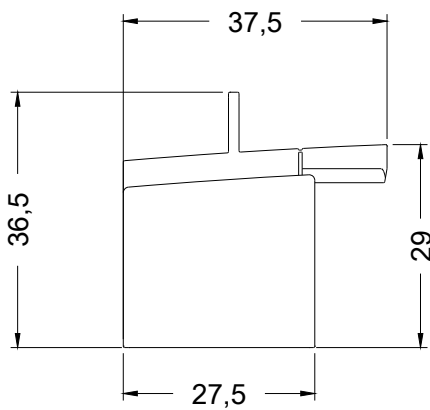
<http://support.automation.siemens.com/WW/CAXorder/default.aspx?lang=en&mlfb=3RF29003PA88>

Service&Support (Manuals, Certificates, Characteristics, FAQs,...)

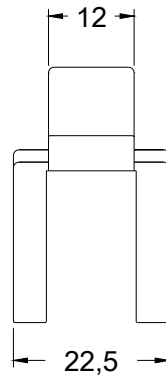
<http://support.automation.siemens.com/WW/view/en/3RF29003PA88/all>

Image database (product images, 2D dimension drawings, 3D models, device circuit diagrams, EPLAN macros, ...)

http://www.automation.siemens.com/bilddb/cax_de.aspx?mlfb=3RF29003PA88&lang=en



last modified:



09.03.2015