

3-PHASE BUSBAR INCLUDING EXTENSION CONNECTOR, FOR 2 CIRCUIT-BREAKERS, SIZE S00 UND S0

General technical data:		
product brand name		SIRIUS
Product designation		3-phase busbars...em extensi
Design of the product		for 2 switches
Size of the circuit-breaker		S00, S0
Suitability for use		circuit-breakers 3RV2

Installation/ mounting/ dimensions:		
mounting position		any
Mounting type		snap-on fastening on 35 mm standard rail
Width	mm	91.4
Height	mm	129
Depth	mm	58.5
Required spacing for live parts		
• upwards	mm	10
• Backwards	mm	0
• at the side	mm	0
Required spacing for grounded parts		
• upwards	mm	10
• Backwards	mm	0
• at the side	mm	0
Required spacing with side-by-side mounting		
• upwards	mm	10
• Backwards	mm	0
• at the side	mm	0

Certificates/ approvals:

Certificate of suitability

CE / UL / CSA / CCC

Shipping Approval



ABS

Further information

Information- and Downloadcenter (Catalogs, Brochures,...)

<http://www.siemens.com/industrial-controls/catalogs>

Industry Mall (Online ordering system)

<http://www.siemens.com/industrymall>

Cax online generator

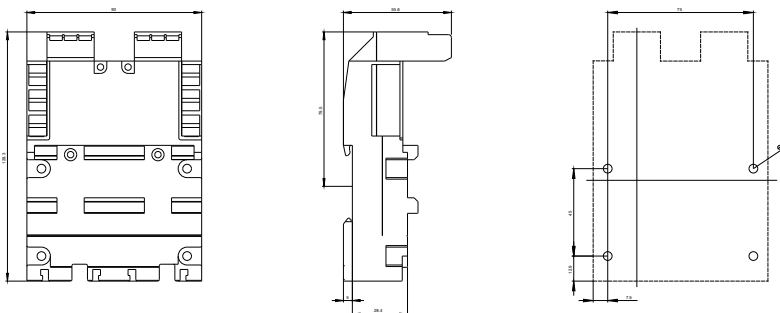
<http://support.automation.siemens.com/WW/CAXorder/default.aspx?lang=en&mlfb=3RV29174A>

Service&Support (Manuals, Certificates, Characteristics, FAQs,...)

<http://support.automation.siemens.com/WW/view/en/3RV29174A/all>

Image database (product images, 2D dimension drawings, 3D models, device circuit diagrams, EPLAN macros, ...)

<http://www.automation.siemens.com/bilddb/index.aspx?attID9=3RV29174A&lang=en>



last modified:

09.03.2015