

SUPPLEMENTARY HANDLE FOR DOOR MOUNTED
 ROTARY OPERATOR STANDARD ACCESSORY FOR:
 3VA1 100/160



Figure similar

Model		
product brand name		SENTRON
Design of handle		Gray
Protection class IP		IP20

Product details		
Product component / axis extension		No
Product property / lockable		No

Accessories		
accessories		Additional handle for door-coupling rotary operating mechanism
Height	mm	45
Depth	mm	36

General Product Approval	EMC	Declaration of Conformity	other
	other		other



Further information

Information- and Downloadcenter (Catalogs, Brochures,...)
<http://www.siemens.com/lowvoltage/catalogs>

Industry Mall (Online ordering system)
<https://eb.automation.siemens.com/mall/en/WW/Catalog/Product/3VA92870GC01>

Service&Support (Manuals, Certificates, Characteristics, FAQs,...)

<http://support.automation.siemens.com/WW/view/en/3VA92870GC01/all>

Image database (product images, 2D dimension drawings, 3D models, device circuit diagrams, ...)

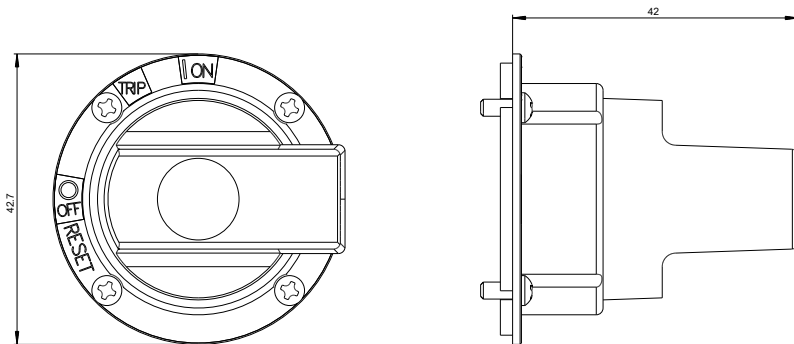
http://www.automation.siemens.com/bilddb/cax_en.aspx?mlfb=3VA92870GC01

CAX-Online-Generator

<http://www.siemens.com/cax>

Tender specifications

<http://ausschreibungstexte.siemens.com/tiplv>



last modified:

16.03.2015