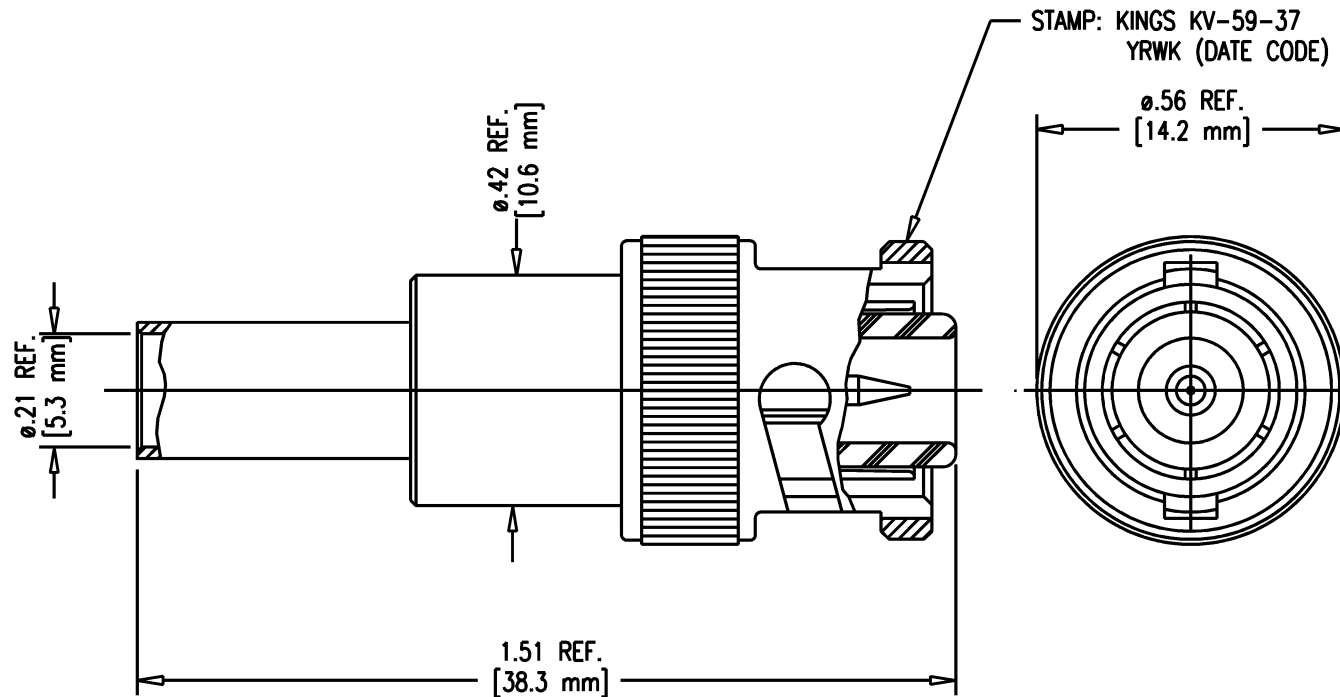


DASH NO.	M CODE	MADE FROM
----------	--------	-----------

GSD



KV-59-37

REVISIONS	
ISSUE	CHANGES
0	ER 8356 JM 03/03/70
1	CN 17104 C MJB 03/29/77
2	CN 18451 C MA 09/22/78
3	CN 32822 C KH 02/06/91
4	CN 38712 E BDH 11/07/02

NOTES:

- FOR USE WITH RG-58, 58A, 58C, & 141/U CABLE
- FOR CABLING INSTRUCTIONS SEE CP-417.
- FOR CRIMPING USE CRIMP DIE KTH-2001.
- SAME AS KV-59-17 EXCEPT FOR FINISH.
- MATERIALS:
 CRIMP SLEEVE: COMM. BRONZE, ASTM-B135, C22000
 INSULATOR: TEFLON, ASTM-D-4894
 SPRING WASHER: BER. COP., ASTM-B194
 GASKET: SILICONE RUBBER PER SPEC. ZZ-R-765A, TYPE IIA
 ALL OTHER METAL PARTS: BRASS, ASTM B-196
- FINISHES:
 CENTER CONTACT, HALF WASHER, AND SPRING WASHER: SILVER PLATE PER QQ-S-365
 ALL OTHER METAL PARTS: KINGS TARNISH RESISTANT NICKEL FINISH (TR-5).

SCALE 4:1	
APPROX SURFACE AREA	
USED ON	
REF:	
PLUG, MHV	
DRAWN JM	DATE 03/03/70
DESIGN SM	DATE 03/04/70
APPR.	DATE

KINGS
ELECTRONICS CO., INC.
ROCK HILL, SOUTH CAROLINA 29730

GSD

KV-59-37