

Dot laser, red, 635 nm, 5 mW

LFD635-5-3(12x30.5)
Order Number: 70104110

Main Parameters (*)	min	typ	max	Unit
Wavelength		635		nm
Optical Diode Power		5		mW
Operating Voltage	2.7	3	3.3	V DC
Operating Current	20	40	60	mA
Operating Temperature	-20		40	°C
Storage Temperature	-40		80	°C

Main Data

Warranty 1 years

Technical Parameters

Lifetime > 3,000 h
RoHS yes

Optical Parameters

Beam Shape Dot
Laser Class 3R
Divergence H - 1.0 mrad
Size of Laserdot adjustable
Operating Distance 50 m
Optics acryl lense
Laser technology diode
Focus adjustable

Electrical Parameters

Potential of Housing VDD(+)

Mechanical Parameters

Size Ø12x30.5 mm
Material Brass
Cable length 90 mm
Wire type 26AWG, 0,14mm²
Output Aperture 4 mm
Weight 15 g

(*) Over the complete operating temperature range

Features

- Operating Voltage 3 V DC
- Laser Class 3R
- Adjustable focus
- Compact size
- Low cost

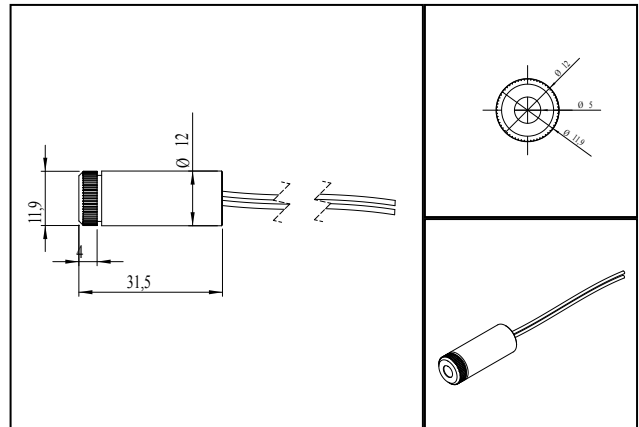
Picture



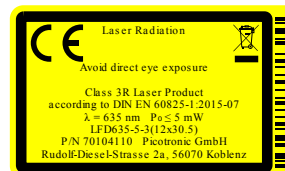
Cable color

Ground		black	GND
positive		red	2.7 - 3.3, typ 3 V DC

Drawing



Safety Label



Valid Revision

6 | 25-AUG-2021