

## Line laser, red, 650 nm, 90 °, 5 mW

LE650-5-3-F-S(22x100)90  
Order Number: 70109634

| Main Parameters (*)   | min | typ | max | Unit |
|-----------------------|-----|-----|-----|------|
| Wavelength            |     | 650 |     | nm   |
| Optical Output Power  |     | 5   |     | mW   |
| Operating Voltage     | 2.7 | 3   | 3.3 | V DC |
| Operating Current     | 15  | 30  | 45  | mA   |
| Operating Temperature | -20 |     | 50  | °C   |
| Storage Temperature   | -40 |     | 80  | °C   |

### Main Data

Warranty 1 years

### Technical Parameters

Lifetime > 10,000 h  
RoHS yes

### Optical Parameters

|                    |                      |
|--------------------|----------------------|
| Beam Shape         | Line                 |
| Laser Class        | 1                    |
| Divergence         | E - 0.6 mrad         |
| Fan Angle          | 90 °                 |
| Line Thickness     | adjustable           |
| Operating Distance | 3 m                  |
| Optics             | glass lens AR coated |
| Laser technology   | Single Mode Diode    |
| Focus              | adjustable           |

### Electrical Parameters

Potential of Housing VDD(+)

### Mechanical Parameters

|                 |            |
|-----------------|------------|
| Size            | Ø22x100 mm |
| Material        | aluminium  |
| Output Aperture | 4.5 mm     |
| Housing Color   | black      |
| Weight          | 77.7 g     |

(\*) Over the complete operating temperature range

## Features

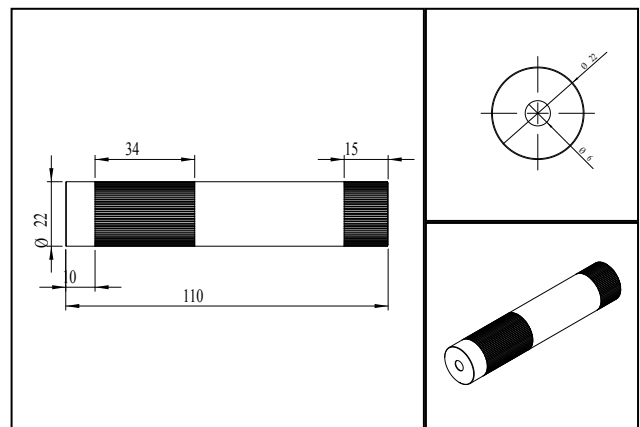


- Operating Voltage 3 V DC
- Laser Class 1
- Adjustable focus
- Low power consumption
- With battery

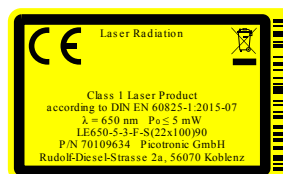
## Picture



## Drawing



## Safety Label



## Valid Revision

8 | 15-SEP-2021