



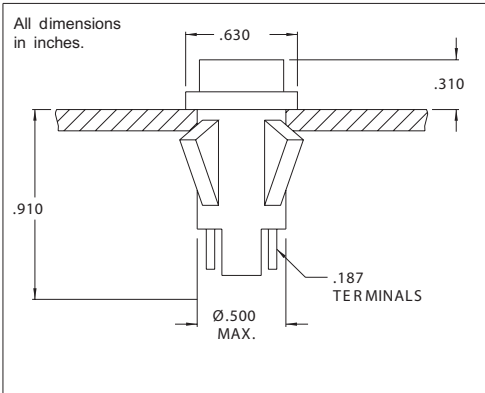
# Chicago Miniature Lighting, LLC

*Lighting the world since 1910*

1050QC, 1051QC, 1052QC, 1053QC and 1090QC Series Non-Relampable Neon-Incandescent Indicator Lights

## 1050QC, 1051QC, 1052QC, 1053QC and 1090QC Series Non-Relampable Neon-Incandescent Indicator Lights

### DESCRIPTION AND FEATURES



Mounting: Will snap-fit into Ø.500/.505 hole in panels .020/.100 thick. Push-on speednut SN0461 also available.  
 Mounting hole pattern on page SP2.

Terminals: Tinned brass

Lens: Polycarbonate

Bezel: Polished stainless steel.  
 For black finish add "X" after the series letter(s).

Housing: White Nylon

Lens Color	Neon		Incandescent	
	Model No. (105-125VAC)	Model No. (208-250V)	Model No. (12V)	Model No. (28V)
Red	1050QC1	1051QC1	1090QC1-12V	1090QC1-28V
Clear	1050QC2	-	-	-
Amber	1050QC3	1051QC3	1090QC3-12V	1090QC3-28V
White	1050QC4	1051QC4	1090QC4-12V	1090QC4-28V
Green	1052QC5*	1053QC5*	1090QC5-12V	1090QC5-28V
Lamp used	C2A+R resistor	C2A+R resistor	#2162	#2187

\* Incorporates G2B lamp and resistor.  
 Underwriters Laboratories (UL) File No. E20325  
 Canadian Standards Association (CSA) File No. LR13346

147 Central Avenue  
 Hackensack, NJ 07601  
 Phone: (201) 489-8989  
 Fax: (201) 489-6911

18703 Dix Toledo Road  
 Brownstown, MI 48193

Saret Zone Franca, Edificio B  
 Alajuela Costa Rica

E-mail: sales@chml.com • Web Site: www.chml.com

Chicago Miniature Lighting, LLC reserves the right to make specification revisions that enhance the design and/or performance of the product