

Features

- RoHS compliant*
- Sector windings
- Wide frequency range over 500 MHz
- Rated current 0.1 to .025 A
- High quality toroidal core

Applications

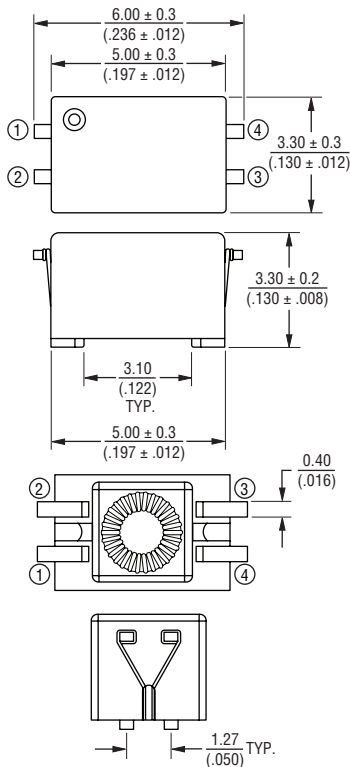
- For the suppression of EMI in data and signal lines

DR221 Series Surface Mount Data Line Chokes

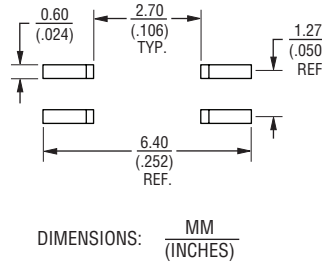
Electrical Specifications @ 25 °C

Bourns Part No.	L1, L2 @ 10 kHz, 0.1 Vrms (μH)	Freq. Range (MHz)	Impedance (Ω) Min.	RDC (Ω) (Each Winding)		Rated Current (mA)
				Max.	Typ.	
DR221-113AE	11.0 +50 %/-30 %	100~500	450	0.18	0.13	250
DR221-223AE	22.0 +50 %/-30 %	40~300	900	0.23	0.17	250
DR221-333AE	33.0 +50 %/-30 %	30~250	1000	0.27	0.20	200
DR221-513AE	50.0 +50 %/-30 %	20~150	1400	0.32	0.24	200
DR221-474AE	470 +50 %/-30 %	2.5~60	1100	0.35	0.28	100

Product Dimensions



Recommended PCB Layout



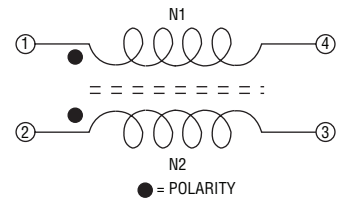
General Specifications

Rated Voltage 50 Vdc/100 Vac (ref.)
 Hipot (1 sec.) 500 Vac/60 Hz, 3 mA
 Operating Temperature.....-40 to +125 °C
 Storage Temperature.....-40 to +125 °C
 Temperature Rise
25 °C max. at rated current
 Resistance to Solder Heat
260 °C 10 sec.
 Moisture Sensitivity Level.....1
 ESD Classification (HBM)..... N/A

Materials

Core.....Ferrite
 Wire Enameled copper wire (Class F)
 BaseLCP (UL 94V-0)
 Terminal.....Cu/Ni/Sn
 Adhesive.....Epoxy resin
 Weight 2 g
 Packaging..... 500 pcs. per reel

Schematic



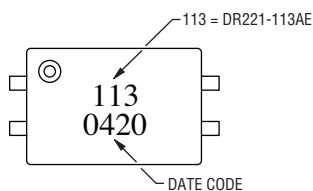
How to Order

Model **DR221 - 513 AE**

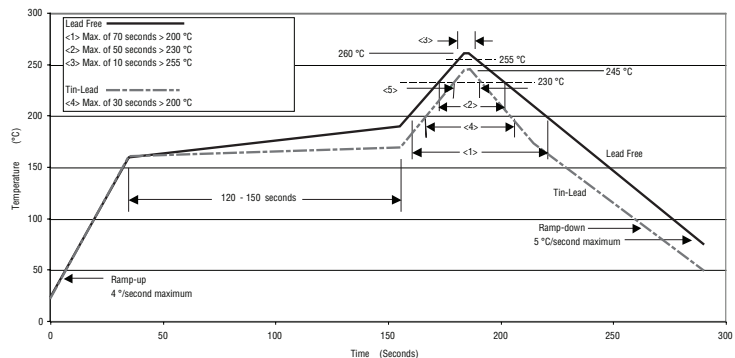
Value/Tolerance _____
 See Model-Value Table

Termination _____
 AE = Cu/Ni/Sn (Lead Free)

Typical Part Marking



Solder Profile



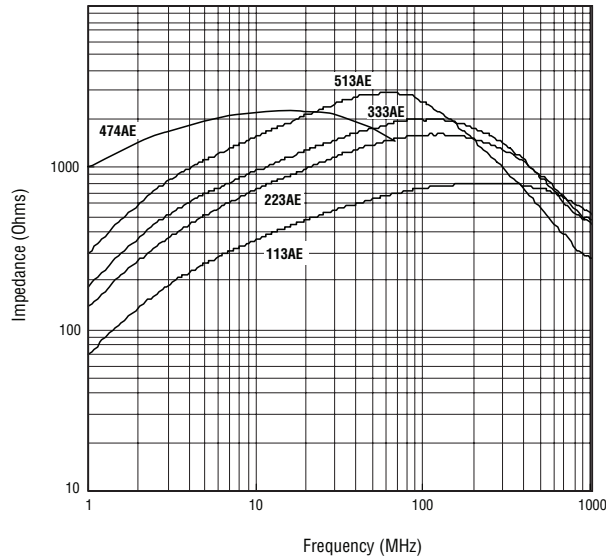
*RoHS Directive 2002/95/EC Jan. 27, 2003 including annex and RoHS Recast 2011/65/EU June 8, 2011. Specifications are subject to change without notice.

The device characteristics and parameters in this data sheet can and do vary in different applications and actual device performance may vary over time. Users should verify actual device performance in their specific applications.

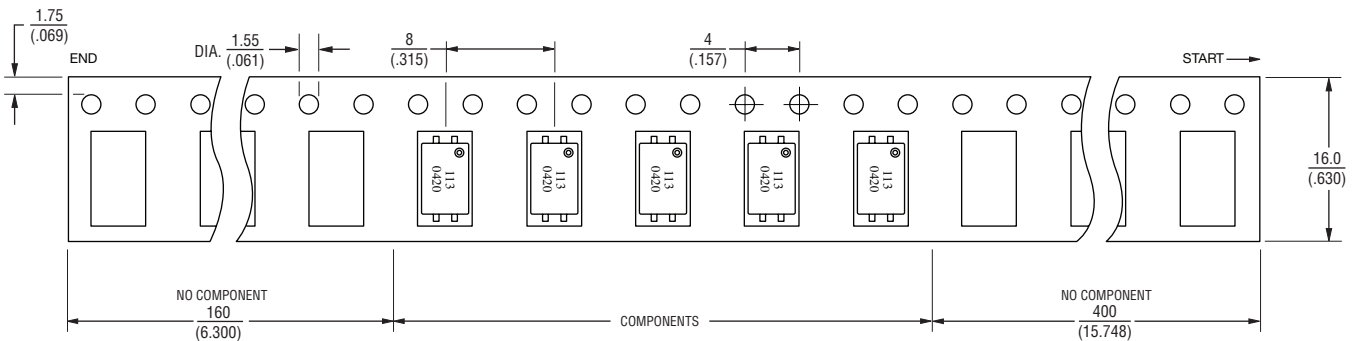
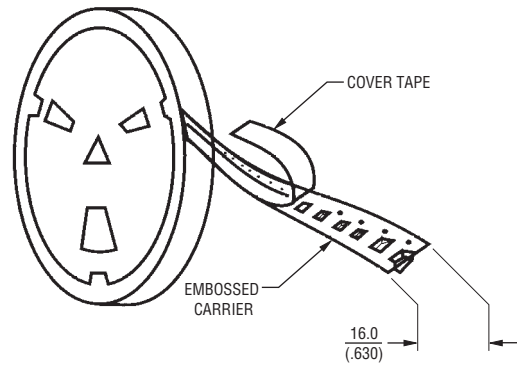
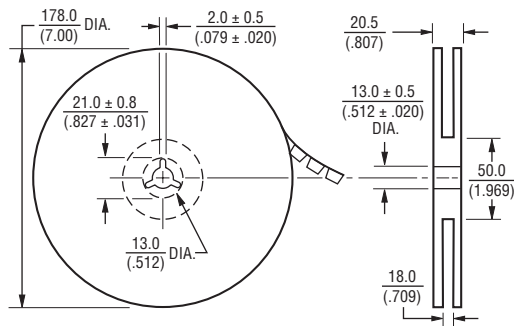
DR221 Series Surface Mount Data Line Chokes

BOURNS®

Impedance vs. Frequency



Packaging Specifications



USER DIRECTION OF FEED →

500 PCS. PER REEL

DIMENSIONS: $\frac{\text{MM}}{\text{(INCHES)}}$

REV. 03/18

Specifications are subject to change without notice.

The device characteristics and parameters in this data sheet can and do vary in different applications and actual device performance may vary over time. Users should verify actual device performance in their specific applications.