

## Gelenkfüße Stahl, Form B

### Artikelbeschreibung/Produktabbildungen



### Beschreibung

**Werkstoff:**

Fußteller, Gewindespindel Stahl.

Anti-Slip-Platte (NBR) 70 Shore.

**Ausführung:**

Fußteller gelb lackiert. Gewindespindel verzinkt.

Anti-Slip-Platte schwarz.

**Hinweis:**

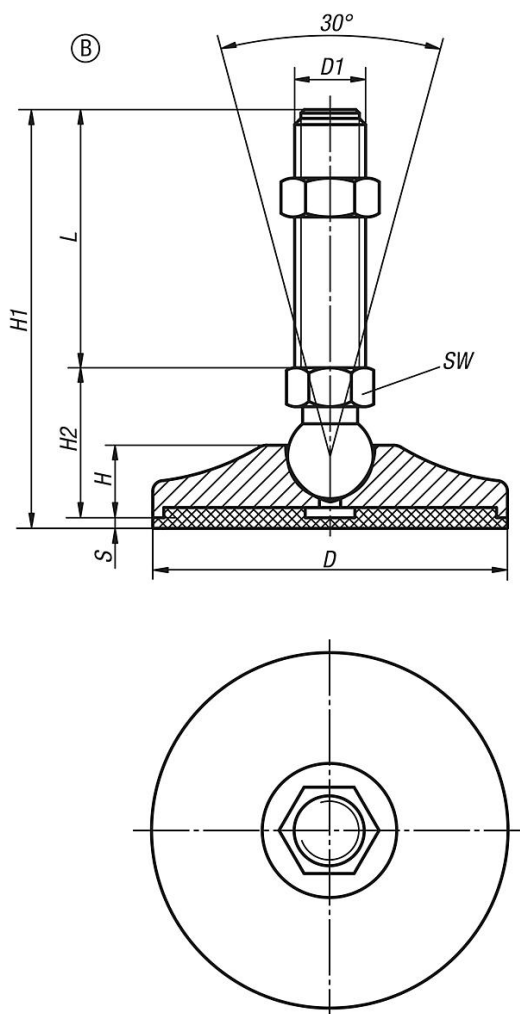
Hochbelastbare Gelenkfüße aus Stahl mit gelblackiertem Fuß, optional mit Anti-Slip-Platte. Die Anti-Slip-Platte absorbiert Vibrationen und verhindert ein Verrutschen des Gelenkfußes.

Die in der Tabelle angegebenen Belastungswerte beruhen auf einer Versuchsreihe, bei der eine statische Last senkrecht zum Teller in der Mitte der Spindel aufgebracht wurde. Radial einwirkende Kräfte, wie sie bei Vibrationen oder anderen Rüttel-effekten entstehen, beeinflussen die Belastbarkeit und sind bei den angegebenen Werten nicht berücksichtigt.

Auslieferung mit passender Mutter.

## Gelenkfüße Stahl, Form B

## Zeichnungen



## Artikelübersicht

| Bestellnummer    | Form | D  | D1  | H  | H1  | H2 | S | SW | L   | Belastbarkeit<br>max. kN (nur bei<br>statischer Belastung) |
|------------------|------|----|-----|----|-----|----|---|----|-----|--|
| K0742.105010X25  | B    | 50 | M10 | 16 | 56  | 28 | 3 | 14 | 25  | 15   |
| K0742.105010X50  | B    | 50 | M10 | 16 | 81  | 28 | 3 | 14 | 50  | 15   |
| K0742.105010X75  | B    | 50 | M10 | 16 | 106 | 28 | 3 | 14 | 75  | 15   |
| K0742.105010X100 | B    | 50 | M10 | 16 | 131 | 28 | 3 | 14 | 100 | 15   |
| K0742.105010X125 | B    | 50 | M10 | 16 | 156 | 28 | 3 | 14 | 125 | 15   |
| K0742.105012X25  | B    | 50 | M12 | 16 | 56  | 28 | 3 | 14 | 25  | 15   |
| K0742.105012X50  | B    | 50 | M12 | 16 | 81  | 28 | 3 | 14 | 50  | 15   |
| K0742.105012X75  | B    | 50 | M12 | 16 | 106 | 28 | 3 | 14 | 75  | 15   |
| K0742.105012X100 | B    | 50 | M12 | 16 | 131 | 28 | 3 | 14 | 100 | 15   |
| K0742.105012X125 | B    | 50 | M12 | 16 | 156 | 28 | 3 | 14 | 125 | 15   |
| K0742.105014X25  | B    | 50 | M14 | 16 | 56  | 28 | 3 | 14 | 25  | 15   |
| K0742.105014X50  | B    | 50 | M14 | 16 | 81  | 28 | 3 | 14 | 50  | 15   |
| K0742.105014X75  | B    | 50 | M14 | 16 | 106 | 28 | 3 | 14 | 75  | 15   |
| K0742.105014X100 | B    | 50 | M14 | 16 | 131 | 28 | 3 | 14 | 100 | 15   |
| K0742.105014X125 | B    | 50 | M14 | 16 | 156 | 28 | 3 | 14 | 125 | 15   |
| K0742.106514X50  | B    | 65 | M14 | 17 | 83  | 30 | 3 | 14 | 50  | 20   |
| K0742.106514X75  | B    | 65 | M14 | 17 | 108 | 30 | 3 | 14 | 75  | 20   |
| K0742.106514X100 | B    | 65 | M14 | 17 | 133 | 30 | 3 | 14 | 100 | 20   |
| K0742.106514X125 | B    | 65 | M14 | 17 | 158 | 30 | 3 | 14 | 125 | 20   |
| K0742.106514X150 | B    | 65 | M14 | 17 | 183 | 30 | 3 | 14 | 150 | 20   |
| K0742.106516X50  | B    | 65 | M16 | 17 | 83  | 30 | 3 | 16 | 50  | 20   |

# Gelenkfüße Stahl, Form B

## Artikelübersicht

| Bestellnummer    | Form | D   | D1  | H    | H1  | H2 | S | SW | L   | Belastbarkeit<br>max. kN (nur bei<br>statischer Belastung) |
|------------------|------|-----|-----|------|-----|----|---|----|-----|--|
| K0742.106516X75  | B    | 65  | M16 | 17   | 108 | 30 | 3 | 16 | 75  | 20   |
| K0742.106516X100 | B    | 65  | M16 | 17   | 133 | 30 | 3 | 16 | 100 | 20   |
| K0742.106516X125 | B    | 65  | M16 | 17   | 158 | 30 | 3 | 16 | 125 | 20   |
| K0742.106516X150 | B    | 65  | M16 | 17   | 183 | 30 | 3 | 16 | 150 | 20   |
| K0742.106516X175 | B    | 65  | M16 | 17   | 208 | 30 | 3 | 16 | 175 | 20   |
| K0742.108016X50  | B    | 80  | M16 | 19,5 | 86  | 33 | 3 | 16 | 50  | 30   |
| K0742.108016X75  | B    | 80  | M16 | 19,5 | 111 | 33 | 3 | 16 | 75  | 30   |
| K0742.108016X100 | B    | 80  | M16 | 19,5 | 136 | 33 | 3 | 16 | 100 | 30   |
| K0742.108016X125 | B    | 80  | M16 | 19,5 | 161 | 33 | 3 | 16 | 125 | 30   |
| K0742.108016X150 | B    | 80  | M16 | 19,5 | 186 | 33 | 3 | 16 | 150 | 30   |
| K0742.108016X175 | B    | 80  | M16 | 19,5 | 211 | 33 | 3 | 16 | 175 | 30   |
| K0742.108016X200 | B    | 80  | M16 | 19,5 | 236 | 33 | 3 | 16 | 200 | 30   |
| K0742.108020X75  | B    | 80  | M20 | 19,5 | 114 | 36 | 3 | 17 | 75  | 30   |
| K0742.108020X100 | B    | 80  | M20 | 19,5 | 139 | 36 | 3 | 17 | 100 | 30   |
| K0742.108020X125 | B    | 80  | M20 | 19,5 | 164 | 36 | 3 | 17 | 125 | 30   |
| K0742.108020X150 | B    | 80  | M20 | 19,5 | 189 | 36 | 3 | 17 | 150 | 30   |
| K0742.108020X175 | B    | 80  | M20 | 19,5 | 214 | 36 | 3 | 17 | 175 | 30   |
| K0742.108020X200 | B    | 80  | M20 | 19,5 | 239 | 36 | 3 | 17 | 200 | 30   |
| K0742.110016X50  | B    | 100 | M16 | 20   | 96  | 43 | 3 | 20 | 50  | 35   |
| K0742.110016X75  | B    | 100 | M16 | 20   | 121 | 43 | 3 | 20 | 75  | 35   |
| K0742.110016X100 | B    | 100 | M16 | 20   | 146 | 43 | 3 | 20 | 100 | 35   |
| K0742.110016X125 | B    | 100 | M16 | 20   | 171 | 43 | 3 | 20 | 125 | 35   |
| K0742.110016X150 | B    | 100 | M16 | 20   | 196 | 43 | 3 | 20 | 150 | 35   |
| K0742.110016X175 | B    | 100 | M16 | 20   | 221 | 43 | 3 | 20 | 175 | 35   |
| K0742.110016X200 | B    | 100 | M16 | 20   | 246 | 43 | 3 | 20 | 200 | 35   |
| K0742.110020X75  | B    | 100 | M20 | 20   | 121 | 43 | 3 | 20 | 75  | 45   |
| K0742.110020X100 | B    | 100 | M20 | 20   | 146 | 43 | 3 | 20 | 100 | 45   |
| K0742.110020X125 | B    | 100 | M20 | 20   | 171 | 43 | 3 | 20 | 125 | 45   |
| K0742.110020X150 | B    | 100 | M20 | 20   | 196 | 43 | 3 | 20 | 150 | 45   |
| K0742.110020X175 | B    | 100 | M20 | 20   | 221 | 43 | 3 | 20 | 175 | 45   |
| K0742.110020X200 | B    | 100 | M20 | 20   | 246 | 43 | 3 | 20 | 200 | 45   |
| K0742.110024X75  | B    | 100 | M24 | 20   | 122 | 44 | 3 | 20 | 75  | 55   |
| K0742.110024X100 | B    | 100 | M24 | 20   | 147 | 44 | 3 | 20 | 100 | 55   |
| K0742.110024X125 | B    | 100 | M24 | 20   | 172 | 44 | 3 | 20 | 125 | 55   |
| K0742.110024X150 | B    | 100 | M24 | 20   | 197 | 44 | 3 | 20 | 150 | 55   |
| K0742.110024X175 | B    | 100 | M24 | 20   | 222 | 44 | 3 | 20 | 175 | 55   |
| K0742.110024X200 | B    | 100 | M24 | 20   | 247 | 44 | 3 | 20 | 200 | 55   |