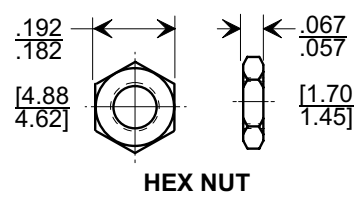
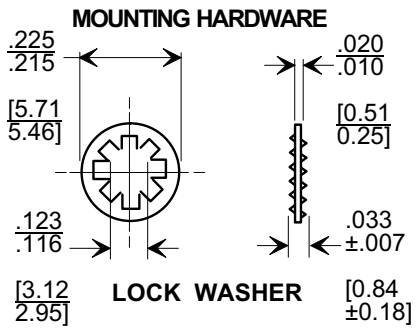
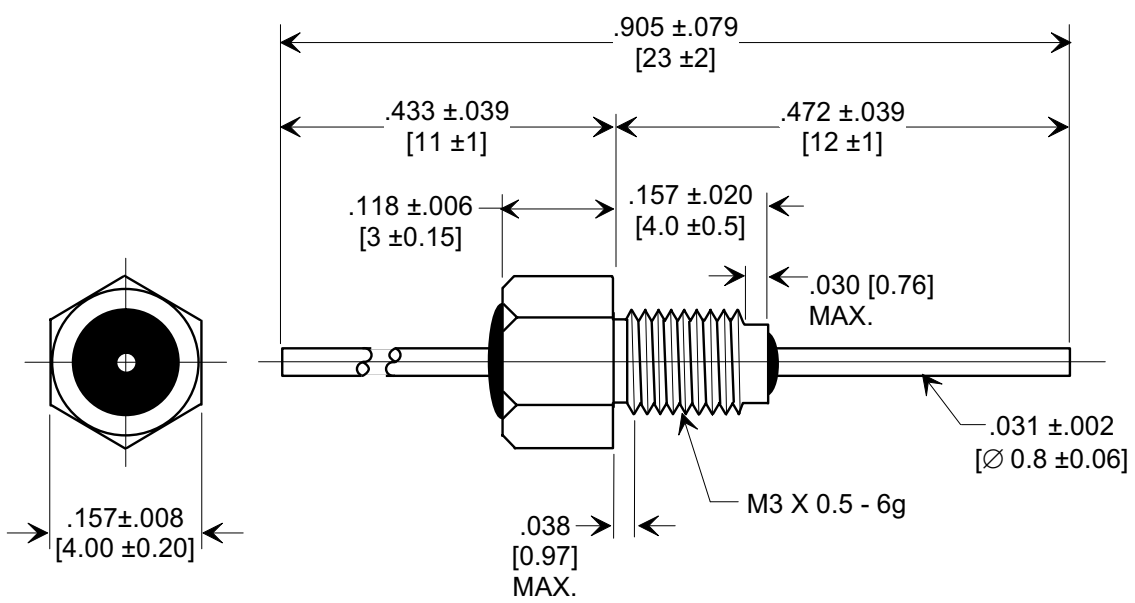
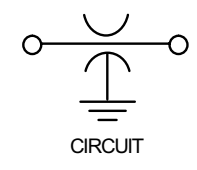
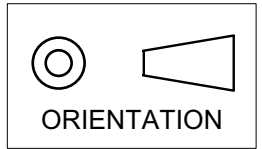


MARKETING SALES DRAWING
DIMENSIONS IN INCHES - DO NOT SCALE THIS DRAWING
DIMENSIONS IN METRIC []

Electrical Testing
per Tusonix standard
test plans and Mil-Std-202
Test Methods.



- NOTES:
1. OPERATING TEMP. RANGE: -55°C TO +125°C.
 2. SILVER PLATED CASE, LEAD, LOCK WASHER, AND HEX NUT.
 3. MAX. RECOMMENDED MOUNTING TORQUE : 0.23 Nm.
 4. MAX. RECOMMENDED SOLDERING TEMPERATURE : 260° C. SEE INSTALLATION RECOMMENDATIONS.
 5. TUSONIX TRADEMARK AND PART VARIATION NUMBER STAMPED ON HEX FLATS.

STYLE	VAR.	CAP.(pf)	TOLERANCE	DC WORKING VOLTAGE		DC CURRENT (AMPS)	MIN. NO LOAD INSERTION LOSS (db) @ 25°C PER MIL-STD-220				
				85°C	125°C		1 MHz	10 MHz	100 MHz	1 GHz	10 GHz
4400	099	50,000	GMV	50	50	10	15	35	45	70	----

X-2015 Rev-0 REVISION RECORD Original Release C.O. 20000104-1-09 ORIENTATION SYMBOL ADDED DWV(VDC) 500 DELETED 1 MHz 15 WAS 1MHz ---- 1 GHz 70 WAS 1GHz 60 L.E. 04-14-00 20000410-2-08	0	Title BUSHING STYLE EMI FILTER Drawn S.M. 01-07-00 Scale 5 X Approved J.Mc. 01-07-00 A
	1	
	--TOLERANCES-- Unless Otherwise Specified DECIMAL ± NOTED ANGLES ±	
	TUSONIX TUCSON, ARIZONA	

4400-099