

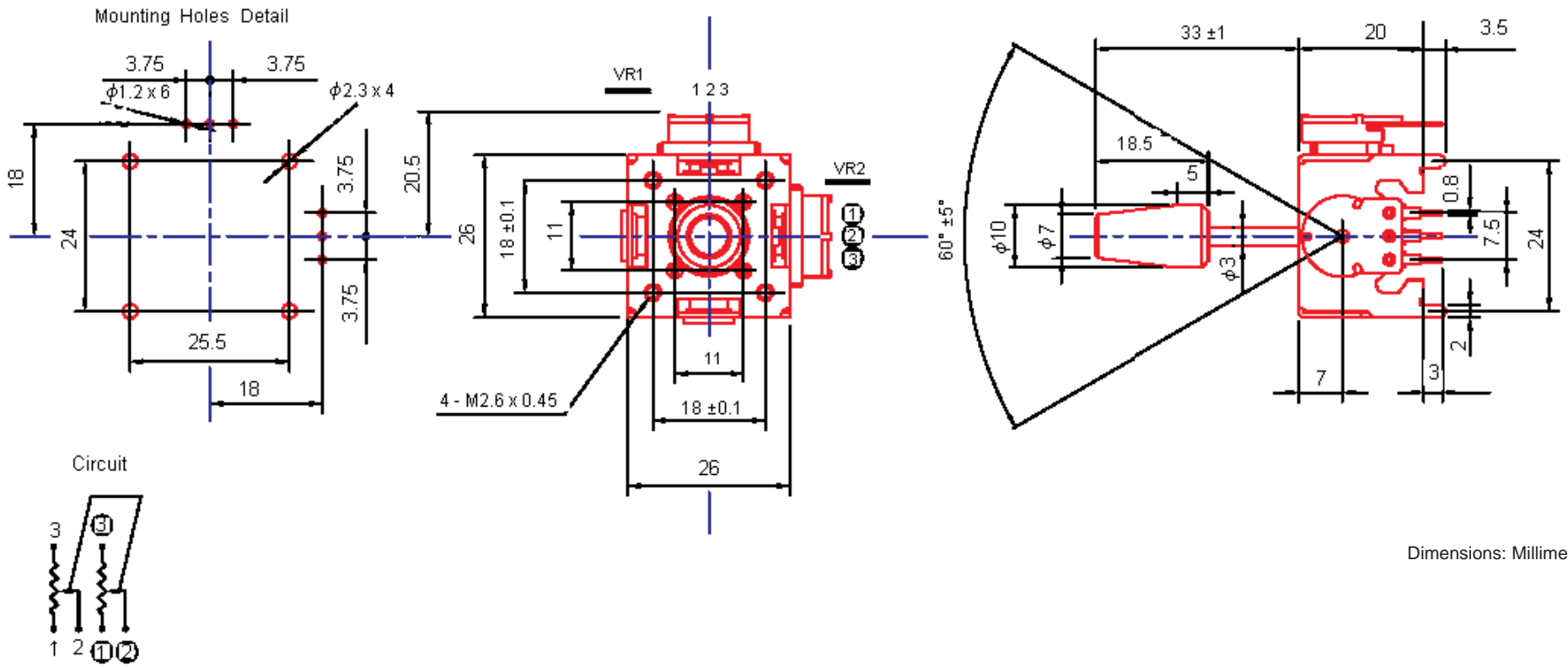


PART NO.

STD-2607AR

REVISIONS

ECN #	REV	DESCRIPTION	DRAWN	DATE	CHECKD	DATE	APPRVD	DATE
-	A	RELEASED	Venkat	17/4/09	Veena	17/4/09	Farnell	30/04/09



Dimensions: Millimetres

This data sheet and its contents (the "Information") belong to the Premier Farnell Group (the "Group") or are licensed to it. No licence is granted for the use of it other than for information purposes in connection with the products to which it relates. No licence of any intellectual property rights is granted. The Information is subject to change without notice and replaces all data sheets previously supplied. The Information supplied is believed to be accurate but the Group assumes no responsibility for its accuracy or completeness, any error in or omission from it or for any use made of it. Users of this data sheet should check for themselves the information and the suitability of the products for their purpose and not make any assumptions based on information included or omitted. Liability for loss or damage resulting from any reliance on the Information or use of it (including liability resulting from negligence or where the Group was aware of the possibility of such loss or damage arising) is excluded. This will not operate to limit or restrict the Group's liability for death or personal injury resulting from its negligence. SPC MULTICOMP is the registered trademark of the Group. © Premier Farnell plc 2009.

TOLERANCES:
UNLESS OTHERWISE SPECIFIED, DIMENSIONS ARE FOR REFERENCE PURPOSES ONLY.

DRAWN BY:	DATE:
Venkat	17/04/09
CHECKED BY:	DATE:
Veena	17/04/09
APPROVED BY:	DATE:
Farnell	30/04/09

DRAWING TITLE:			
Joystick Controller - Manual Type			
SIZE	DWG NO.	ELECTRONIC FILE	REV
A	M10002126	73740_DWG	A
SCALE: NTS		U.O.M.: mm	SHEET: 1 OF 3



PART NO.

STD-2607AR

REVISIONS

ECN #	REV	DESCRIPTION	DRAWN	DATE	CHECKD	DATE	APPRVD	DATE
-	A	RELEASED	Venkat	17/4/09	Veena	17/4/09	Farnell	30/04/09

Specifications:

Electrical characteristics:

Total resistance : 10×2 Kohms $\pm 20\%$.
 Resistance taper : B taper, 40 to 60% at the lever vertical position.
 Power rating : 0.1W.

Residual resistance:

Between terminal 1 and 2 : Less than 200 ohms.
 Between terminal 2 and 3 : Less than 200 ohms.
 Sliding noise (JIS method) : Less than 200mV.
 Insulation resistance : More than 50Mohms at 500V dc.
 Withstanding voltage : 500V ac for 1 minute.
 Effective electrical angle : $45^\circ \pm 5^\circ$.
 Tracking error : ± 2 dB maximum at the centre position (VR1 to VR2).

Mechanical characteristics:

Lever movement angle : $60^\circ \pm 5^\circ$.
 Maximum operating force : 20mNm (200gf).
 Minimum lever stopper strength : 1Nm (10KgfcM).
 Minimum lever push-pull strength : 100N (10Kgf).
 Lever play angle : $\pm 1.5^\circ$.

Endurance:

Operating life : 300,000 cycles.

Operating temperature range:

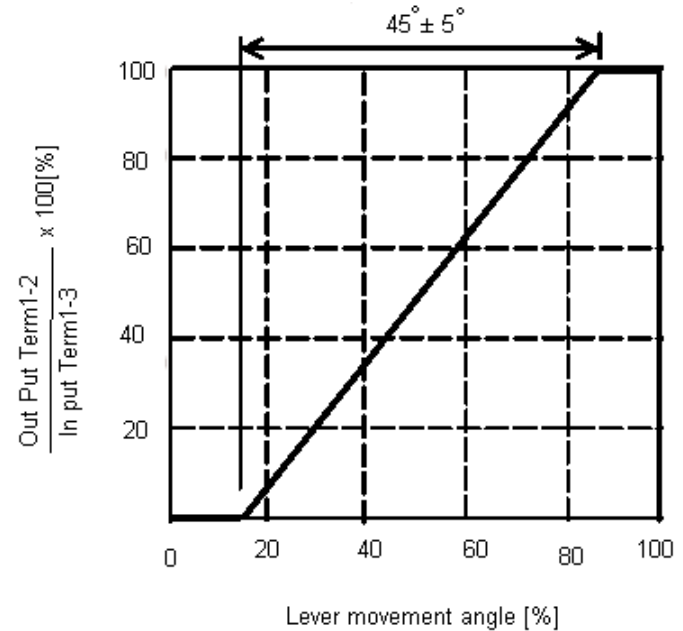
Operating temperature range : -10 to 70°C.
 Storage temperature range : -20 to 70°C.

Standard

: JIS C6443

Remarks:

Resistance to soldering heat is 3 seconds at 300°C.
 Mounting chassis is less than 0.5N (5kgfcM).
 This VR conforms to a RoHS instruction controlled substance.



This data sheet and its contents (the "Information") belong to the Premier Farnell Group (the "Group") or are licensed to it. No licence is granted for the use of it other than for information purposes in connection with the products to which it relates. No licence of any intellectual property rights is granted. The Information is subject to change without notice and replaces all data sheets previously supplied. The Information supplied is believed to be accurate but the Group assumes no responsibility for its accuracy or completeness, any error in or omission from it or for any use made of it. Users of this data sheet should check for themselves the Information and the suitability of the products for their purpose and not make any assumptions based on information included or omitted. Liability for loss or damage resulting from any reliance on the Information or use of it (including liability resulting from negligence or where the Group was aware of the possibility of such loss or damage arising) is excluded. This will not operate to limit or restrict the Group's liability for death or personal injury resulting from its negligence. SPC MULTICOMP is the registered trademark of the Group. © Premier Farnell plc 2008.

TOLERANCES:

UNLESS OTHERWISE SPECIFIED, DIMENSIONS ARE FOR REFERENCE PURPOSES ONLY.

DRAWN BY:	DATE:
Venkat	17/04/09
CHECKED BY:	DATE:
Veena	17/04/09
APPROVED BY:	DATE:
Farnell	30/04/09

DRAWING TITLE:

Joystick Controller - Manual Type

SIZE	DWG NO.	ELECTRONIC FILE	REV
A	M10002126	73740_DWG	A
SCALE: NTS	U.O.M.: mm	SHEET: 2 OF 3	



PART NO.

STD-2607AR

REVISIONS

ECN #	REV	DESCRIPTION	DRAWN	DATE	CHECKD	DATE	APPRVD	DATE
-	A	RELEASED	Venkat	17/4/09	Veena	17/4/09	Farnell	30/04/09

Part Number Table

Description	Part Number
Joystick, Absolute	STD-2607AR

<http://www.farnell.com>

<http://www.newark.com>

<http://www.cpc.co.uk>

This data sheet and its contents (the "Information") belong to the Premier Farnell Group (the "Group") or are licensed to it. No licence is granted for the use of it other than for information purposes in connection with the products to which it relates. No licence of any intellectual property rights is granted. The Information is subject to change without notice and replaces all data sheets previously supplied. The Information supplied is believed to be accurate but the Group assumes no responsibility for its accuracy or completeness, any error in or omission from it or for any use made of it. Users of this data sheet should check for themselves the Information and the suitability of the products for their purpose and not make any assumptions based on information included or omitted. Liability for loss or damage resulting from any reliance on the Information or use of it (including liability resulting from negligence or where the Group was aware of the possibility of such loss or damage arising) is excluded. This will not operate to limit or restrict the Group's liability for death or personal injury resulting from its negligence. SPC MULTICOMP is the registered trademark of the Group. © Premier Farnell plc 2008.

TOLERANCES:

UNLESS OTHERWISE SPECIFIED, DIMENSIONS ARE FOR REFERENCE PURPOSES ONLY.

DRAWN BY:	DATE:
Venkat	17/04/09
CHECKED BY:	DATE:
Veena	17/04/09
APPROVED BY:	DATE:
Farnell	30/04/09

DRAWING TITLE:			
Joystick Controller - Manual Type			
SIZE	DWG NO.	ELECTRONIC FILE	REV
A	M10002126	73740_DWG	A
SCALE: NTS		U.O.M.: mm	SHEET: 3 OF 3