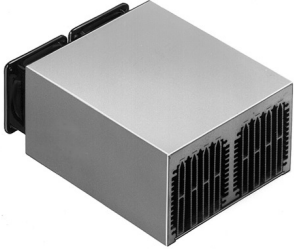


Data sheet Product LA710012

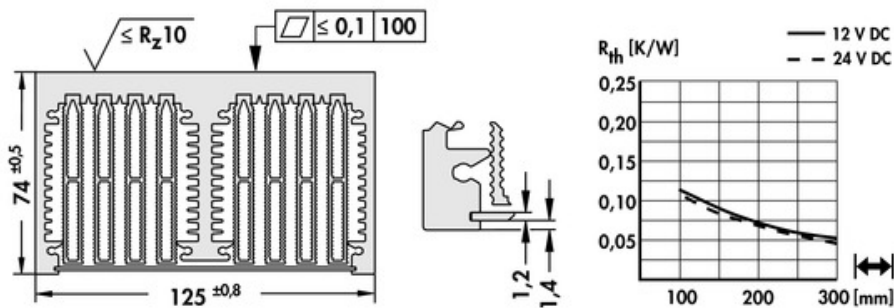


Cooling aggregates > Cooling aggregates with axial fan
125 x 74 mm, with axial fan

Features

width:	125 mm
height:	74 mm
length:	100 mm
thermal resistance:	0.11 - 0.05 K/W
surface:	<ul style="list-style-type: none"> • raw degreased aluminium (by the metre raw aluminium) • mounting area(s) milled flat
operating voltage of the fan motor:	<ul style="list-style-type: none"> • 12 V DC • 24 V DC

Technical Drawing



Fan

type:	ebmpapst 612 NHH-118
dimensions:	60x60x25 mm
tension:	12 V DC
power inout:	2.9 W
max. air volume:	56 m³/h
temperature range:	-20°C... +70°C
speed:	6,800 min⁻¹
noise level:	41 dB(A)
weight:	66 g
failure rate (L ₁₀):	L₁₀ > 60,000 h (40°C)
type:	ebmpapst 614 NHH-119
dimensions:	60x60x25 mm
tension:	24 V DC
power inout:	2.9 W
max. air volume:	56 m³/h
temperature range:	-20°C... +70°C
speed:	6,850 min⁻¹
noise level:	41 dB(A)
weight:	66 g
failure rate (L ₁₀):	L₁₀ > 60,000 h (40°C)