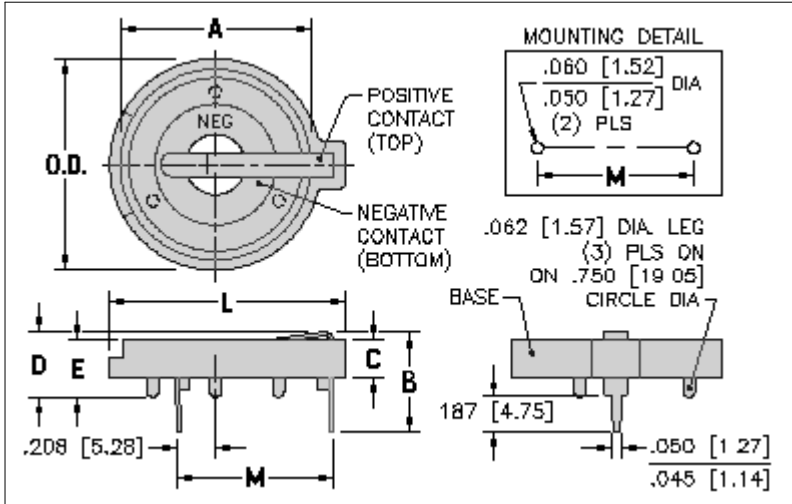


24mm Lithium Coin Cell Battery Holders

Thru Hole Mount (THM)



Cat. No.	Cells	Dims.	A	B	C	D	E	L	O.D.	M
105	One	inch	.985	.513	.195	.335	.295	1.219	1.093	.807
		mm	25,00	13,03	4,95	8,50	7,49	30,96	27,79	20,50
1025	Two	inch	.985	.630	.312	.452	.412	1.219	1.093	.807
		mm	25,00	16,00	7,92	11,48	10,46	30,96	27,76	20,50
1025-7	One	inch	.985	.681	.312	.503	.412	1.219	1.093	.807
		mm	25,00	17,29	7,92	12,77	10,46	30,96	27,76	20,50
Positive & Negative Contacts: .020" (0,5mm) Spring Steel, Tin Nickel Plate										
Base Material: PBT UL 94V-0, Black					Temp. Range: -60 °F to +293 °F (-50 °C to +145 °C)					

Battery Cross Reference	
Duracell, Eveready, Panasonic, Sony, Toshiba, Varta, Ray-O-Vac, Sanyo, Seiko	
CR2430, DL2430, CR2450†, DL2450†, CR2477††	
†Cat. No. 1025 (1) Cell Only; ††Cat. No.1025-7 Only	