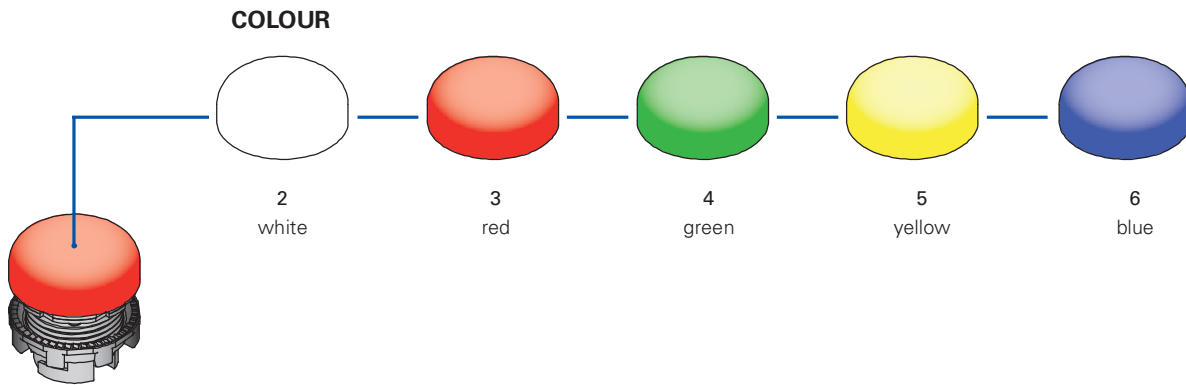


## Selection diagram



Indicator lights code structure

## E2 1ILA210

Lens shape

**A** flat and smooth

Lens colour

- 0** without lens
- 2** white
- 3** red
- 4** green
- 5** yellow
- 6** blue

Marking

- 0** without marking
- GB7** RUN
- GB8** FAULT
- ... ..

Other markings on request. See page 60

**Attention!** The feasibility of a code number does not mean the effective availability of a product. Please contact our sales office.



### Main features

- Protection degree IP67 and IP69K
- Customizing possibility
- Removable coloured lens

### Markings and quality marks:



### Technical data

#### General data

Protection degree:	IP67 according to IEC 60529 IP69K according to DIN 40050
Ambient temperature:	-25°C +70°C
Illumination type:	provided with LED holder E2 LP, E2LF series
Ring driving torque:	2 ... 2,5 Nm
Utilization requirements:	see page 61

#### In conformity with standards:

IEC 60947-1, IEC 60947-5-1, IEC 60204-1, EN 60947-1, EN 60947-5-1, EN 60204-1, UL 508, CSA 22-2 N°14

#### In conformity with requirements requested by:

Low Voltage Directive 2006/95/EC, Machinery Directive 2006/42/EC and Electromagnetic Compatibility 2004/108/EC.

### General characteristics

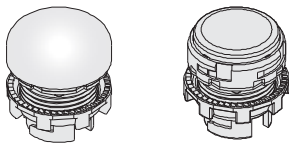
#### Protection degree IP67 and IP69K

Designed to be employed also in severe environment conditions, Pizzato Elettrica pushbuttons have protection degree IP67 and IP69K, suitable for use in machineries subjected to intense washing with high pressure and high temperature water jets.

#### Customizing possibilities

In order to suit the various requests and needs of the customers, Pizzato Elettrica offers the possibility to customize the EROUND control and signalling devices: the rings can be requested in different colours (gold satinized, bright black chrome, white, black and satin chrome), while the lens can be customized with inscriptions, symbols and colours.

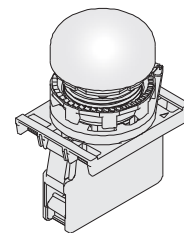
### Indicator lights lens selection table



Actuator colour and marking	With lens	Without lens
Without lens	/	E2 11LA010
white	E2 11LA210	-
red	E2 11LA310	-
green	E2 11LA410	-
yellow	E2 11LA510	-
blue	E2 11LA610	-

Items with code on the **green** background are available in stock

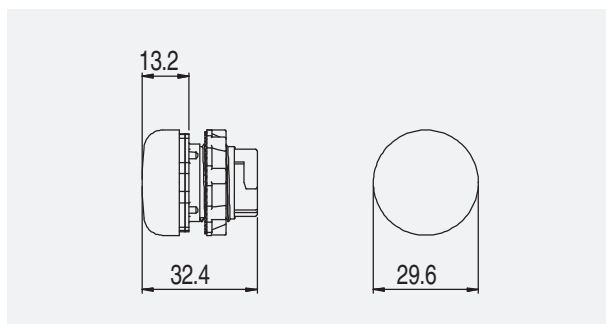
### Complete units with indicator lights



Actuator colour and marking	Contacts			Article
	pos 2	pos 3	pos 1	
white	-	LED	-	E2 AC-DXBC0200 E2 11LA210 + E2 1BAC11 + E2 LP1A2V1
red	-	LED	-	E2 AC-DXBC0201 E2 11LA310 + E2 1BAC11 + E2 LP1A3V1
green	-	LED	-	E2 AC-DXBC0202 E2 11LA410 + E2 1BAC11 + E2 LP1A4V1
yellow	-	LED	-	E2 AC-DXBC0203 E2 11LA510 + E2 1BAC11 + E2 LP1A2V1
blue	-	LED	-	E2 AC-DXBC0204 E2 11LA610 + E2 1BAC11 + E2 LP1A6V1

→ For the contact block and LED holders characteristics see the respective chapters.

## Dimensions



All measures in the drawings are in mm

→ 2D and 3D files available on [www.pizzato.it](http://www.pizzato.it)

## E2 11L indicator light lenses

10 pcs. packs

	Article	Description	Colours
	VE LN2A20	white indicator light lens, without marking	○
	VE LN2A30	red indicator light lens, without marking	●
	VE LN2A40	green indicator light lens, without marking	●
	VE LN2A50	yellow indicator light lens, without marking	●
	VE LN2A60	blue indicator light lens, without marking	●
	VE LN2A2●●●	white indicator light lens, with marking	○
	VE LN2A3●●●	red indicator light lens, with marking	●
	VE LN2A4●●●	green indicator light lens, with marking	●
	VE LN2A5●●●	yellow indicator light lens, with marking	●
	VE LN2A6●●●	blue indicator light lens, with marking	●

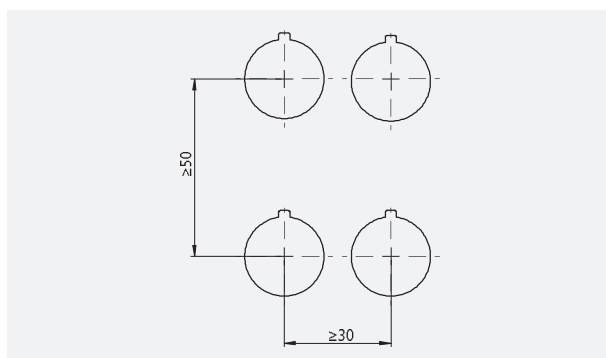
### For ordering E2 11L indicator lights lenses with marking:

substitute the ●●● with the marking code in the table at page 60.





Example: indicator light lens with marking "4"; red colours

VE LN 2A2●●● → VE LN 2A2L54

## Assembling minimum distances



## LED and lens colours combinations

LED colour	Lens colour
 white	white / yellow
 red	red
 green	green
 blue	blue

Note: LED colours combined with lens colours different from the indicated ones could result in a not expected final colour.

## Accessories

→ [More ACCESSORIES at page 57.](#)

All measures in the drawings are in mm

Items with code on the **green** background are available in stock

