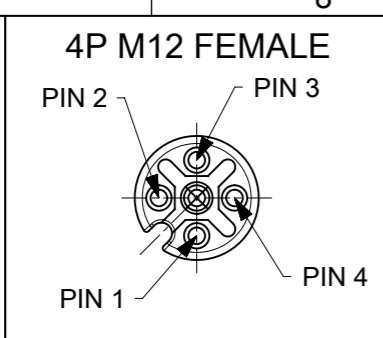
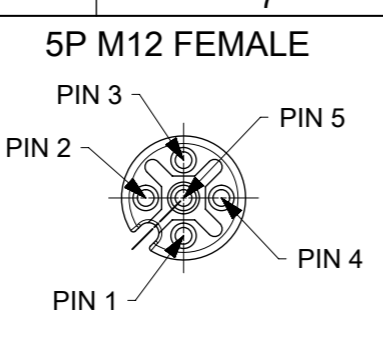


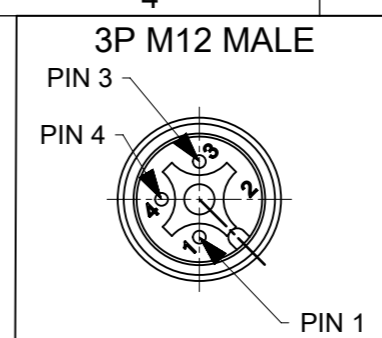
PIN	WIRE COLOR
1	BN
2	-
3	BU
4	BK
5	-



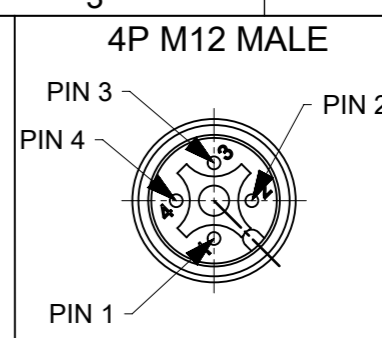
PIN	WIRE COLOR
1	BN
2	WH
3	BU
4	BK
5	-



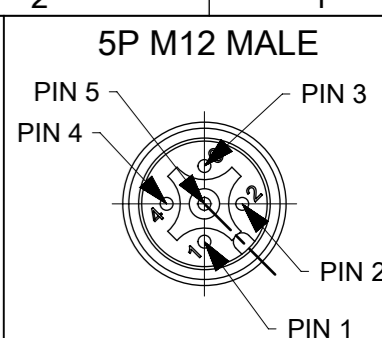
PIN	WIRE COLOR
1	BN
2	WH
3	BU
4	BK
5	GY



PIN	WIRE COLOR
1	BN
2	-
3	BU
4	BK
5	-

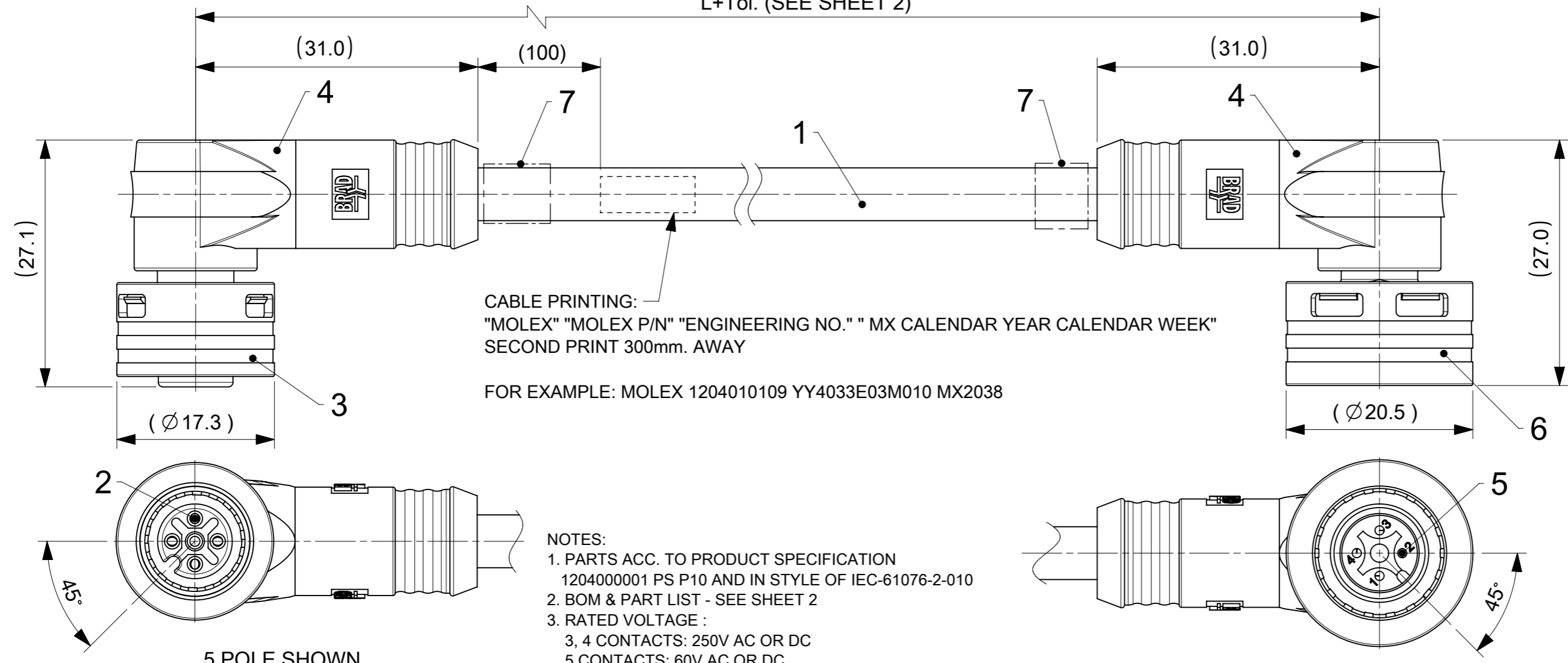


PIN	WIRE COLOR
1	BN
2	WH
3	BU
4	BK
5	-



PIN	WIRE COLOR
1	BN
2	WH
3	BU
4	BK
5	GY

L+Tol. (SEE SHEET 2)



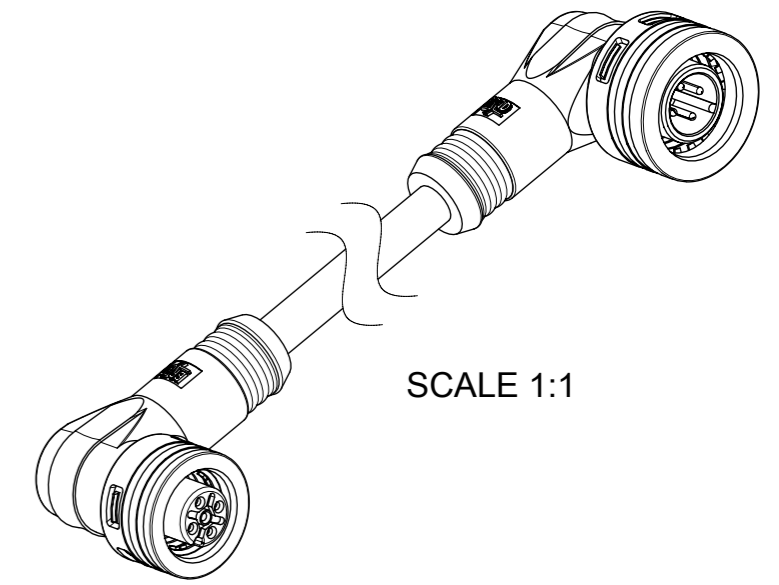
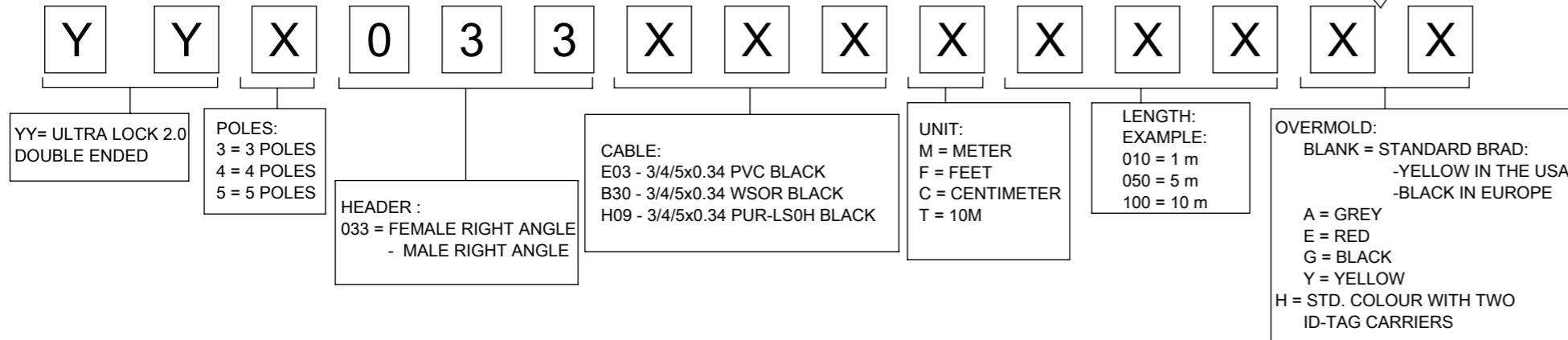
CABLE PRINTING:
 "MOLEX" "MOLEX P/N" "ENGINEERING NO." " MX CALENDAR YEAR CALENDAR WEEK"
 SECOND PRINT 300mm. AWAY

FOR EXAMPLE: MOLEX 1204010109 YY4033E03M010 MX2038

- NOTES:**
- PARTS ACC. TO PRODUCT SPECIFICATION
1204000001 PS P10 AND IN STYLE OF IEC-61076-2-010
 - BOM & PART LIST - SEE SHEET 2
 - RATED VOLTAGE :
3, 4 CONTACTS: 250V AC OR DC
5 CONTACTS: 60V AC OR DC
RATED CURRENT:
3, 4, 5 CONTACTS: 4A, DERATING HAS TO BE CONSIDERED
OVERVOLTAGE CATEGORY: 3
POLLUTION DEGREE: 3, ONLY IN MATED AND LOCKED CONDITION
 - PROTECTION CLASS: IP 67, ONLY IN MATED AND LOCKED CONDITION
 - TEMPERATURE RANGE:
TEMPERATURE PLUG/SOCKET: -40 °C TO +85 °C
TEMPERATURE CABLE: SEE CABLE LIST
 - MECHANICAL OPERATIONS: 100 CYCLES
 - MATES WITH ULTRA-LOCK M12 RECEPTACLES
 - PACKAGING: THE CORDSETS ARE SINGLE PACKED IN PLASTIC BAGS AND DELIVERED IN CARTON BOXES
 - UL CSA FILE REGISTRATION PENDING

FUNCTIONAL SYMBOLS	THIS DRAWING CONTAINS INFORMATION THAT IS PROPRIETARY TO MOLEX ELECTRONIC TECHNOLOGIES, LLC AND SHOULD NOT BE USED WITHOUT WRITTEN PERMISSION		CURRENT REV DESC: NOTES AND CABLE LIST UPDATED		molex			
	mm	SCALE 2:1						
DIVISIONAL SYMBOLS	GENERAL TOLERANCES (UNLESS SPECIFIED)		EC NO: 736602		CSE U12 4-5P AC FE MA RA XM DE UNSH BK			
	ANGULAR TOL ± 1.0°		DRWN: RSCHIEBER 2023/01/27					
	4 PLACES ±	3 PLACES ±		CHK'D: RSILLER 2023/01/31		PRODUCT CUSTOMER DRAWING		
	2 PLACES ± 0.05	1 PLACE ± 0.3		APPR: RSILLER 2023/01/31				
	0 PLACES ± 0.5	DRAFT WHERE APPLICABLE MUST REMAIN WITHIN DIMENSIONS		INITIAL REVISION: DRWN: MDHARMANTI 2021/03/18 APPR: RSILLER 2022/10/14		DOCUMENT NUMBER 1204010109		
THIRD ANGLE PROJECTION		DRAWING A3-SIZE	SERIES 120401	MATERIAL NUMBER SEE SHEET 2	CUSTOMER GENERAL MARKET	DOC TYPE PSD	DOC PART 000	REVISION A1

PART No MATRIX



CABLE LIST

3P	4P	5P	CABLE TYPE	DESCRIPTION	MATERIAL	FINISH/COLOR	FIXED INSTALLATION *		FLEXIBLE INSTALLATION **		DRAG CHAIN	
							MIN.	MAX.	MIN.	MAX.	MIN.	MAX.
X			E03	CABLE PVC, BLK 3X0.34MM D4.9	PVC	BLACK	-30°C	+80°C	-10°C	+80°C	NOT SUITABLE	
	X			CABLE PVC, BLK 4X0.34MM D5.4								
		X		CABLE PVC, BLK 5X0.34MM(UL/CSA) D5.8								
X			B30	CABLE 3X0.34 TPU BK D4.80 TPE UNSH DCS	PUR WSOR	BLACK	-40°C	+90°C	-25°C	+80°C	-5°C	+60°C
	X			CABLE 4X0.34 TPU BK D5.10 TPE UNSH DCS								
		X		CABLE 5X0.34 TPU BK D5.50 TPE UNSH DCS								
X			H09	CABLE PUR;BLK 3X0.34MM-LSOH;UL D4.4	PUR-LS0H	BLACK	-40°C	+80°C	-25°C	+80°C	+5°C	+60°C
	X			CABLE PUR;BLK 4X0.34MM-LSOH;UL D4.7								
		X		CABLE PUR BLK 5X0.34MM LSZH UL D5.0								

* FIXED POSITION WITHOUT ACCIDENTAL CRUSHING OF VIBRATION.
 ** FREE MOTION WITHOUT PERIODIC RECURRENCE OR FORCED GUIDANCE.

PART LIST

MOLEX NO.	ENGINEERING NO.	LENGHT (mm)
1204010109	YY4033E03M010	1000
1204010110	YY4033E03M020	2000
1204010111	YY4033E03M050	5000
1204010112	YY4033E03M100	10000
1204010113	YY4033B30M010	1000
1204010114	YY4033B30M020	2000
1204010115	YY4033B30M050	5000
1204010116	YY4033B30M100	10000
1204010117	YY4033H09M010	1000
1204010118	YY4033H09M020	2000
1204010119	YY4033H09M050	5000
1204010120	YY4033H09M100	10000
1204010121	YY5033E03M010	1000
1204010122	YY5033E03M020	2000
1204010123	YY5033E03M050	5000
1204010124	YY5033E03M100	10000
1204010125	YY5033B30M010	1000
1204010126	YY5033B30M020	2000
1204010127	YY5033B30M050	5000
1204010128	YY5033B30M100	10000
1204010129	YY5033H09M010	1000
1204010130	YY5033H09M020	2000
1204010131	YY5033H09M050	5000
1204010132	YY5033H09M100	10000

LENGTH	TOLERANCE
0m-1m	+40 mm
>1m-5m	+60 mm
>5m-10m	+80 mm
>10m-20m	+140 mm
>20m-30m	+160 mm
>30m	+1% length

BILL OF MATERIAL

3P	4P	5P	ITEM	QTY	DESCRIPTION	MATERIAL	FINISH/COLOR
X	X	X	1	-	CABLE	SEE CABLE LIST	SEE CABLE LIST
X	X	X	2	3/4/5	CONTACT 10 FE STA AU	BRASS	GOLD OVER NICKEL PLATED
X			3	1	PLG U12 3P AC FE PA UNSH	-	-
	X				PLG U12 4P AC FE PA UNSH		
		X			PLG U12 5P AC FE PA UNSH		
X	X	X	4	2	OVERMOLD	TPC	SEE MATRIX
X	X	X	5	3/4/5	CONTACT 10 MA STA NI AU	COPPER ALLOY	GOLD OVER NICKEL PLATED
X			6	1	PLG U12 3P AC MA PA UNSH WT	-	-
	X				PLG U12 4P AC MA PA UNSH WT		
		X			PLG U12 5P AC MA PA UNSH WT		
IF "H" IS IN MATRIX-END			7	2	I/D CARRIER DIA 4-7MMX30MM	PVC	TRANSPARENT

FUNCTIONAL SYMBOLS	THIS DRAWING CONTAINS INFORMATION THAT IS PROPRIETARY TO MOLEX ELECTRONIC TECHNOLOGIES, LLC AND SHOULD NOT BE USED WITHOUT WRITTEN PERMISSION	SCALE	CURRENT REV DESC: NOTES AND CABLE LIST	
	mm	2:1	UPDATED	
DIVISIONAL SYMBOLS	GENERAL TOLERANCES (UNLESS SPECIFIED)	EC NO: 736602		
	ANGULAR TOL ± 1.0°	DRWN: RSCHIEBER		
FUNCTIONAL SYMBOLS	4 PLACES ±	2023/01/27		
	3 PLACES ±	2023/01/31		
	2 PLACES ± 0.05	2023/01/31		
	1 PLACE ± 0.3	2021/03/18		
FUNCTIONAL SYMBOLS	0 PLACES ± 0.5	2022/10/14		
	DRAFT WHERE APPLICABLE MUST REMAIN WITHIN DIMENSIONS	THIRD ANGLE PROJECTION	DRAWING	SERIES
		A3-SIZE	120401	MATERIAL NUMBER
		SEE PART LIST		CUSTOMER
		GENERAL MARKET		SHEET NUMBER
				2 OF 2