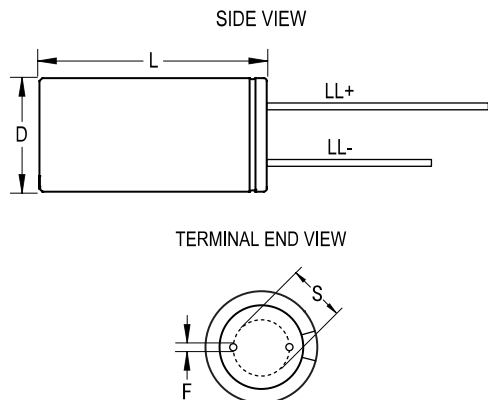


ESY, Aluminum Electrolytic, 47 uF, 20%, 25 VDC, -40/+105°C, Lead Spacing = 2mm



General Information	
Supplier:	KEMET
Series:	ESY
Dielectric:	Aluminum Electrolytic
Description:	LowZ Single Ended Aluminum Electrolytic
Features:	Low Z
RoHS:	Yes
Lead:	Wire Leads
AEC-Q200:	No

Dimensions	
D	5mm +/-0.5mm
L	11mm +1.5mm
S	2mm +/-0.5mm
LL Negative	15mm MIN
LL Positive	20mm MIN
F	0.5mm NOM

Packaging Specifications	
Packaging:	Bulk, Bag
Packaging Quantity:	10000

Specifications	
Capacitance:	47 uF
Capacitance Tolerance:	20%
Voltage DC:	25 VDC, 32 VDC (Surge)
Temperature Range:	-40/+105°C
Rated Temperature:	105°C
Life:	2000 Hrs
Dissipation Factor:	14.00%
Resistance:	0.3 Ohms (100kHz)
Ripple Current:	250 mAmps (100kHz 105C)
Leakage Current:	11.75 uA (2min 20°C)
Impedance Ratio at -25C:	2
Impedance Ratio at -40C:	3